

# Beer Dispensers



**DBD-1E**  
 Height ..... 51.50"  
 /56.50" casters  
 Length..... 25.25"  
 Depth..... 33.75"



**DBD-4**  
 Height ..... 51.50"  
 Length ..... 90.13"  
 Depth ..... 25.13"



**DBD-2E2**  
 Height ..... 56.25"  
 Length..... 25.25"  
 Depth..... 25.13"



**DBD-3**  
 Height ..... 51.50"  
 Length ..... 69.13"  
 Depth ..... 25.13"

## Features

- 24" deep stainless steel top
- Top guard rail on DBD-1
- Pre painted black steel exterior
- Stainless steel interior floor
- Self closing glass doors with safety stop at 120 degrees and recesses handles
- Door locks
- Heavy duty lift off chrome plated hinges
- Foamed in place high density CFC free polyurethane foam insulation provides a solid structure and low energy consumption
- Forced air evaporator for rapid temperature "Pull Down"
- Self contained heavy duty 134a condensing unit
- Bumpers on back for protection
- UL Classified to ANSI/NSF 7

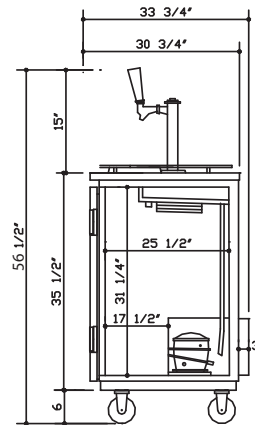
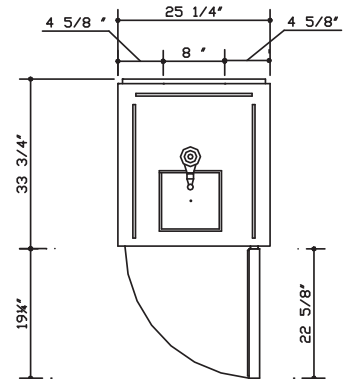
Model No.	Description	Voltage	Amps	Temp	HP	Est. Ship Weight
DBD-1E	1 Dispenser/1 Tower	115	4.7	33°F - 41°F	1/5	230#
DBD-1E-2	2 Dispensers/1 Tower	115	4.7	33°F - 41°F	1/5	230#
DBD-2E2	2 Dispenser/2 Tower	115	8.2	33°F - 41°F	1/3	341#
DBD-2E2-2	4 Dispenser/2 Tower	115	8.2	33°F - 41°F	1/3	341#
DBD-3	2 Dispenser/2 Tower	115	8.2	33°F - 41°F	1/3	425#
DBD-3-2	4 Dispenser/2 Tower	115	8.2	33°F - 41°F	1/3	425#
DBD-4	4 Dispenser/2 Tower	115	10.4	33°F - 41°F	1/3	525#

# Technical Data / Beer Dispensers



## DBD-1E

Model #	DBD-1E	DBD-2E2	DBD-3	DBD-4
<b>Outside Dimensions</b>				
Depth	33.25"	25.13"	25.13"	25.13"
Length	25.25"	56.25"	69.13"	90.13"
Height	51.5"/56.5" with caster	51.50"	51.50"	51.50"
Door Size	31.375" x 22.625"	31.375" x 19.25"	31.625" x 22.50"	31.625" x 22.50"
Door Type	1 swing	2 swing	2 swing	3 swing
<b>Inside Dimensions</b>				
Depth	25.5"	20.375"	20.375"	20.375"
Length	21.25"	52.25"	65.13"	86.13"
Height	31.25"	31.75"	31.75"	31.75"
# of Kegs	1	2	3	-
# of Taps	1 (2 taps DBD1E-2)	2 (4 taps DBD2E2-2)	2(4 taps DBD3-2)	4
Capacity: Cubic Foot	9.81	14.5	19	26
<b>Specifications</b>				
Operating Temperature	33°F-41°F	33°F-41°F	33°F-41°F	33°F-41°F
Refrigerant	134a	134a	134a	134a
Compressor Size HP	1/5	1/3	1/3	1/3
Voltage	115	115	115	115
Amperage	4.7	8.2	8.2	10.4
Cord and Plug	yes	yes	yes	yes
<b>Shipping Dimensions</b>				
Depth	30.00"	30.00"	30.00"	30.00"
Length	42.00"	64.00"	73.00"	93.00"
Height	44.00"	44.00"	44.00"	44.00"
Gross Weight lbs.	230	341	425	525
Cubic feet	26	40	55	71



- Cases are designed to operate at 75°F and 55% relative humidity.
- Specification subject to change without notice.

