

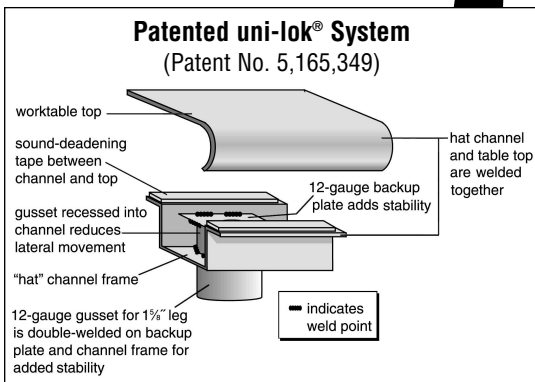
Specification Sheet

Short Form Specifications

Blendport worktables, Budget series, model _____.
Top constructed of heavy gauge type 430 stainless steel with 1½" roll on front and rear, and sides turned down 90°. Undershef is adjustable and constructed of heavy gauge type 430 stainless steel with marine edge. Top reinforced with hat channels and sound deadened. Constructed with uni-lok® patented gusset system with the gussets recessed into the hat channels to reduce lateral movement. Legs are 1½" O.D. stainless steel, with galvanized gussets and 1" stainless steel adjustable bullet feet.



worktable with flat top and undershef



Item No.: _____
Project No.: _____
S.I.S. No.: _____

Worktables with Flat Top and Stainless Steel Base with Undershef—Budget Series

MODELS:

- | | | |
|-------------------------------------|-------------------------------------|-------------------------------------|
| <input type="checkbox"/> BPT-2424SB | <input type="checkbox"/> BPT-2484SB | <input type="checkbox"/> BPT-3060SB |
| <input type="checkbox"/> BPT-2430SB | <input type="checkbox"/> BPT-2496SB | <input type="checkbox"/> BPT-3072SB |
| <input type="checkbox"/> BPT-2436SB | <input type="checkbox"/> BPT-3024SB | <input type="checkbox"/> BPT-3084SB |
| <input type="checkbox"/> BPT-2448SB | <input type="checkbox"/> BPT-3030SB | <input type="checkbox"/> BPT-3096SB |
| <input type="checkbox"/> BPT-2460SB | <input type="checkbox"/> BPT-3036SB | |
| <input type="checkbox"/> BPT-2472SB | <input type="checkbox"/> BPT-3048SB | |

Tabletop

- Patented uni-lok® gusset system (patent #5,165,349): gussets are recessed into hat channel, reducing lateral movement.
- Top reinforced with welded-on hat channel.
- Sound-deadened between top and channels.
- 1½" (38mm)-diameter 180° rolled edges on front and rear. Ends are turned down 90° providing for flush installations when required.
- Heavy gauge type 430 polished stainless steel.

Adjustable Undershef

- Heavy gauge stainless steel.
- Gusset welded to each corner.
- Heavy duty marine edge design.

Legs—1½" (41mm)-diameter

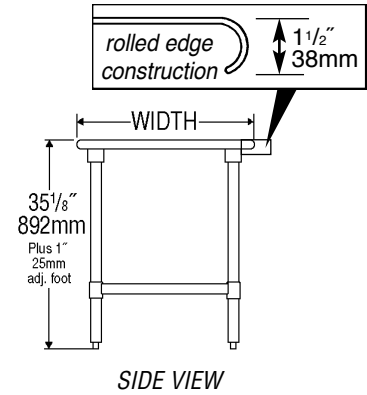
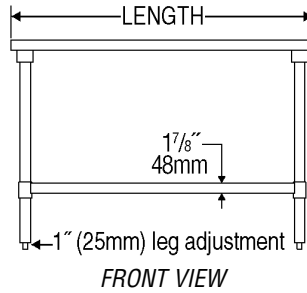
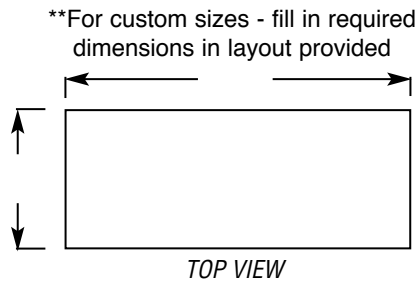
- Tables 96" (2438mm) and longer come with six legs or more.
- Heavy gauge stainless steel.
- 1" (25mm) adjustable stainless steel feet*.

* Optional casters available. Consult factory.



Item No.: _____
Project No.: _____
S.I.S. No.: _____

Worktables with Flat Top and Stainless Steel Base with Undershelf—Budget Series



model #	# of legs	width		length		weight	
		in.	mm	in.	mm	lbs.	kg
BPT-2424SB	4	24"	610	24"	610	42	19.0
BPT-2430SB	4	24"	610	30"	762	45	20.4
BPT-2436SB	4	24"	610	36"	914	50	22.7
BPT-2448SB	4	24"	610	48"	1219	61	27.7
BPT-2460SB	4	24"	610	60"	1524	71	32.2
BPT-2472SB	4	24"	610	72"	1829	82	37.2
BPT-2484SB	4	24"	610	84"	2134	94	42.6
BPT-2496SB	6	24"	610	96"	2438	114	51.7
BPT-3024SB	4	30"	762	24"	610	45	20.4
BPT-3030SB	4	30"	762	30"	762	49	22.0
BPT-3036SB	4	30"	762	36"	914	52	23.6
BPT-3048SB	4	30"	762	48"	1219	68	30.1
BPT-3060SB	4	30"	762	60"	1524	79	35.8
BPT-3072SB	4	30"	762	72"	1829	92	41.7
BPT-3084SB	4	30"	762	84"	2134	105	47.6
BPT-3096SB	6	30"	762	96"	2438	126	57.2