

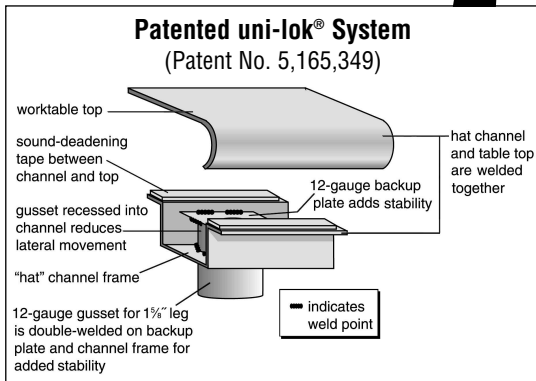
Specification Sheet

Short Form Specifications

Blendport worktables, Budget series, model _____.
Top constructed of heavy gauge type 430 stainless steel with 1½" roll on front, 1½" rear upturn, and sides turned down 90°. Open front with 1¼" O.D. stainless steel tubular crossbracing on sides and rear. Top reinforced with welded hat channels and sound deadened. Constructed with uni-lok® patented gusset system with the gussets recessed into the hat channels to reduce lateral movement. Legs are 1½" O.D. stainless steel tubing, with stainless steel gussets and 1" stainless steel adjustable bullet feet.



worktable with upturn and tubular base
—shown with optional drawer



Item No.: _____
Project No.: _____
S.I.S. No.: _____

Worktables with Rear Upturn and Stainless Steel Tubular Base —Budget Series

MODELS:

- | | | |
|---|---|---|
| <input type="checkbox"/> BPT-2424STB-UT | <input type="checkbox"/> BPT-2484STB-UT | <input type="checkbox"/> BPT-3060STB-UT |
| <input type="checkbox"/> BPT-2430STB-UT | <input type="checkbox"/> BPT-2496STB-UT | <input type="checkbox"/> BPT-3072STB-UT |
| <input type="checkbox"/> BPT-2436STB-UT | <input type="checkbox"/> BPT-3024STB-UT | <input type="checkbox"/> BPT-3084STB-UT |
| <input type="checkbox"/> BPT-2448STB-UT | <input type="checkbox"/> BPT-3030STB-UT | <input type="checkbox"/> BPT-3096STB-UT |
| <input type="checkbox"/> BPT-2460STB-UT | <input type="checkbox"/> BPT-3036STB-UT | |
| <input type="checkbox"/> BPT-2472STB-UT | <input type="checkbox"/> BPT-3048STB-UT | |

Tabletop

- Top reinforced with welded-on hat channel.
- Sound-deadened between top and channels.
- 1½" (38mm) 90° rear upturn with radius at intersection.
- 1½" (41mm)-diameter 180° rolled edge on front. Ends are turned down 90° providing for flush installations when required.
- Heavy gauge type 430 polished stainless steel.

Crossbracing—1¼" (32mm)-diameter

- Heavy gauge stainless steel.
- Aluminum castings join crossbraces, legs and rear brace.

Legs—1½" (41mm)-diameter

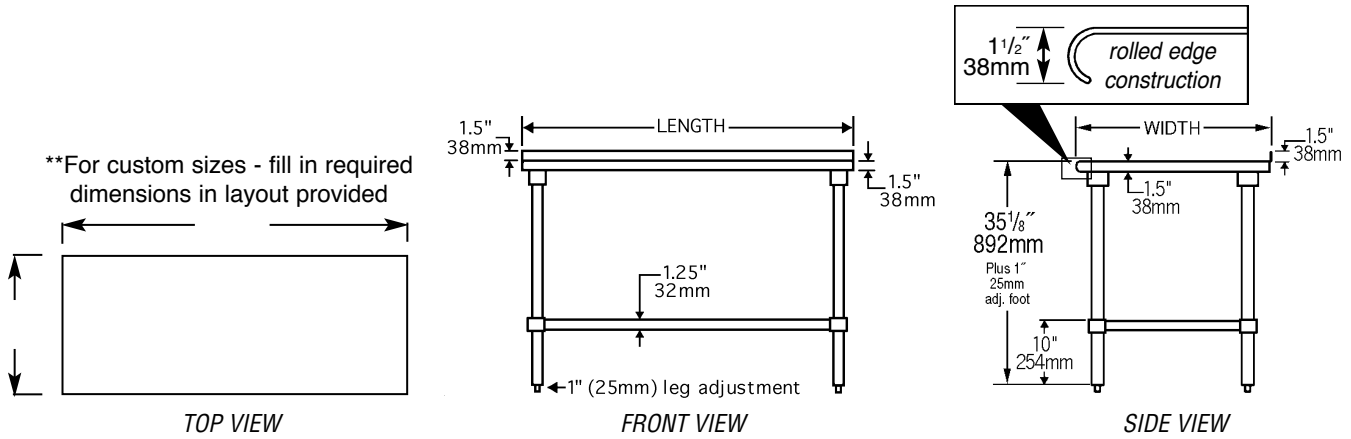
- Units 96" to 120" (2438 to 3048mm) long come with six legs; Units 132" and 144" (3353 and 3658mm) come with eight legs.
- Patented uni-lok® gusset system (patent # 5,165,349): gussets are recessed into hat channel, reducing lateral movement.
- Heavy gauge stainless steel.
- Galvanized gussets.
- 1" (25mm) adjustable stainless steel feet.

* Optional casters available. Consult factory.



Item No.:	_____
Project No.:	_____
S.I.S. No.:	_____

Worktables with Rear Uprturn and Stainless Steel Tubular Base —Budget Series



model #	# of legs	width		length		weight	
		in.	mm	in.	mm	lbs.	kg
BPT-2424STB-UT	4	24"	610	24"	610	40	18.1
BPT-2430STB-UT	4	24"	610	30"	762	45	20.4
BPT-2436STB-UT	4	24"	610	36"	914	50	22.7
BPT-2448STB-UT	4	24"	610	48"	1219	60	27.2
BPT-2460STB-UT	4	24"	610	60"	1524	70	31.8
BPT-2472STB-UT	4	24"	610	72"	1829	80	36.3
BPT-2484STB-UT	4	24"	610	84"	2134	90	40.8
BPT-2496STB-UT	6	24"	610	96"	2438	100	45.4
BPT-3024STB-UT	4	30"	762	24"	610	45	20.4
BPT-3030STB-UT	4	30"	762	30"	762	50	22.7
BPT-3036STB-UT	4	30"	762	36"	914	53	24.0
BPT-3048STB-UT	4	30"	762	48"	1219	57	25.9
BPT-3060STB-UT	4	30"	762	60"	1524	67	30.4
BPT-3072STB-UT	4	30"	762	72"	1829	77	34.9
BPT-3084STB-UT	4	30"	762	84"	2134	87	39.5
BPT-3096STB-UT	6	30"	762	96"	2438	97	44.0

Although every attempt has been made to ensure the accuracy of the information provided, we cannot be held responsible for typographical or printing errors. Information and specifications are subject to change without notice. Please confirm at time of order.