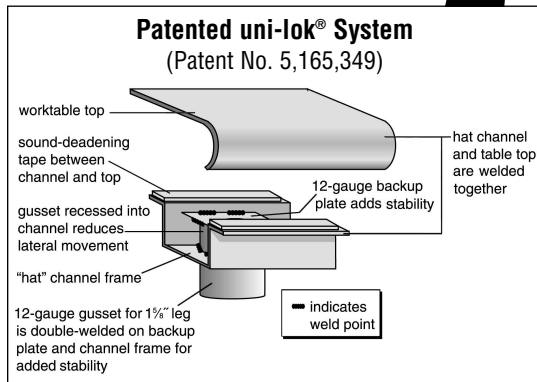


# Specification Sheet

## Short Form Specifications

Blendport worktables, Budget series model \_\_\_\_\_.  
Top constructed of heavy gauge, type 430 stainless steel with 1½" roll on front and 1½" rear upturn, and sides turned down 90°. Undershef is adjustable and constructed of heavy gauge galvanized. Top reinforced with welded hat channels, and sound deadened. Constructed with uni-lok® patented gusset system, with the gussets recessed into the hat channels to reduce lateral movement. Legs are 1½" O.D. galvanized tubing with galvanized gussets and 1" hi-impact plastic bullet feet.



Item No.: \_\_\_\_\_  
Project No.: \_\_\_\_\_  
S.I.S. No.: \_\_\_\_\_

## Worktables with Rear Upturn and Galvanized Base with Adjustable Undershef —Budget Series

### MODELS:

- |                                       |                                       |                                       |
|---------------------------------------|---------------------------------------|---------------------------------------|
| <input type="checkbox"/> BPT-2424B-UT | <input type="checkbox"/> BPT-2484B-UT | <input type="checkbox"/> BPT-3060B-UT |
| <input type="checkbox"/> BPT-2430B-UT | <input type="checkbox"/> BPT-2496B-UT | <input type="checkbox"/> BPT-3072B-UT |
| <input type="checkbox"/> BPT-2436B-UT | <input type="checkbox"/> BPT-3024B-UT | <input type="checkbox"/> BPT-3084B-UT |
| <input type="checkbox"/> BPT-2448B-UT | <input type="checkbox"/> BPT-3030B-UT | <input type="checkbox"/> BPT-3096B-UT |
| <input type="checkbox"/> BPT-2460B-UT | <input type="checkbox"/> BPT-3036B-UT |                                       |
| <input type="checkbox"/> BPT-2472B-UT | <input type="checkbox"/> BPT-3048B-UT |                                       |

### Tabletop

- Top reinforced with welded-on hat channel.
- Sound-deadened between top and channels.
- 1½" (38mm) 90° rear upturn with radius at intersection.
- 1½" (38mm)-diameter 180° rolled edge on front. Ends are turned down 90° providing for flush installations when required.
- 16 gauge type 430 polished stainless steel.

### Adjustable Undershef

- Heavy gauge, galvanized.

### Legs—1½" (41mm)-diameter

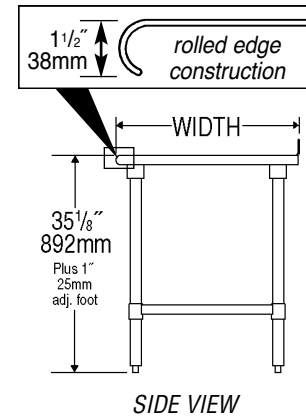
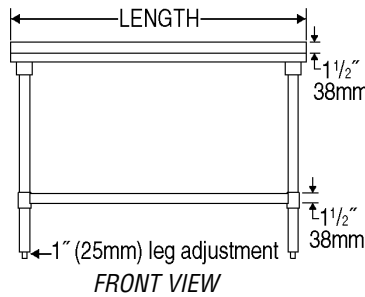
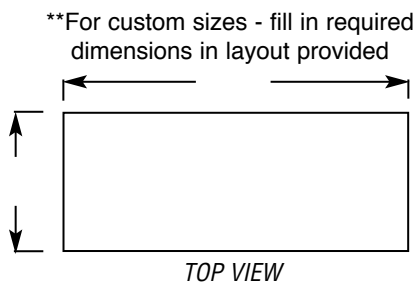
- Units 96" to 120" (2438 to 3048mm) long come with six legs; Units 132" and 144" (3353 and 3658mm) come with eight legs.
- Patented uni-lok® gusset system (patent #5,165,349) is recessed into channel, reducing lateral movement.
- Heavy gauge galvanized steel.
- Galvanized gussets.
- 1" (25mm) adjustable hi-impact plastic feet\*.

\* Optional casters available. Consult factory.



Item No.:	_____
Project No.:	_____
S.I.S. No.:	_____

## Worktables with Rear Uprturn and Galvanized Base with Adjustable Undershef—Budget Series



model #	# of legs	width		length		weight	
		in.	mm	in.	mm	lbs.	kg
<i>BPT-2424B-UT</i>	4	24"	610	24"	610	40	18.1
<i>BPT-2430B-UT</i>	4	24"	610	30"	762	45	20.4
<i>BPT-2436B-UT</i>	4	24"	610	36"	914	50	22.7
<i>BPT-2448B-UT</i>	4	24"	610	48"	1219	60	27.2
<i>BPT-2460B-UT</i>	4	24"	610	60"	1524	70	31.8
<i>BPT-2472B-UT</i>	4	24"	610	72"	1829	80	36.3
<i>BPT-2484B-UT</i>	4	24"	610	84"	2134	90	40.8
<i>BPT-2496B-UT</i>	6	24"	610	96"	2438	100	45.4
<i>BPT-3024B-UT</i>	4	30"	762	24"	610	45	20.4
<i>BPT-3030B-UT</i>	4	30"	762	30"	762	50	22.7
<i>BPT-3036B-UT</i>	4	30"	762	36"	914	55	24.9
<i>BPT-3048B-UT</i>	4	30"	762	48"	1219	65	29.5
<i>BPT-3060B-UT</i>	4	30"	762	60"	1524	75	34.0
<i>BPT-3072B-UT</i>	4	30"	762	72"	1829	85	38.6
<i>BPT-3084B-UT</i>	4	30"	762	84"	2134	95	43.1
<i>BPT-3096B-UT</i>	6	30"	762	96"	2438	105	47.6