



Project _____

Item # _____

Quantity _____

SPECTRUM Commercial Countertop Gas Hot Plates, Natural / LP

Models: NGHP-2 / NGHP-4 / NGHP-6

The Spectrum Gas Hot Plates are designed with durable stainless steel construction and cool-touch front plate rail.

These units are equipped with infinite heat controls, high-performance burners, heavy-duty cast iron top grates, removable grease/drip pan.

Includes an LP conversion kit.

Standard Features

- ◆ High performance burners, each with output of 25,000 BTU
- ◆ Infinite heat controls
- ◆ Stainless steel body, adjustable legs 4" to 6" and drip pan; non-skid feet
- ◆ Heavy-duty 12" x 12" cast iron grates
- ◆ 5" wide cool-touch stainless front steel plate rail provides safety and knob protection
- ◆ Standing pilot ignition system, one per burner
- ◆ 3/4" rear gas connection with regulator
- ◆ Conversion kit allows the use of propane or natural gas
- ◆ CSA listed for commercial and indoor use
- ◆ One year parts and labor warranty

Models

NGHP-2

Burners: 2

BTU/total per HR: 50,000

Grate surface: 12" x 24"

NGHP-4

Burners: 4

BTU/total per HR: 100,000

Grate surface: 24" x 24"

NGHP-6

Burners: 6

BTU/total per HR: 150,000

Grate surface: 36" x 24"



NGHP-2



NGHP-4



NGHP-6



Accessories

MINI UTILITY BRUSHES

BR-7B 7" O.L., brass bristles

BR-7S 7" O.L., stainless steel wire bristles

SCRATCH BRUSHES

BR-319 14" O.L., steel bristles

BR-500 20" O.L., wire bristles

Winco®, DWL International Trading, LLC

www.wincous.com
equipsales@wincous.com

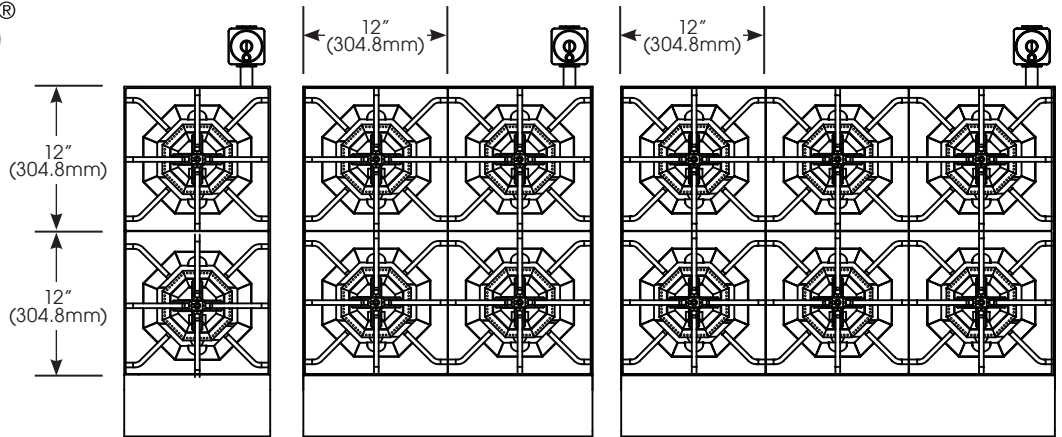
East Coast: 65 Industrial Road, Lodi, NJ 07644
Tel. 1.888.946.2682 | Fax: 1.888.946.2632

West Coast: 14950-14952 Valley View Avenue, La Mirada, CA 90638
Tel. 1.888.946.2652 | Fax: 1.562.926.5678

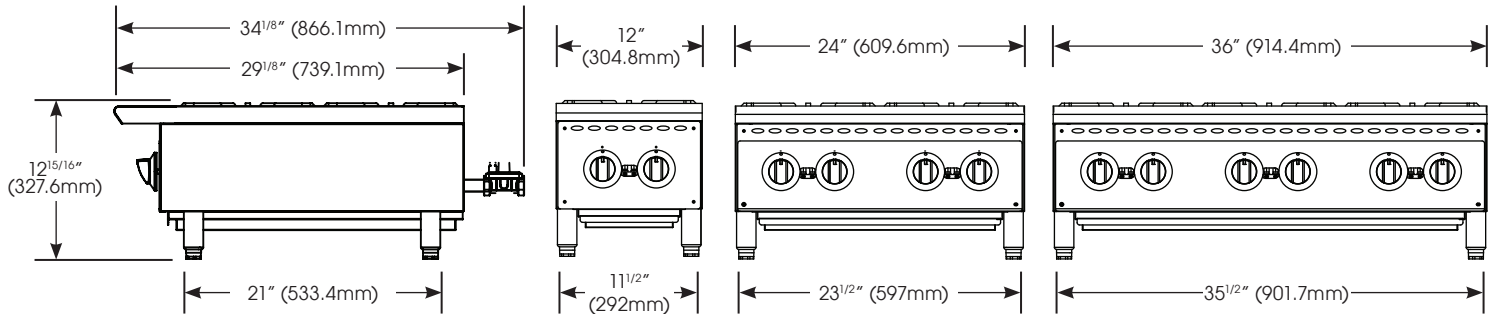


SPECTRUM Gas Hot Plates

Models:
NGHP-2
NGHP-4
NGHP-6



TOP VIEW



SIDE VIEW

FRONT VIEW

Specifications

MODEL	DESCRIPTION	# OF BURNERS	BTU/ BURNER	TOTAL BTU/HR	PRESSURE IN. W.C.	DIMENSIONS			GRATE SURFACE		SHIP WEIGHT
						LENGTH	DEPTH	HEIGHT	LENGTH	DEPTH	
NGHP-2	Spectrum Gas Hot Plates	2	25,000	50,000	4" / 10"	12" (304.8mm)	34-1/8" (86.6mm) <i>includes gas inlet pipe at rear</i>	15" (381mm)	12" (304.8mm)	24" (609.6mm)	79 lbs (36 kgs)
NGHP-4		4		100,000		24" (609.6mm)			24" (609.6mm)		132 lbs (60 kgs)
NGHP-6		6		150,000		36" (914.4mm)			36" (914.4mm)		198 lbs (90 kgs)

Gas Requirements and Information

- Natural or LP gas main supply required
- 3/4" NPT male connection, all units supplied with natural gas and convertible LP gas regulator

THESE UNITS ARE SUITABLE FOR INSTALLATION ON NON-COMBUSTIBLE SURFACE(S) ONLY.

Combustible clearances: 6" sides (152mm) / 6" rear (152mm) / 4" floor (102mm)

Noncombustible clearances: 0" sides (0mm) / 6" rear (152mm) / 4" floor (102mm)

Product Specs

Gas Hot Plate

The Gas Hot Plate models NGHP-2 / NGHP-4 / NGHP-6 as manufactured by Winco®, Lodi, NJ 07644.

The Gas Hot Plate shall be rated at 25,000 BTU per burner, 3/4" rear gas connection with regulator and overall height from 13" to 15". The Gas Hot Plate shall consist of 12" x 12" cast iron grates, two (2) / four (4) / six (6) cast iron burners, standing pilot ignition system, stainless steel body, grease tray. Natural gas supplied standard, conversion kit included for LP. Not to be used on casters.

CSA listed for commercial and indoor use.

Warranty consists of one year parts and labor.

Winco®, DWL International Trading, LLC

www.wincous.com
equipsales@wincous.com

East Coast: 65 Industrial Road, Lodi, NJ 07644
Tel. 1.888.946.2682 | Fax: 1.888.946.2632

West Coast: 14950-14952 Valley View Avenue, La Mirada, CA 90638
Tel. 1.888.946.2652 | Fax: 1.562.926.5678