



PROJECT: _____
 ITEM # _____ QTY: _____
 MODEL # _____
 AIA # _____ SIS # _____

WORKTOP DRAWER REFRIGERATOR

VWRD119HC-6

WORKTOP DRAWER REFRIGERATOR



CABINET CONSTRUCTION

- Stainless Steel Exterior (galvanized back & bottom)
- Aluminum Interior
- 20 Gauge Stainless Steel Door/Drawer
- 4" High, Foamed-In-Place Backsplash
- One Piece, Snap-In Magnetic Door/Drawer Gaskets
- 6" Casters, Two With Brakes
- 8' Cord And Plug (see electrical data for details)

FEATURES

- Full Electronic Control
- Stay-Open Drawer Feature For Easy Product Loading
- Low Profile Horizontal Door/Drawer Handles
- Heavy-Duty Spring Loaded Cartridge Hinges
- Heavy-Duty Pan Supports Provided
- Drawers Accommodate 6" Deep Full Size Food Service Pans (pans not included)
- Telescoping Drawer Slides With Locking Mechanism
- Epoxy Coated Shelves (2 per section)

- ▶ **3 Year Parts & Labor Warranty**
Plus An Additional 4 Year Compressor Warranty
- ▶ **Exclusive 2 Year Warranty On Magnetic Drawer Gaskets**
- ▶ **Lifetime Warranty On Handles & Hinges (parts only)**

REFRIGERATION

- Refrigeration System Uses R-290 Refrigerant To Comply With All Environmental Concerns
- Rear Mounted Refrigeration System
- Adaptive Defrost For Reduced Energy Consumption And More Consistent Product Temperatures
- Epoxy Coated Evaporator Coil
- Refrigerator Capable Of Maintaining Product Temperature 36°F To 38°F



Please verify qualifying units by visiting:
www.energystar.gov/cfs

OPTIONS & ACCESSORIES

- | | | |
|---------------------------------------------|----------------------------------------|---------------------------------------------------------------------------------------------------------------|
| • Stainless Steel Interior | • Cutting Board | • Correctional Package |
| • Stainless Steel Back | • Additional Shelves | • Remote Models* (6" legs only)
(refrigerant must be specified at time of order, see note on back on page) |
| • Secure-Temp™ Technology | • Shelf Clips | |
| • Door/Drawer Locks | • 6" Legs or 6" Seismic Legs | |
| • Door Swing Orientation (at time of order) | • Casters: 3", Roller Kit, Low Profile | |

3779 Champion Blvd, Winston-Salem, NC 27105

ph: (888) 845-9800 | fax: (800) 253-5168

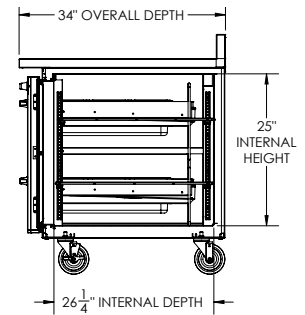
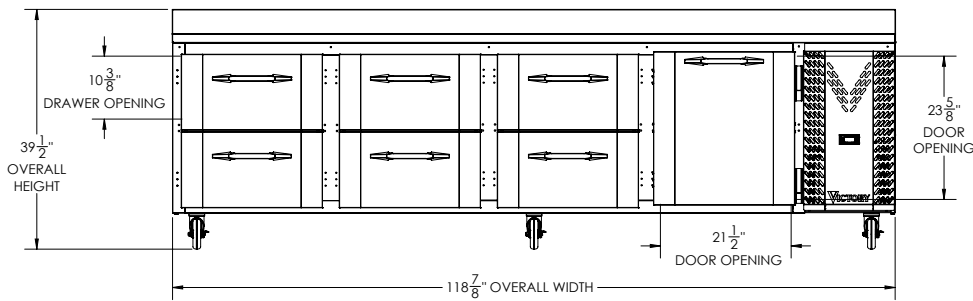
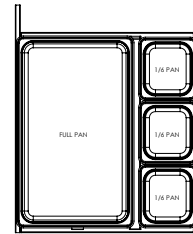
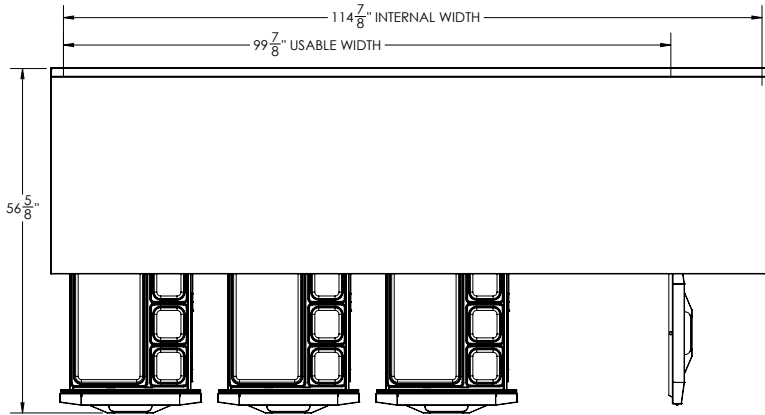
Sales@VictoryRefrigeration.com | VictoryRefrigeration.com

Rev. 10/28/21 Printed in U.S.A.

APPROVAL: _____ DATE: _____

VICTORY WORKTOP DRAWER REFRIGERATOR

VWRD119HC-6



We reserve the right to change specifications and product design without notice. Such revisions do not entitle the buyer to corresponding changes, improvements, additions or replacements for previously purchased equipment. Dimensional tolerances +/- 1/4". Metric dimensions (MM)

CHARACTERISTICS		ELECTRICAL DATA		SHIPPING DETAILS	
Net Capacity (cubic ft.)	40.12	Cabinet Voltage	115/60/1	Height	44"
Width, Overall (in.)	118 7/8"	Total Amperes	5.0	Width	122"
Depth, Overall (with handle)	34"	NEMA Plug (8' cord)	5-15P	Depth	35"
Height Overall (6" casters)	39 1/2"	REFRIGERATION DATA		Crated Weight	732 lbs
Depth, Drawer Open 90°	56 5/8"	Condensing Unit Size, HP	1/3	*NOTE: Remote units are field wired and comes with 6" legs. Refrigerant must be specified at time of order.	
Door Opening (in.)	21 1/2" x 23 5/8"	Refrigerant*	R-290		
Drawer Opening (in.)	21 1/2" x 10 3/8"	Capacity (BTU/HR) (100°F/20°F)	2630		
No. Of Doors/Shelves/Drawers	1/2/6	Heat Rejection (BTU/HR)	3945		
		Charge (lbs/grams)	0.3086/140		

3779 Champion Blvd, Winston-Salem, NC 27105 | ph: (888) 845-9800 | fax: (800) 253-5168

Sales@VictoryRefrigeration.com | VictoryRefrigeration.com

Rev. 10/28/21 Printed in U.S.A.

an Ali Group Company



The Spirit of Excellence