



PROJECT: \_\_\_\_\_  
 ITEM # \_\_\_\_\_ QTY: \_\_\_\_\_  
 MODEL # \_\_\_\_\_  
 AIA # \_\_\_\_\_ SIS # \_\_\_\_\_

**WORKTOP FREEZER**

# WORKTOP FREEZER

## VWF27HC



### CABINET CONSTRUCTION

- Stainless Steel Exterior (galvanized back & bottom)
- Aluminum Interior
- 4" High, Foamed-In-Place Backsplash
- One Piece, Snap-In Magnetic Door Gaskets
- 6" Casters
- 8' Cord And Plug (see electrical data for details)

### FEATURES

- Full Electronic Control
- Stay-Open Door Feature For Easy Product Loading
- Heavy-Duty Spring-Loaded Cartridge Hinges
- Low Profile Horizontal Door Handles
- Epoxy Coated Shelves (2 per section)

### REFRIGERATION

- Refrigeration System Uses R-290 Refrigerant To Comply With All Environmental Concerns
- Rear Mounted Refrigeration System
- Adaptive Defrost For Reduced Energy Consumption And More Consistent Product Temperatures
- Epoxy Coated Evaporator Coil
- Freezer Capable Of Maintaining Product Temperature -10°F

- ▶ **3 Year Parts & Labor Warranty**
- ▶ **Plus An Additional 4 Year Compressor Warranty**
- ▶ **Exclusive 2 Year Warranty On Magnetic Door Gaskets**
- ▶ **Lifetime Warranty On Handles & Hinges (parts only)**



Please verify qualifying units by visiting:  
[www.energystar.gov/cfs](http://www.energystar.gov/cfs)

### OPTIONS & ACCESSORIES

- |   |  |  |
|---|--|--|
| • Stainless Steel Interior                  | • Cutting Board                        | • Correctional Package   |
| • Stainless Steel Back                      | • Additional Shelves                   | • Remote Models* (6" legs only)  |
| • Secure-Temp™ Technology                   | • Shelf Clips (set of 4)               | (refrigerant must be specified at time of order, see note on back on page) |
| • Door Locks                                | • 6" Legs or 6" Seismic Legs           |  |
| • Door Swing Orientation (at time of order) | • Casters: 3", Roller Kit, Low Profile |  |

3779 Champion Blvd, Winston-Salem, NC 27105

ph: (888) 845-9800 | fax: (800) 253-5168

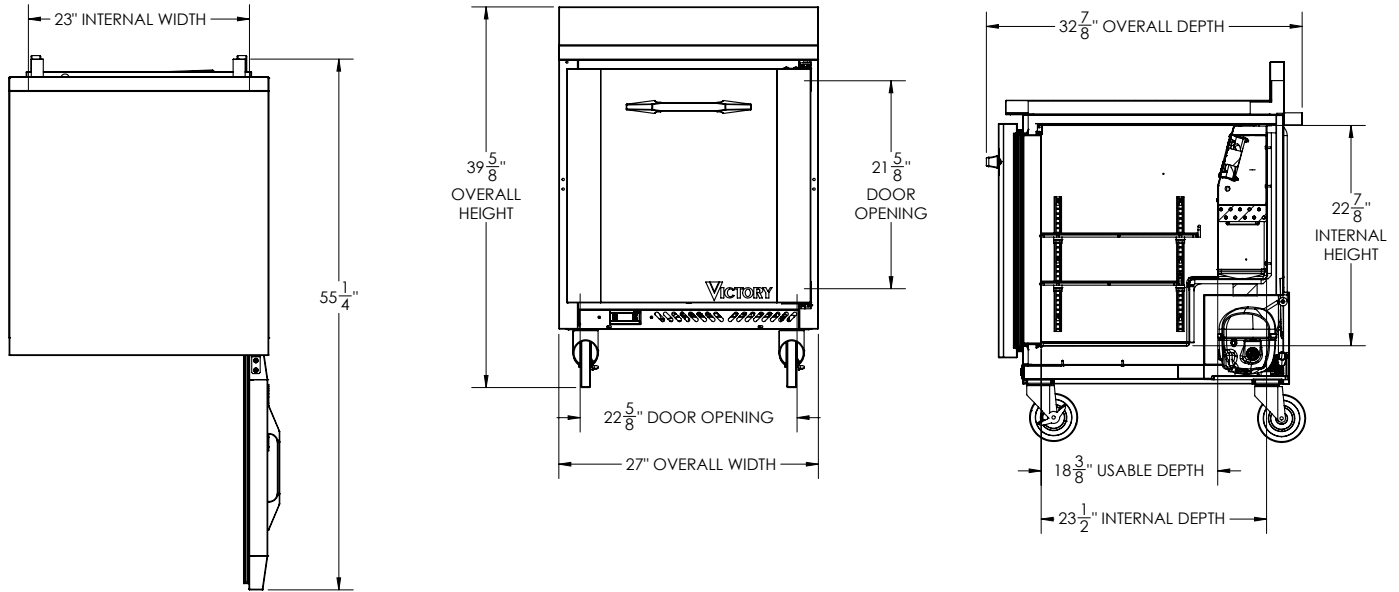
Sales@VictoryRefrigeration.com | VictoryRefrigeration.com

Rev. 10/26/21 Printed in U.S.A.

APPROVAL: \_\_\_\_\_ DATE: \_\_\_\_\_

# VICTORY WORKTOP FREEZER

## VWF27HC



We reserve the right to change specifications and product design without notice. Such revisions do not entitle the buyer to corresponding changes, improvements, additions or replacements for previously purchased equipment. Dimensional tolerances +/- 1/4". Metric dimensions (MM)

CHARACTERISTICS		ELECTRICAL DATA		SHIPPING DETAILS	
Net Capacity (cubic ft.)	6.15	Cabinet Voltage	115/60/1	Height	49"
Width, Overall (in.)	27"	Total Amperes	2.5	Width	30"
Depth, Overall (with handle)	32 7/8"	NEMA Plug (8' cord)	5-15P	Depth	37"
Height Overall (6" casters)	39 5/8"	REFRIGERATION DATA		Crated Weight	218 lbs
Depth, Door Open 90°	55 1/4"	Condensing Unit Size, HP	1/4	*NOTE: Remote units are field wired and comes with 6" legs. Refrigerant must be specified at time of order.	
Door Opening (in.)	22 5/8" x 21 5/8"	Refrigerant*	R-290		
No. Of Doors/Shelves	1/2	Capacity (BTU/HR) (100°F/20°F)	857		
		Heat Rejection (BTU/HR)	1285.5		
		Charge (lbs/grams)	0.0992/45		

3779 Champion Blvd, Winston-Salem, NC 27105 | ph: (888) 845-9800 | fax: (800) 253-5168

Sales@VictoryRefrigeration.com | VictoryRefrigeration.com

Rev. 10/26/21 Printed in U.S.A.

an Ali Group Company



The Spirit of Excellence