



Single Glass Door Merchandisers



VR-17-RE-HC

Height 74.00"
 Length 30.00"
 Depth 25.75"
 Cubic Ft. 17
 Liters 481
 Bottles (20oz) . . . 192
 Cans (12oz) 504



VR-26-HC

Height 78.00"
 Length 30.00"
 Depth 29.75"
 Cubic Ft. 26
 Liters 736
 Bottles (20oz) . . . 355
 Cans (12oz) 890

Features

- Interior and exterior constructed of heavy duty white coated steel
- Polyurethane insulation with cyclopentane as blowing agent
- Double pane glass door with Low-E protection
- Illuminated top header sign
- Externally mounted hinged glass doors
- Recessed door handle
- Heavy duty shelves with clips
- Heavy duty hinges with self closing mechanism
- Forced air evaporator for rapid temperature "Pull Down"
- Self contained heavy duty 134a condensing unit
- Energy efficient LED lighting
- UL Classified to ANSI/NSF 7

Model No.	Description	Voltage	Amps	Temp	HP	Est. Ship Weight
VR-17-RE-HC	1 Door/3 Shelves	115	4.4	32°F - 39°F	1/4	250#
VR-26-HC	1 Door/4 Shelves	115	5.8	32°F - 39°F	1/3	498#

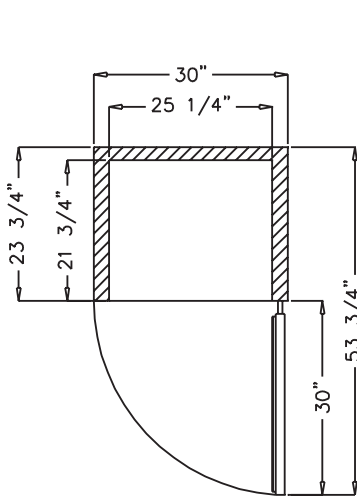




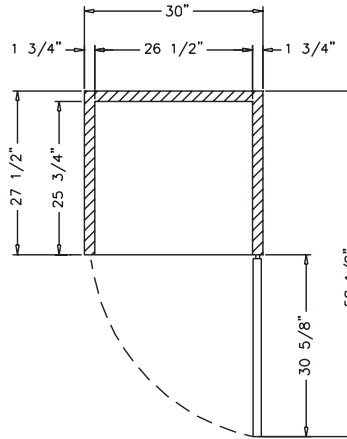
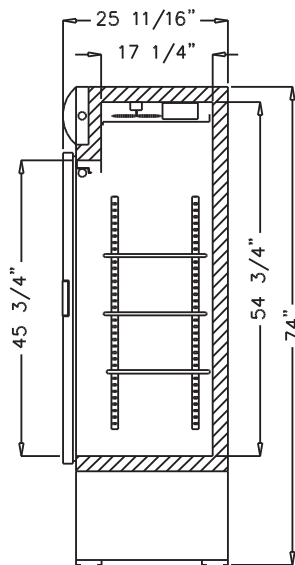
Technical Data / Single Glass Door

Model #	VR-17-RE-HC	VR-26-HC
Outside Dimensions		
Depth	25.75"	29.50"
Length	30.00"	30.00"
Height	74.00"	78.00"
Door Size	30.00" x 47.75"	30.625" x 52.50"
Door Type	1 swing	1 swing
Inside Dimensions		
Depth	21.75"	25.75"
Length	25.25"	26.50"
Height	54.75"	61.25"
Shelf Size	24.50" x 19.50"	25.69" x 24.00"
# of Shelves	3	4
Capacity: Cubic Foot	17	26
Specifications		
Operating Temperature	32°F-39°F	32°F-39°F
Refrigerant	134a	134a
Compressor Size HP	1/4	1/3
Voltage	115	115
Amperage	4.4	5.8
Cord and Plug	yes	yes
Shipping Dimensions		
Depth	30.00"	34.00"
Length	34.00"	34.00"
Height	80.00"	82.00"
Gross Weight lbs.	250	498
Cubic feet	47	56

- Cases are designed to operate at 75°F and 55% relative humidity.
- Specification subject to change without notice.



VR-17-RE-HC



VR-26-HC

