



Outperform every day.™

Project:

Item Number:

Quantity:

Mobile Breath Guards

The Vollrath Company, L.L.C.

## MOBILE BREATH GUARDS



Mobile Breath Guards

### MODELS

- MB98719 24" Wide
- MB98720 36" Wide
- MB98721 48" Wide
- MB98722 60" Wide

### FEATURES

- Adjustable height (14 to 25" (36.2 to 64.1 cm)) and angle to accommodate most chafers, warmers and serving pieces
- Rugged stainless steel base
- Curved acrylic breath guard
- Shipped knocked-down
- Easy assembly

### DESCRIPTION

Vollrath Mobile Breath Guards are available in four industry standard lengths to fit most serving stations. Breath guard height and angle can be adjusted to work with most chafers, warmers and serving pieces.

**WARRANTY:** All models shown come with Vollrath's standard warranty against defects in materials and workmanship. For full warranty details, please refer to the Vollrath Equipment and Smallwares Catalog.

Approvals	Date

Due to continued product improvement, please consult [www.vollrath.com](http://www.vollrath.com) for current product specifications.



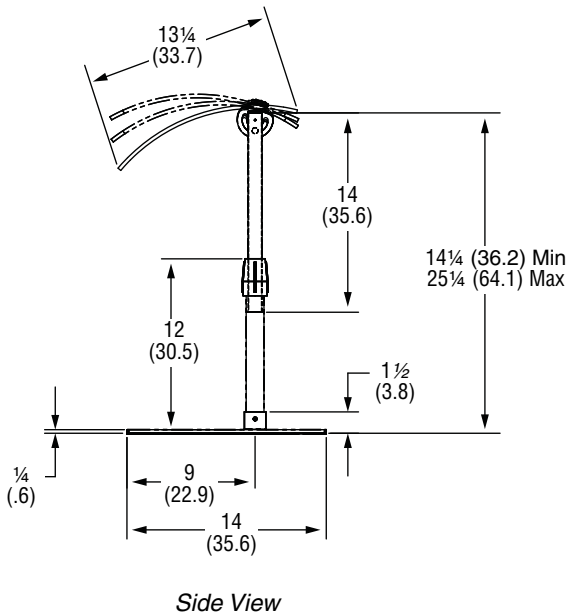
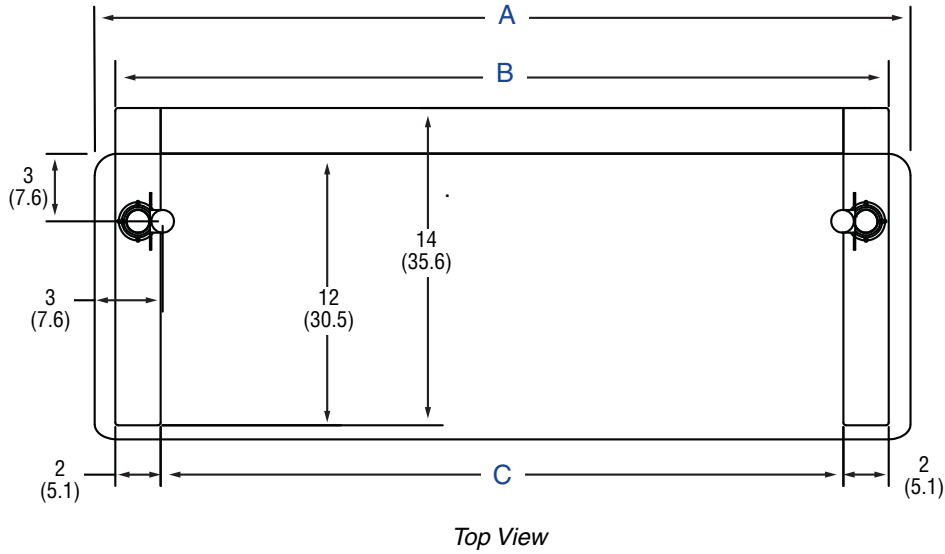
Outperform every day.™  
[www.vollrath.com](http://www.vollrath.com)

The Vollrath Company, L.L.C.  
1236 North 18th Street  
Sheboygan, WI 53081-3201 U.S.A.  
Customer Service: 800.628.0830  
Canada Customer Service: 800.695.8560  
Main Fax: 800.752.5620 or 920.459.6573

Technical Services: 800.628.0832  
Technical Services Fax: 920.459.5462

# MOBILE BREATH GUARDS

## DIMENSIONS (inches (cm))



## SPECIFICATIONS

Item	Dimensions			Shipping Weight LB (KG)
	(A) Overall Width	(B)	(C)	
MB98719	24 (61)	22 1/8 (56.2)	18 1/8 (46)	15.1 (6.8)
MB98720	36 (91.4)	34 1/8 (86.7)	30 1/8 (76.5)	18 (8.2)
MB98721	48 (121.9)	46 1/8 (117.2)	42 1/8 (107)	25 (11.3)
MB98722	60 (152.4)	58 1/8 (147.6)	54 1/8 (137.5)	28 (12.7)



Outperform every day.™

[www.vollrath.com](http://www.vollrath.com)

The Vollrath Company, L.L.C.  
 1236 North 18th Street  
 Sheboygan, WI 53081-3201 U.S.A.  
 Customer Service: 800.628.0830  
 Canada Customer Service: 800.695.8560  
 Main Fax: 800.752.5620 or 920.459.6573

Technical Services: 800.628.0832  
 Technical Services Fax: 920.459.5462