

CDE215H: Tap 1: Nitro Coffee • Tap 2: Still Coffee

CDE215F: Tap 1: Beer



Coffee dispensers utilize patent-pending technology trusted by America's largest coffee chain



CDE215H

CDE215F

| | |
|----------|--------|
| Project: | Notes: |
|----------|--------|

Features and Specifications

| |
|--|
| Includes: refrigeration cabinet, dispensing tower, tubing, hardware, black tap handles, drip tray, and casters |
| Convection cooling system provides a quick cool down and consistent temperature |
| Stainless steel cabinet, grille, and full-wrap door |
| Full-depth lower interior with an interior volume of 3.6 cu ft |
| Removable lower interior stainless steel liner |
| CDE215H holds up to one 5 gallon cornelius keg & one 10 lb / 38 cu ft nitro tank |
| CDE215F holds up to one 1/6 barrel & one 10 lb / 38 cu ft CO ² tank |
| Cabinet Dimensions: 34 1/2" H x 15" W x 25 15/16" D (see diagram for tower heights) |
| Temperature range: 34°F - 60°F |
| Designed for built-in or freestanding applications |
| High efficiency variable speed compressor with 1.2 running amps |
| Environmentally friendly R600a refrigerant |

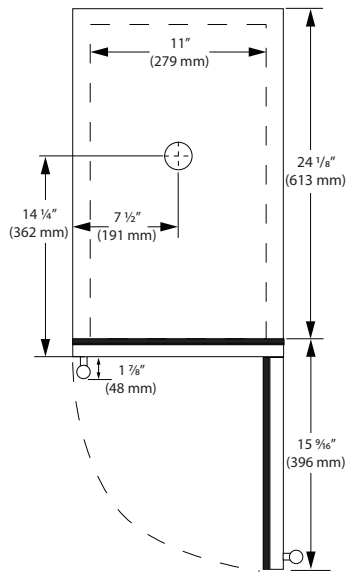
Model Details

| Model | Description | Voltage/Hz | Shipping Weight |
|---------------|--|-------------|-----------------|
| UCDE215HSS03A | Cold Coffee 2 Dispenser 15" Reversible Hinge Stainless Solid | 115v / 60hz | 86 lb |
| UCDE215FSS03A | Beer 1 Dispenser 15" Reversible Hinge Stainless Solid | 115v / 60hz | TBD lb |

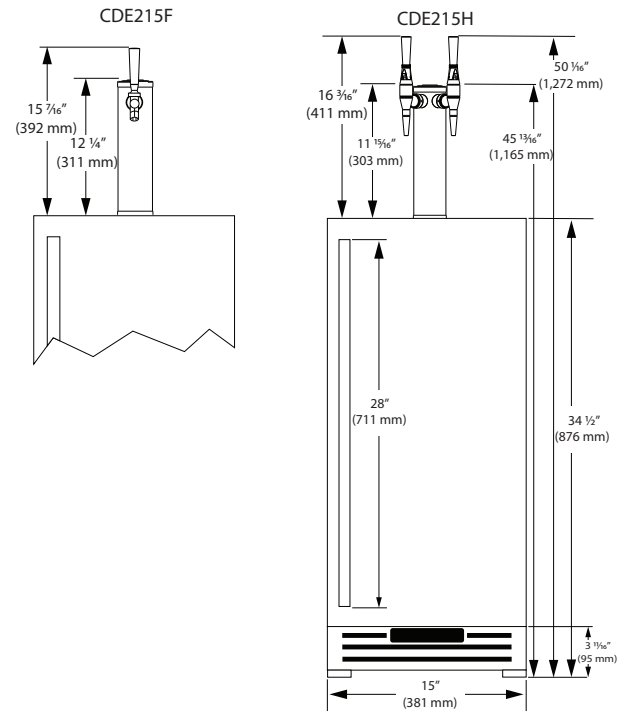
Accessories

| Model | Description | Shipping Weight |
|----------------|---|-----------------|
| ULANITROTANK | 22 cu ft Aluminum Nitro Tank | 5 lb |
| ULACOFFEEKEG | 2.5 gal Coffee Keg | 6 lb |
| ULANITROREG | Nitrogen Regulator | 3 lb |
| ULACOFFEECLEAN | Coffee Dispenser Cleaner (1 Box of 5 Packets) | 1 lb |

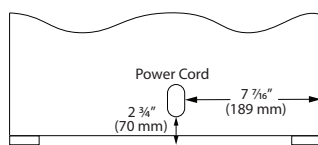
Top



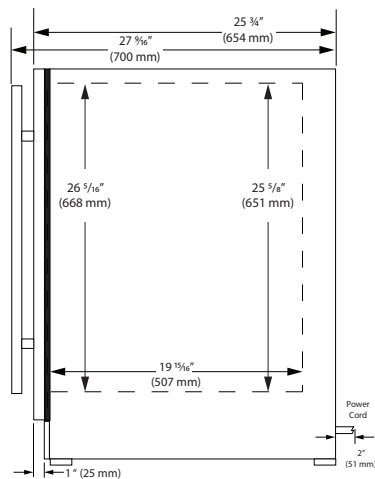
Front



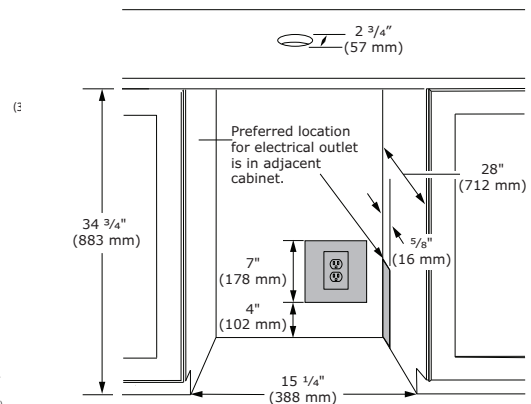
Back



Side



Cabinet Cut-Out



Commercial Warranty

1 Year (parts & labor) / 5 year sealed system (parts)
See complete warranty for details

Installation Notes

- Power cord extends 2" beyond total depth
- No additional clearance is needed for ventilation
- Do not obstruct front grille air flow