



**John
BOOS**
Since 1887

ITEM #: _____ QTY: _____
 MODEL #: _____
 PROJECT NAME: _____

110321

3601 S. Banker St. Effingham, IL 62401 • Ph: (888) 431-2667 • Fax: (800) 433-2667

"UBIB-18" UNDERBAR ICE BIN

SLIM-LINE, 18" WIDTH

- ALL 18 GAUGE STAINLESS STEEL CONSTRUCTION
- TYPE 300 STAINLESS STEEL WITH #4 POLISH, SATIN FINISH
- SLIM LINE 18" DEEP FRONT TO BACK
- FOAM INSULATED ICE BIN
- STANDARD THREADED INSERTS ON SIDES FOR ATTACHING ADJACENT UNITS TOGETHER
- STANDARD FRONT INSERTS FOR SPEED RAIL ATTACHMENT
- ACCESS PLATES ON TOP OF BACKSPASH FOR SODA GUN LINES
- STAINLESS STEEL FRONT TO BACK BRACING
- MATERIALS
 - TOP: 18 GAUGE TYPE 300 STAINLESS STEEL
 - FRONT APRON: 18 GAUGE TYPE 300 STAINLESS STEEL
 - BACKSPASH: 18 GAUGE TYPE 300 STAINLESS STEEL
 - SIDES: 18 GAUGE TYPE 300 STAINLESS STEEL
- LEGS AND BRACING
 - BOLT ON 1-5/8" STAINLESS STEEL LEGS FOR FAST INSTALLATION
 - 1-1/4" FRONT TO BACK BRACING
 - 1" ADJUSTABLE STAINLESS STEEL BULLET FEET
- MOUNTING OPTIONS
 - Z-CLIP TO MOUNT TO WALL
 - BOLT TO ADJACENT UNDERBAR PIECE
 - LEGS NOT TO BE REMOVED ON ICE BINS
- PLUMBING
 - 1-7/8" DRAIN PLUG
 - 1" MPT 3-1/4" LONG DRAIN CONNECTION
- NSF CERTIFIED

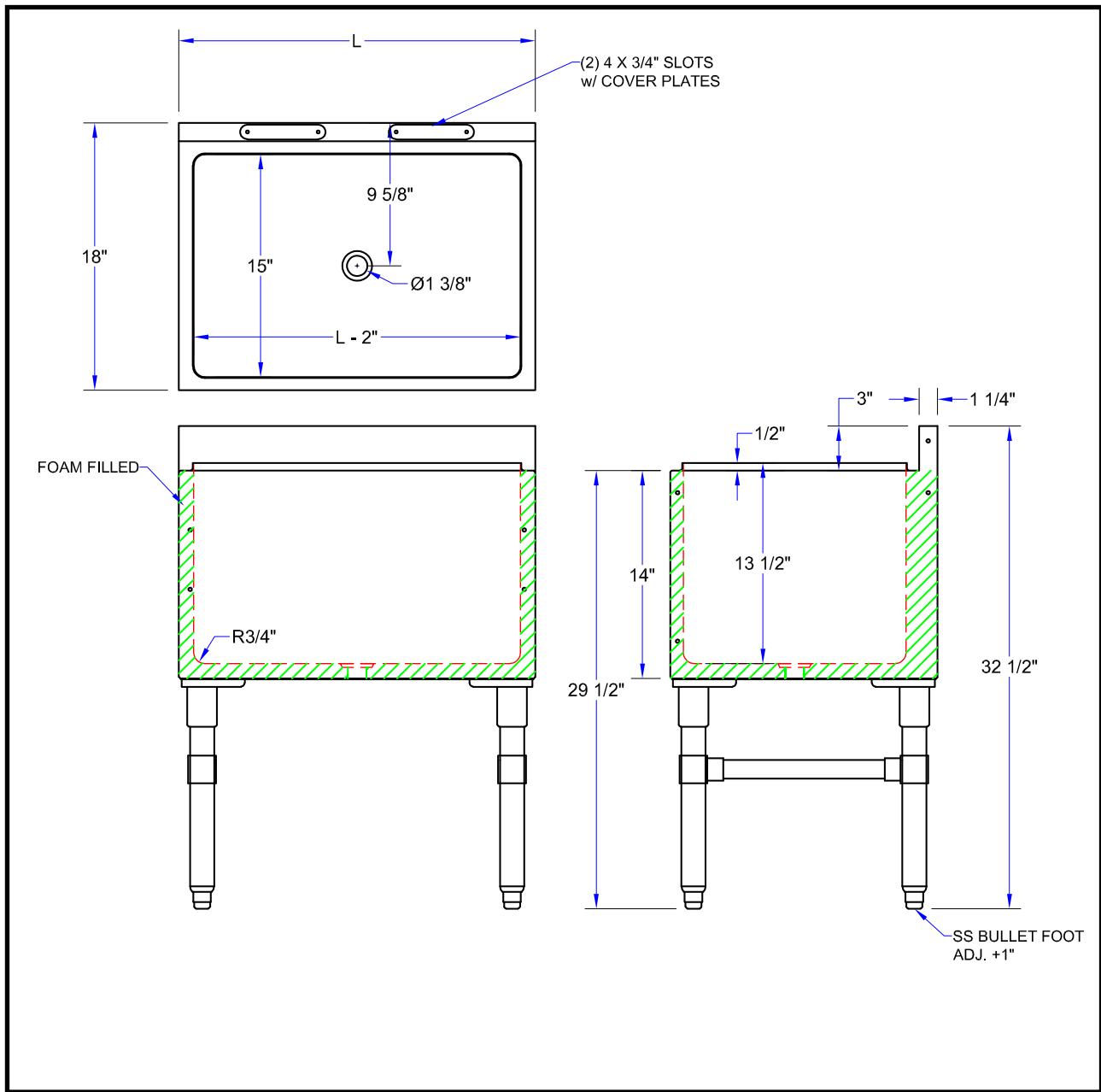


ACCESSORIES	DESCRIPTION
UBSS-18-L	SLIM-LINE LEFT HAND SIDE SPLASH
UBSS-18-R	SLIM-LINE RIGHT HAND SIDE SPLASH
UBSR1-24	24" SINGLE SPEED RAIL
UBSR1-30	30" SINGLE SPEED RAIL
UBSR1-36	36" SINGLE SPEED RAIL
UBSR2-24	24" DOUBLE SPEED RAIL
UBSR2-30	30" DOUBLE SPEED RAIL
UBSR2-36	36" DOUBLE SPEED RAIL
UBIBL-1824-BWH	BOTTLE WELL HOLDER WITH LID FOR 24"X18" ICE BIN
UBIBL-1830-BWH	BOTTLE WELL HOLDER WITH LID FOR 30"X18" ICE BIN

ICE BIN - SLIM-LINE, 18" WIDTH

MODEL #	SIZE (LXWXH)	LENGTH (L)	CAPACITY (LBS)	WT. (LBS)
UBIB-1824	24"X18"X32-1/2"	24"	95	65
UBIB-1830	30"X18"X32-1/2"	30"	121	74
UBIB-1836	36"X18"X32-1/2"	36"	148	83

DETAILED SPECIFICATIONS



ICE BIN - SLIM-LINE, 18" WIDTH

MODEL #	SIZE (LXWXH)	LENGTH (L)	CAPACITY (LBS)	WT. (LBS)
UBIB-1824	24"X18"X32-1/2"	24"	95	65
UBIB-1830	30"X18"X32-1/2"	30"	121	74
UBIB-1836	36"X18"X32-1/2"	36"	148	83

SOME UNITS SHIP UNASSEMBLED FOR REDUCED SHIPPING COST. ALL DIMENSIONS ARE TYPICAL. TOLERANCE +/- .500"

John Boos & Co. is constantly engaged in a program of improving products and therefore reserves the right to change specifications without prior notice.



3601 S. Banker St. • Effingham, IL 62401 • quotes@johnboos.com

110321

27



www.johnboos.com