



**John
BOOS**
Since 1887

ITEM #: _____ QTY: _____
 MODEL #: _____
 PROJECT NAME: _____

110321

3601 S. Banker St. Effingham, IL 62401 • Ph: (888) 431-2667 • Fax: (800) 433-2667

"UBDB-18" UNDERBAR DRAINBOARDS



SLIM-LINE, 18" WIDTH

STANDARD FEATURES:

- ALL 18 GAUGE STAINLESS STEEL CONSTRUCTION
- TYPE 300 STAINLESS STEEL WITH #4 POLISH, SATIN FINISH
- STANDARD PRE-DRILLED HOLES ON SIDES FOR ATTACHING ADJACENT UNITS TOGETHER
- SLIM LINE 18" DEEP FRONT TO BACK
- CREASED DECK FOR IMPROVED DRAINAGE
- REMOVABLE PERFORATED DRAINBOARD INSERT FOR INCREASED AIR CIRCULATION.
- STANDARD FRONT INSERTS FOR SPEED RAIL ATTACHMENT
- STAINLESS STEEL FRONT TO BACK BRACING



SPECIFICATIONS:

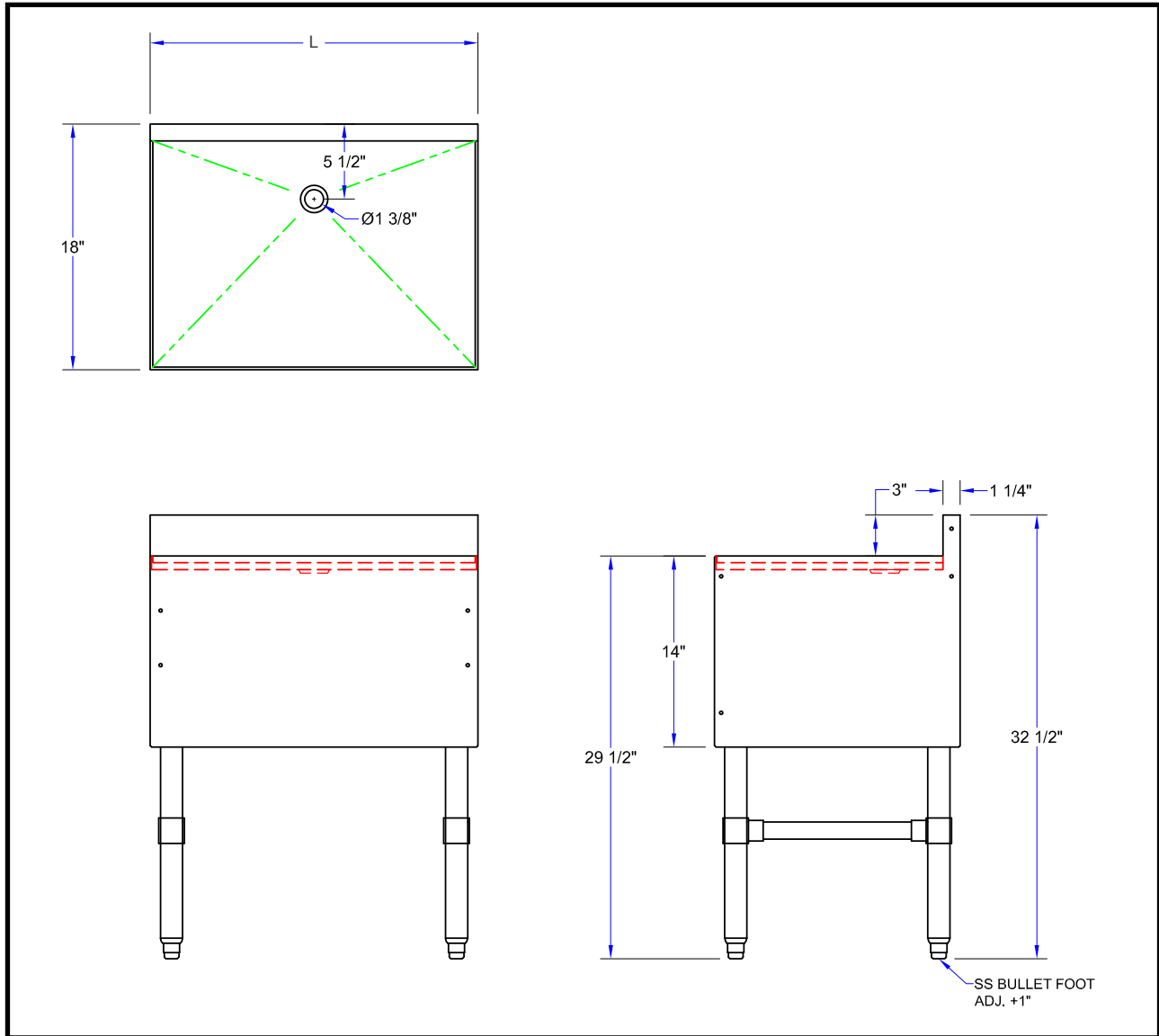
- MATERIALS
 - TOP: 18 GAUGE TYPE 300 STAINLESS STEEL
 - FRONT APRON: 18 GAUGE TYPE 300 STAINLESS STEEL
 - BACKSPLASH: 18 GAUGE TYPE 300 STAINLESS STEEL
 - SIDES: 18 GAUGE TYPE 300 STAINLESS STEEL
- LEGS AND BRACING
 - BOLT ON 1-5/8" STAINLESS STEEL LEGS FOR FAST INSTALLATION
 - 1-1/4" FRONT TO BACK BRACING
 - 1" ADJUSTABLE STAINLESS STEEL BULLET FEET
- MOUNTING OPTIONS
 - Z-CLIP TO MOUNT TO WALL
 - BOLT TO ADJACENT UNDERBAR PIECE
 - MOUNTING OPTIONS ALLOW FOR FLEXIBLE INSTALLATION OPTIONS TO REMOVE BACK OR FRONT AND BACK LEGS FOR A CLEAN INSTALLATION
- PLUMBING
 - 1-3/8" DRAIN
 - 1" MPT 1-1/2" LONG DRAIN CONNECTION
- NSF CERTIFIED

ACCESSORIES	DESCRIPTION
UBSS-18-L	SLIM-LINE, LEFT HAND SIDE SPLASH
UBSS-18-R	SLIM-LINE, RIGHT HAND SIDE SPLASH
UBSR1-24	24" SINGLE SPEED RAIL
UBSR1-30	30" SINGLE SPEED RAIL
UBSR1-36	36" SINGLE SPEED RAIL
UBSR2-24	24" DOUBLE SPEED RAIL
UBSR2-30	30" DOUBLE SPEED RAIL
UBSR2-36	36" DOUBLE SPEED RAIL

DRAINBOARDS - SLIM-LINE, 18" WIDTH

MODEL #	SIZE (LXWXH)	LENGTH (L)	WT. (LBS)
UBDB-1812	12"X18"X32-1/2"	12"	31
UBDB-1818	18"X18"X32-1/2"	18"	36
UBDB-1824	24"X18"X32-1/2"	24"	41
UBDB-1830	30"X18"X32-1/2"	30"	46
UBDB-1836	36"X18"X32-1/2"	36"	51

DETAILED SPECIFICATIONS



DRAINBOARDS - SLIM-LINE, 18" WIDTH

MODEL #	SIZE (LXWXH)	LENGTH (L)	WT. (LBS)
UBDB-1812	12"X18"X32-1/2"	12"	31
UBDB-1818	18"X18"X32-1/2"	18"	36
UBDB-1824	24"X18"X32-1/2"	24"	41
UBDB-1830	30"X18"X32-1/2"	30"	46
UBDB-1836	36"X18"X32-1/2"	36"	51

SOME UNITS SHIP UNASSEMBLED FOR REDUCED SHIPPING COST. ALL DIMENSIONS ARE TYPICAL. TOLERANCE +/- .500"
 John Boos & Co. is constantly engaged in a program of improving products and therefore reserves the right to change specifications without prior notice.



3601 S. Banker St. • Effingham, IL 62401 • quotes@johnboos.com

110321

9



www.johnboos.com