



**T&S BRASS AND BRONZE WORKS, INC.**  
 2 Saddleback Cove / P.O. Box 1088  
 Travelers Rest, SC 29690

Model No.  
**B-0708**

Item No.

Travelers Rest, SC: 800-476-4103 • Simi Valley, CA: 800-423-0150 • Fax: 864-834-3518 • www.tsbrass.com

This Space for Architect/Engineer Approval

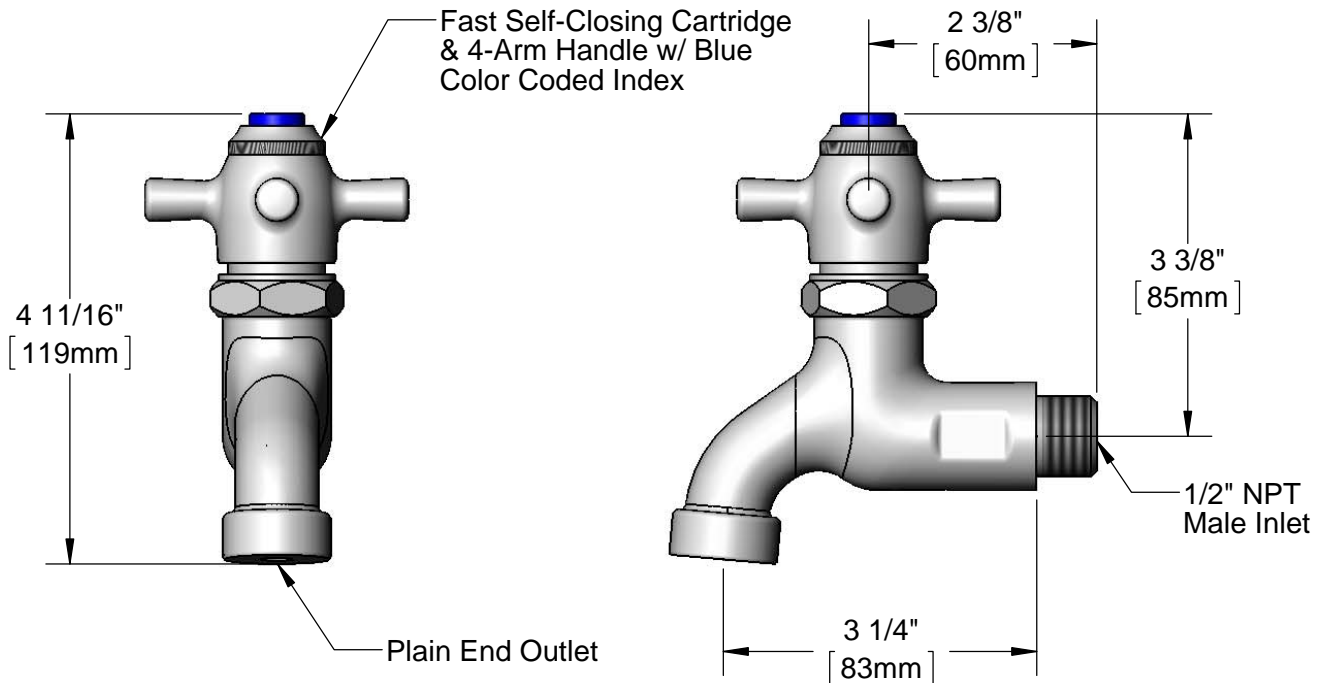
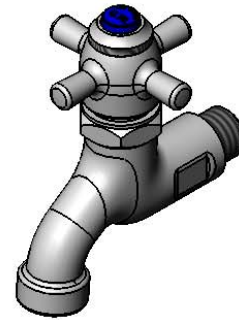
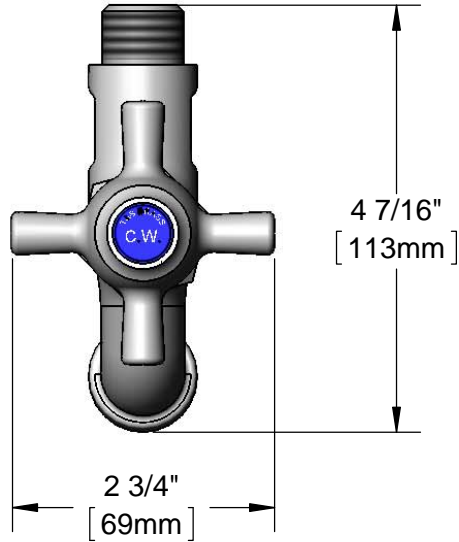
Job Name \_\_\_\_\_ Date \_\_\_\_\_

Model Specified \_\_\_\_\_ Quantity \_\_\_\_\_

Customer/Wholesaler \_\_\_\_\_

Contractor \_\_\_\_\_

Architect/Engineer \_\_\_\_\_



Rough-In Requirement:  
 $\phi$  1" [25mm] Mounting Hole

Product Specifications:  
 Fast Self-Closing Hose Bibb Faucet, 4-Arm Handle w/ Blue Color Coded Index,  
 Plain End Outlet & 1/2" NPT Male Inlet

Product Compliance:  
 ASME A112.18.1 / CSA B125.1  
 NSF 61 - Section 9  
 NSF 372 (Low Lead Content)

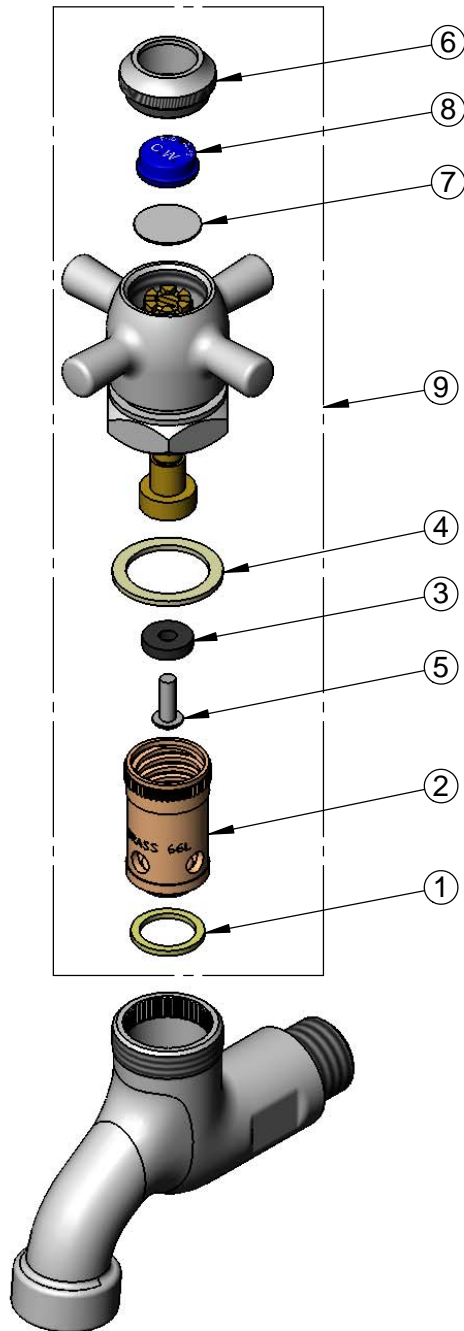


**T&S BRASS AND BRONZE WORKS, INC.**  
 2 Saddleback Cove / P.O. Box 1088  
 Travelers Rest, SC 29690

Model No.  
**B-0708**  
 Item No.

Travelers Rest, SC: 800-476-4103 • Simi Valley, CA: 800-423-0150 • Fax: 864-834-3518 • www.tsbrass.com

ITEM NO.	SALES NO.	DESCRIPTION
1	001022-45	Washer
2	000789-20	Removable Insert, LH Thread
3	001092-45	Seat Washer
4	002601-45	Washer
5	000933-45	B-1100 Seat Washer Screw
6	000674-40	Self Close Index Ring
7	001013-45	Self Close Handle Disc
8	001686-45	Blue CW Index
9	007900-40	Fast Self-Closing Cold Cartridge



Product Specifications:  
 Fast Self-Closing Hose Bibb Faucet, 4-Arm Handle w/ Blue Color Coded Index,  
 Plain End Outlet & 1/2" NPT Male Inlet

Product Compliance:  
 ASME A112.18.1 / CSA B125.1  
 NSF 61 - Section 9  
 NSF 372 (Low Lead Content)