



T&S BRASS AND BRONZE WORKS, INC.
 2 Saddleback Cove / P.O. Box 1088
 Travelers Rest, SC 29690

Model No.
B-0674-POL

Item No.

Travelers Rest, SC: 800-476-4103 • Simi Valley, CA: 800-423-0150 • Fax: 864-834-3518 • www.tsbrass.com



ADA Compliant

This Space for Architect/Engineer Approval

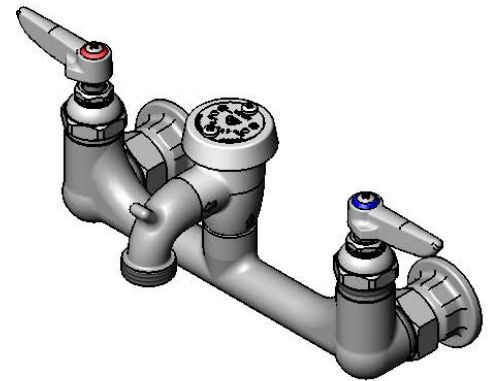
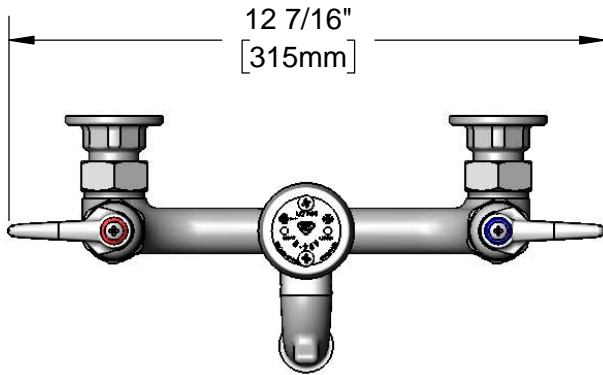
Job Name _____ Date _____

Model Specified _____ Quantity _____

Customer/Wholesaler _____

Contractor _____

Architect/Engineer _____

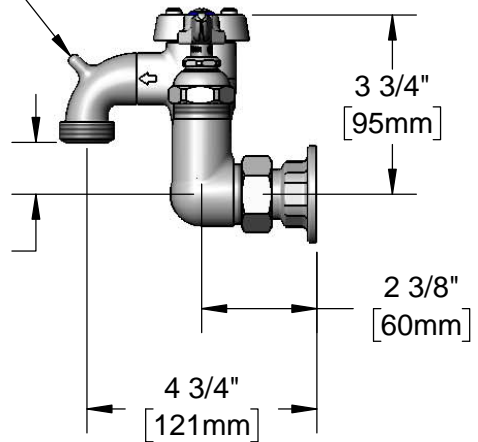
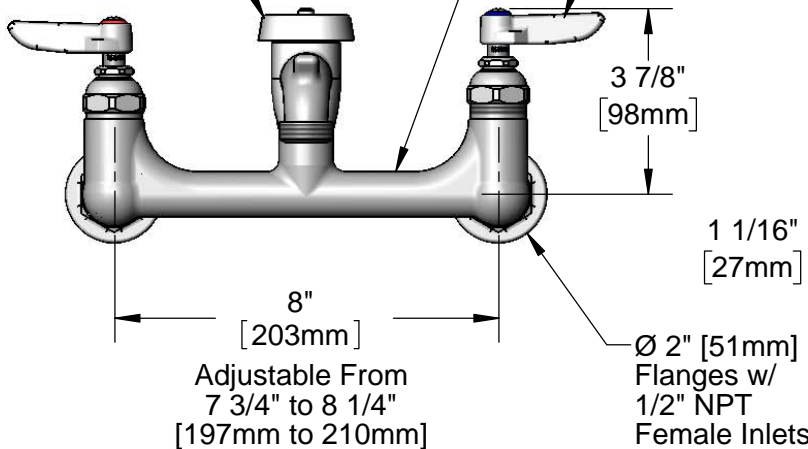


B-0969
 1/2" NPT
 Atmospheric
 Vacuum
 Breaker

Polished Chrome
 Finish on Faucet
 Body & Spout

Quarter-Turn Eterna
 Cartridges w/ Spring
 Checks & Lever Handles
 w/ Color Coded Indexes

Spout w/ Pail Hook
 & Garden Hose Male
 Outlet



Adjustable From
 7 3/4" to 8 1/4"
 [197mm to 210mm]

Ø 2" [51mm]
 Flanges w/
 1/2" NPT
 Female Inlets

Product Specifications:

8" Wall Mount Polished Chrome Service Sink Faucet, Quarter-Turn Eterna Cartridges w/ Spring Checks, Lever Handles, Garden Hose Male Outlet, Spout w/ Pail Hook & 1/2" NPT Female Inlets

Product Compliance:

ASME A112.18.1 / CSA B125.1
 NSF 61 - Section 9
 NSF 372 (Low Lead Content)
 ANSI A117.1 (ADA)
 ASSE 1001 (VB)



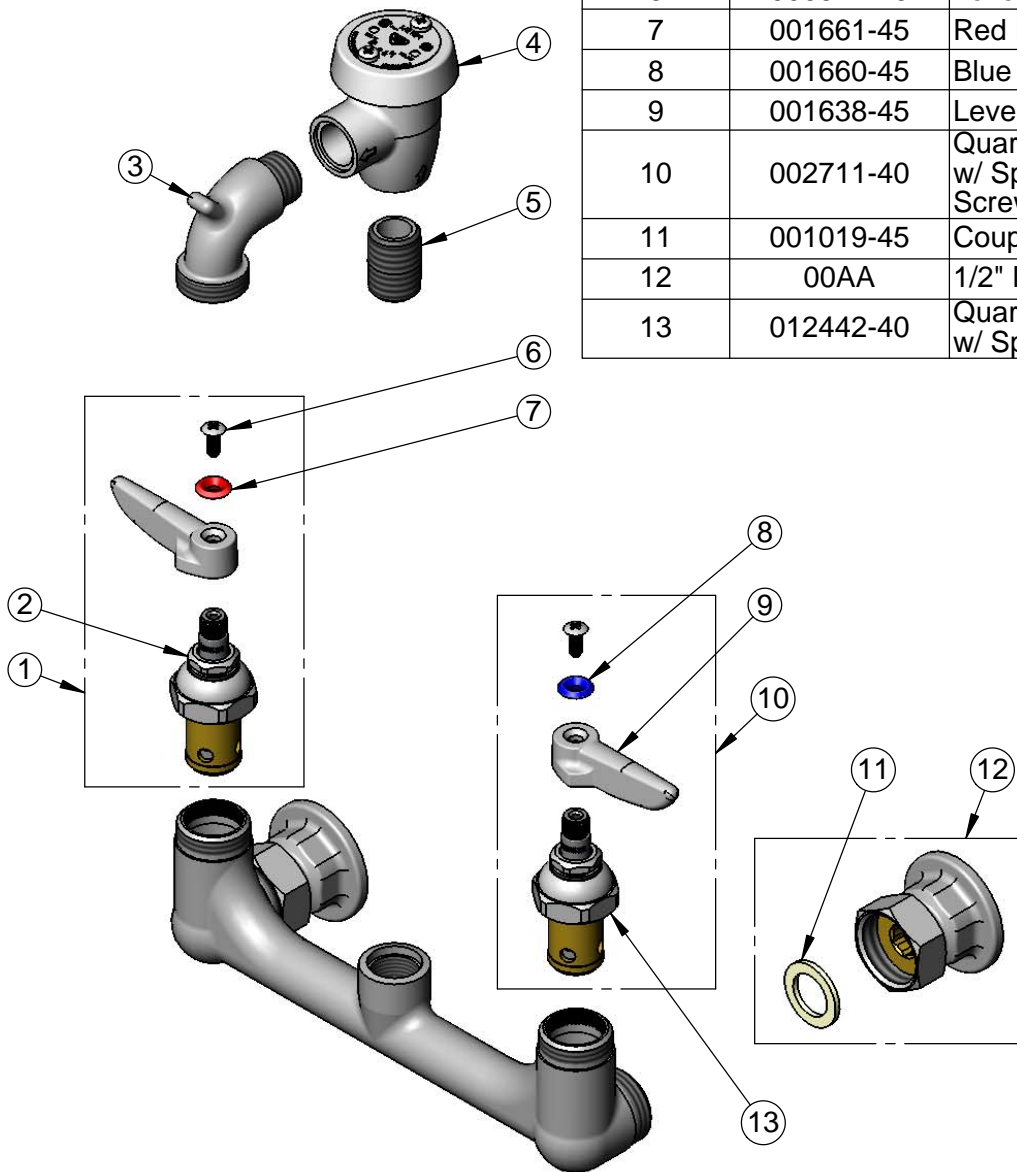
T&S BRASS AND BRONZE WORKS, INC.
 2 Saddleback Cove / P.O. Box 1088
 Travelers Rest, SC 29690

Model No.
B-0674-POL

Item No.

Travelers Rest, SC: 800-476-4103 • Simi Valley, CA: 800-423-0150 • Fax: 864-834-3518 • www.tsbrass.com

ITEM NO.	SALES NO.	DESCRIPTION
1	002712-40	Quarter-Turn Eterna Cartridge, RTC w/ Spring Check, Handle, Index & Screw
2	012443-40	Quarter-Turn Eterna Cartridge, RTC w/ Spring Check
3	000270-40	Polished Chrome Spout w/ Garden Hose Outlet
4	B-0969	1/2" NPT Vacuum Breaker
5	002534-25	Close Nipple, 1/2"
6	000922-45	Lever Handle Screw
7	001661-45	Red Index-HW
8	001660-45	Blue Index-CW
9	001638-45	Lever Handle
10	002711-40	Quarter-Turn Eterna Cartridge, LTC w/ Spring Check, Handle, Index & Screw
11	001019-45	Coupling Nut Washer
12	00AA	1/2" NPT Coupling Flange
13	012442-40	Quarter-Turn Eterna Cartridge, LTC w/ Spring Check



Product Specifications:

8" Wall Mount Polished Chrome Service Sink Faucet, Quarter-Turn Eterna Cartridges w/ Spring Checks, Lever Handles, Garden Hose Male Outlet, Spout w/ Pail Hook & 1/2" NPT Female Inlets

Product Compliance:

ASME A112.18.1 / CSA B125.1
 NSF 61 - Section 9
 NSF 372 (Low Lead Content)
 ANSI A117.1 (ADA)
 ASSE 1001 (VB)