



T&S BRASS AND BRONZE WORKS, INC.
 2 Saddleback Cove / P.O. Box 1088
 Travelers Rest, SC 29690

Model No.
B-0655-01

Item No.

Travelers Rest, SC: 800-476-4103 • Simi Valley, CA: 800-423-0150 • Fax: 864-834-3518 • www.tsbrass.com



ADA Compliant

This Space for Architect/Engineer Approval

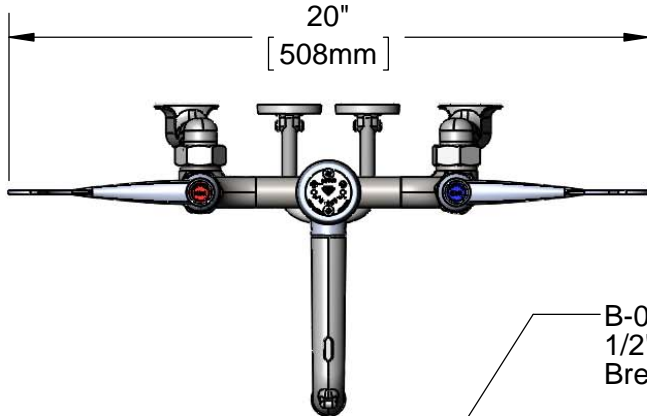
Job Name _____ Date _____

Model Specified _____ Quantity _____

Customer/Wholesaler _____

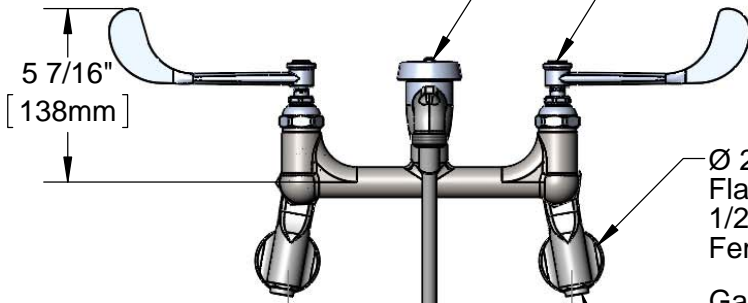
Contractor _____

Architect/Engineer _____



B-0969
 1/2" NPT Vacuum
 Breaker

Eterna Cartridges w/
 Spring Checks & 6"
 Wrist Action Handles
 w/ Color Coded Indexes

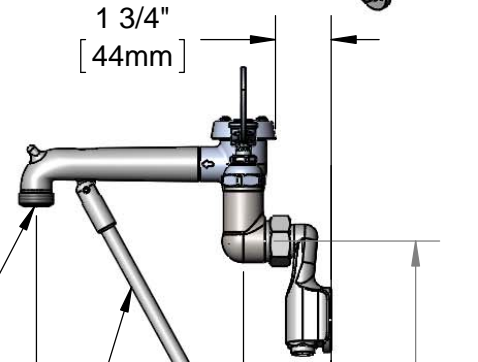


Ø 2" [51mm]
 Flanges w/
 1/2" NPT
 Female Inlets

Garden Hose
 Male Outlet

Lower Wall Support
 Rod w/ Wall Bracket
 & Mounting Screws

Built-In
 Service Stops



1 3/4"
 [44mm]

11 1/8"
 [283mm]

2 3/4"
 [70mm]

9 3/16"
 [234mm]

Mounting Surface

2 7/16"
 [62mm]

Inlets Adjustable
 from 3 1/4" [83mm]
 to 12 3/4" [324mm]
 Below or Above
 Centerline

Product Specifications:

Adjustable Wall Mount Service Sink Faucet, Eterna Cartridges w/ Spring Checks, 6" Wrist Action Handles, Lower Support Rod, 1/2" NPT Adjustable Inlets w/ Supply Stops, Male Garden Hose Outlet, Polished Chrome Finish & 1/2" NPT Vacuum Breaker

Product Compliance:

ASME A112.18.1 / CSA B125.1
 NSF 61 - Section 9
 NSF 372 (Low Lead Content)
 ANSI A117.1 (ADA)
 ASSE 1001 (VB)



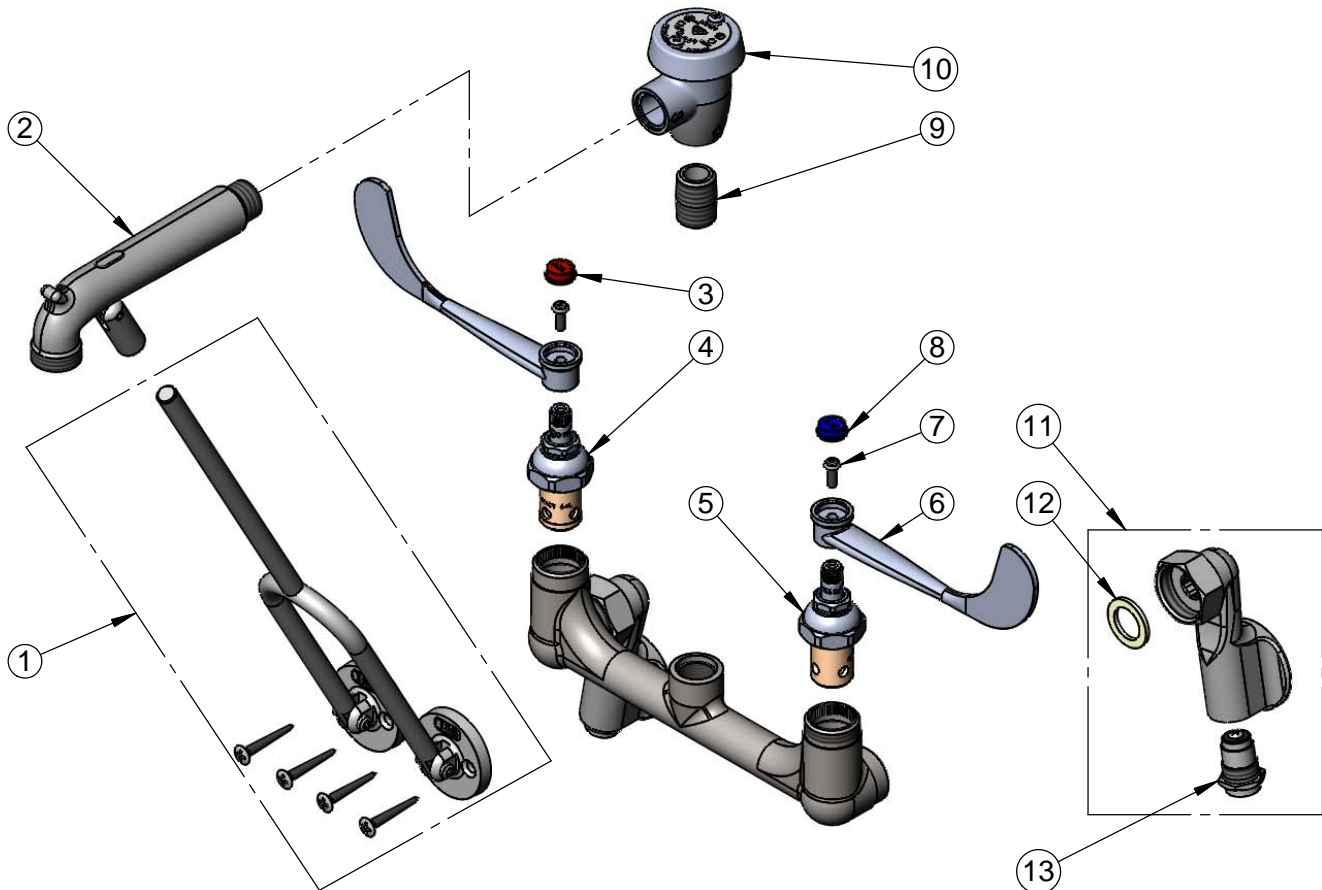
T&S BRASS AND BRONZE WORKS, INC.
 2 Saddleback Cove / P.O. Box 1088
 Travelers Rest, SC 29690

Model No.
B-0655-01

Item No.

Travelers Rest, SC: 800-476-4103 • Simi Valley, CA: 800-423-0150 • Fax: 864-834-3518 • www.tsbrass.com

ITEM NO.	SALES NO.	DESCRIPTION
1	009616-40	Lower Support Rod w/ Mounting Screws
2	016450-40	Spout, Polished Chrome w/ Bottom Support Clevis
3	001194-45	Red Index - HW
4	012443-40	Eterna Cartridge, RTC w/ Spring Check
5	012442-40	Eterna Cartridge, LTC w/ Spring Check
6	B-WH6	6" Wrist Action Handle
7	000925-45	Lab Handle Screw </td
8	001686-45	Blue Index - CW
9	002534-25	Close Nipple, 1/2" NPT
10	B-0969	1/2" NPT Vacuum Breaker
11	00XX	1/2" NPT Adjustable Inlet Flange w/ Screw Driver Stop
12	001019-45	Coupling Nut Washer
13	163A	Built-in Service Stops



Product Specifications:

Adjustable Wall Mount Service Sink Faucet, Eterna Cartridges w/ Spring Checks, 6" Wrist Action Handles, Lower Support Rod, 1/2" NPT Adjustable Inlets w/ Supply Stops, Male Garden Hose Outlet, Polished Chrome Finish & 1/2" NPT Vacuum Breaker

Product Compliance:

ASME A112.18.1 / CSA B125.1
 NSF 61 - Section 9
 NSF 372 (Low Lead Content)
 ANSI A117.1 (ADA)
 ASSE 1001 (VB)