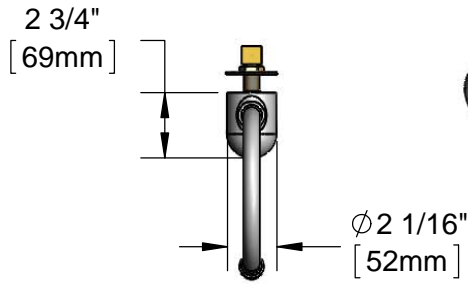


This Space for Architect/Engineer Approval

Job Name _____ Date _____
 Model Specified _____ Quantity _____
 Customer/Wholesaler _____
 Contractor _____
 Architect/Engineer _____



ADA Compliant

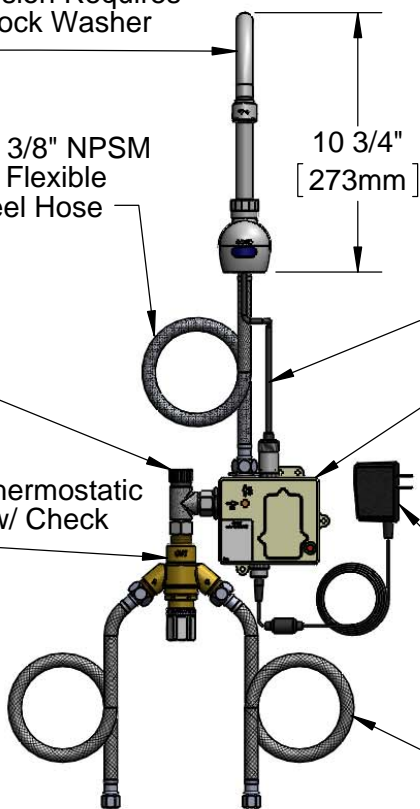


Swivel Gooseneck w/
 2.2 GPM [8.3 LPM]
 Vandal Resistant Aerator.
 Rigid Conversion Requires
 017421-45 Lock Washer
 (Included)

1/2" NPSM x 3/8" NPSM
 30" [762mm] Flexible
 Stainless Steel Hose

Removable
 Strainer

ASSE 1070 Thermostatic
 Mixing Valve w/ Check
 Valves

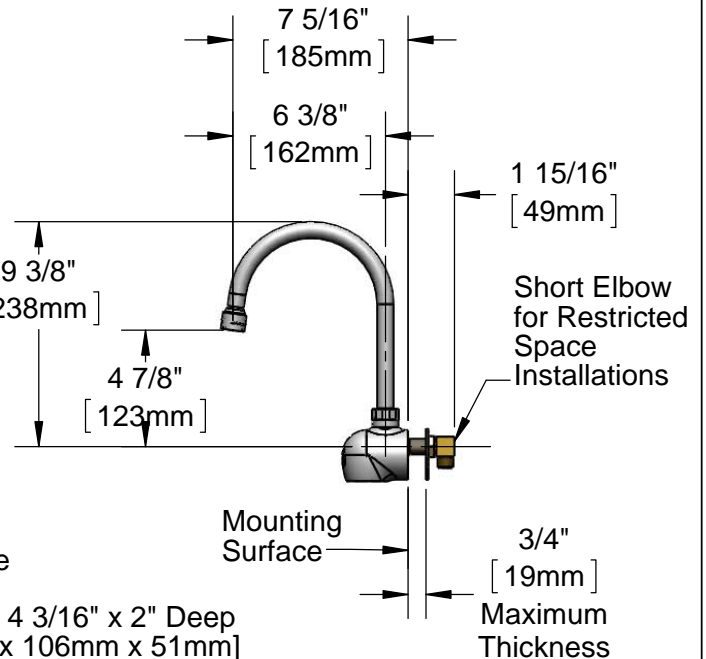


24" [610mm]
 Sensor Cable

3 5/8" x 4 3/16" x 2" Deep
 [92mm x 106mm x 51mm]
 Water Resistant Control Module
 Box (White). AC or DC Operated
 w/ (4) AA Batteries

100-240 VAC Adapter
 w/ 71" [1800mm] Power
 Cord. (Remove Rubber
 Plugs on Module and
 Cable to Connect)

(2) 3/8" Compression x 1/2" NPSM
 18" [457mm] Flexible Stainless Steel
 Supply Hose



Short Elbow
 for Restricted
 Space
 Installations

Mounting
 Surface

3/4"
 [19mm]
 Maximum
 Thickness

Rough-In Requirement:
 Ø 1 1/8" [29mm] Mounting Hole

Model Number

5EF-1D-WG-TMV

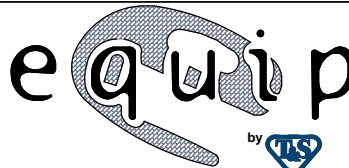
Product Specifications:

Electronic Faucet: Wall Mount Swivel Gooseneck w/ VR Aerator,
 AC-DC Control Module, Thermostatic Temperature Control Mixing
 Valve w/ Integral Check Valves & 18" Long Flexible Supply Stop Hoses

Product Compliance:

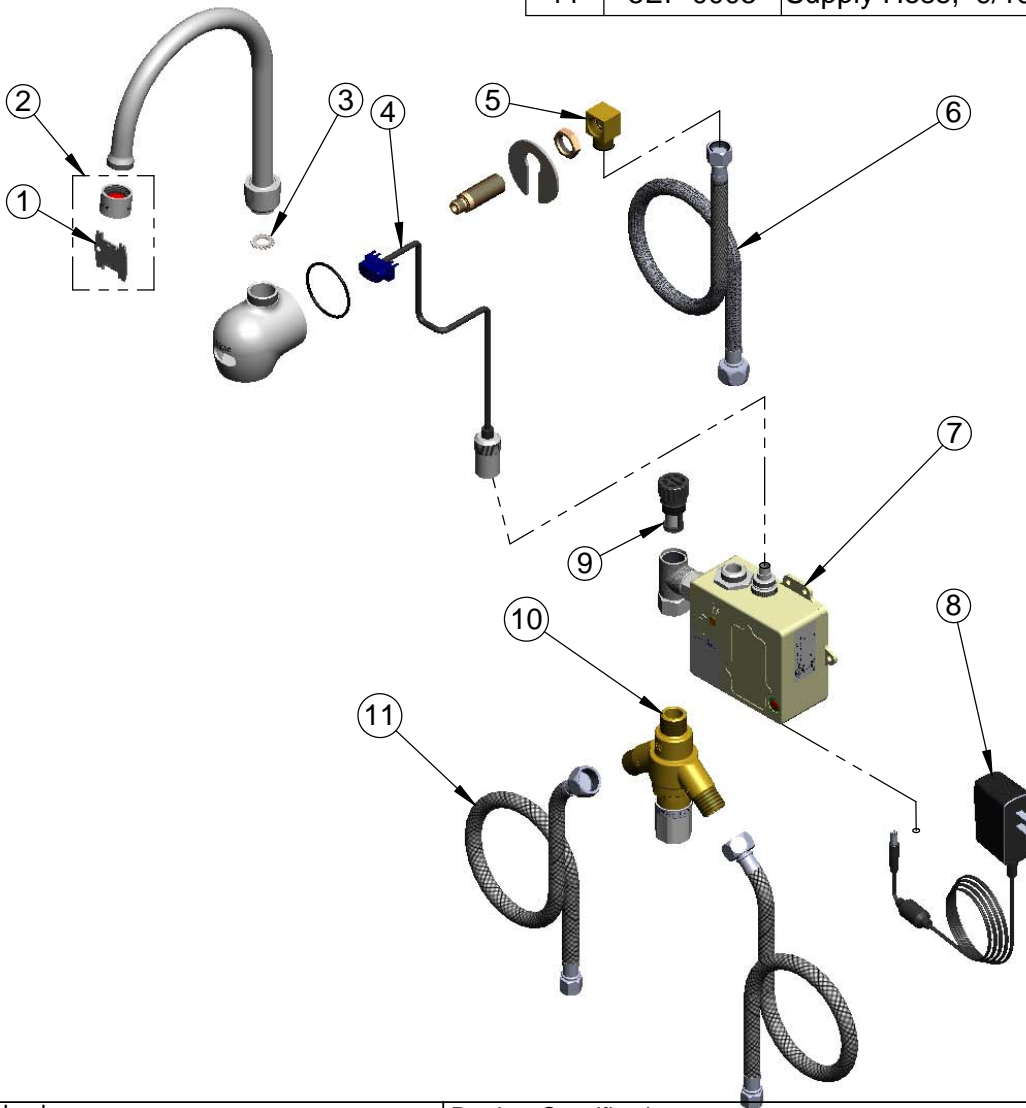
ASME A112.18.1 / CSA B125.1
 NSF 61 - Section 9
 NSF 372 (Low Lead Content)
 ANSI A117.1 (ADA)
 UL 1951
 ASSE 1070 (TMV)

equip
 Foodservice
 Accessories



2 Saddleback Cove, P.O. Box 1088
 Travelers Rest, South Carolina 29690
 Phone: 800.891.4808 Fax: 800.868.0084
 equip.tsbrass.com

ITEM NO.	SALES NO.	DESCRIPTION
1	015425-45	Vandal Resistant Key
2	B-0199-06	VR 2.2 GPM Aerator, 55/64-27 UN Female w/ Key
3	017421-45	Serrated Lock Washer
4	5EF-0003	24" Sensor Cable
5	015345-20	3/8-18 NPSM Low Profile Elbow
6	016325-45	Inlet Hose, Faucet, 1/2" NPSM-F x 3/8" NPSM-F
7	5EF-0001	equip Sensor Faucet Control Module
8	5EF-0002	equip AC Transformer, 100-240 VAC
9	5EF-FILTER	Replacement Filter
10	5EF-TMV	ASSE 1070 Thermostatic Mixing Valve
11	5EF-0005	Supply Hose, 9/16-24 Female x 1/2" NPSM



Model Number

5EF-1D-WG-TMV

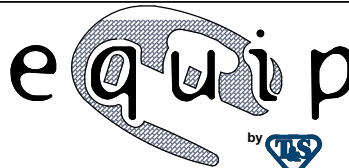
Product Specifications:

Electronic Faucet: Wall Mount Swivel Gooseneck w/ VR Aerator, AC-DC Control Module, Thermostatic Temperature Control Mixing Valve w/ Integral Check Valves & 18" Long Flexible Supply Stop Hoses

Product Compliance:

ASME A112.18.1 / CSA B125.1
 NSF 61 - Section 9
 NSF 372 (Low Lead Content)
 ANSI A117.1 (ADA)
 UL 1951
 ASSE 1070 (TMV)

equip
 Foodservice
 Accessories



2 Saddleback Cove, P.O. Box 1088
 Travelers Rest, South Carolina 29690
 Phone: 800.891.4808 Fax: 800.868.0084
 equip.tsbrass.com