



T&S BRASS AND BRONZE WORKS, INC.
 2 Saddleback Cove / P.O. Box 1088
 Travelers Rest, SC 29690

Model No.
TPS1015-B0205V5

Item No.

Travelers Rest, SC: 800-476-4103 • Simi Valley, CA: 800-423-0150 • Fax: 864-834-3518 • www.tsbrass.com

This Space for Architect/Engineer Approval

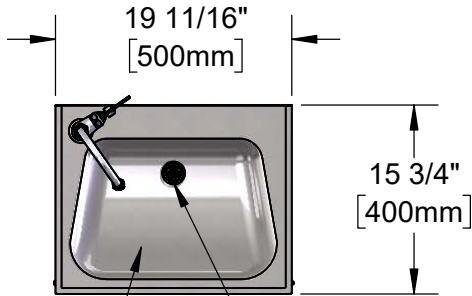
Job Name _____ Date _____

Model Specified _____ Quantity _____

Customer/Wholesaler _____

Contractor _____

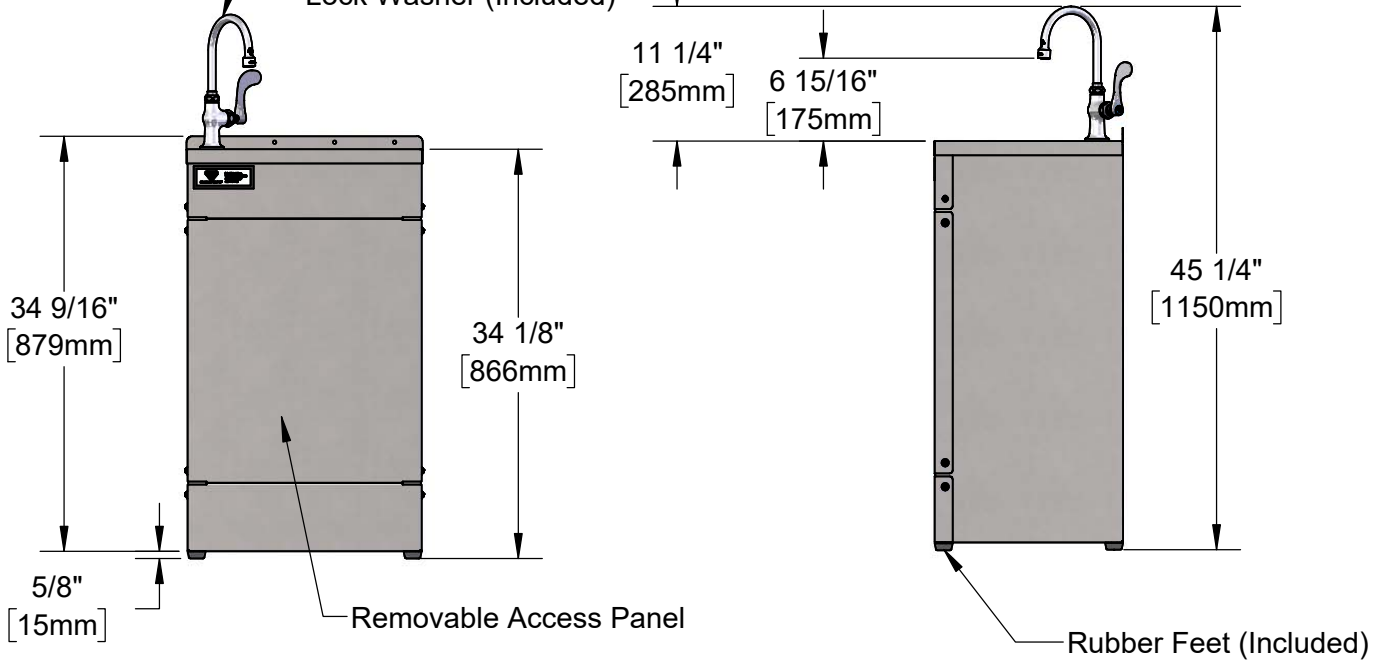
Architect/Engineer _____



Trapezoidal Bowl — Removable Grid Strainer



B-0205-E133X4V5
 Swivel Gooseneck w/
 VR 0.5 GPM Non-Aerated
 Spray Device. Converts
 to Rigid w/ 014200-45
 Lock Washer (Included)



Product Specifications:
 Portable Handwashing Station, Single Temperature Deck Mount Faucet,
 Quarter-Turn Eterna Cartridge w/ Spring Check, 4" Wrist Action Handle,
 5 7/16" Swivel/Rigid Gooseneck w/ 0.5 GPM Vandal Resistant Non-Aerated
 Spray Device, 1/2" NPSM Male Inlet & 3/4" Hose Connections for Fresh Water
 & Waste

Product Compliance:
 ASME A112.18.1 / CSA B125.1
 NSF 61 - Section 9
 NSF 372 (Low Lead Content)



T&S BRASS AND BRONZE WORKS, INC.

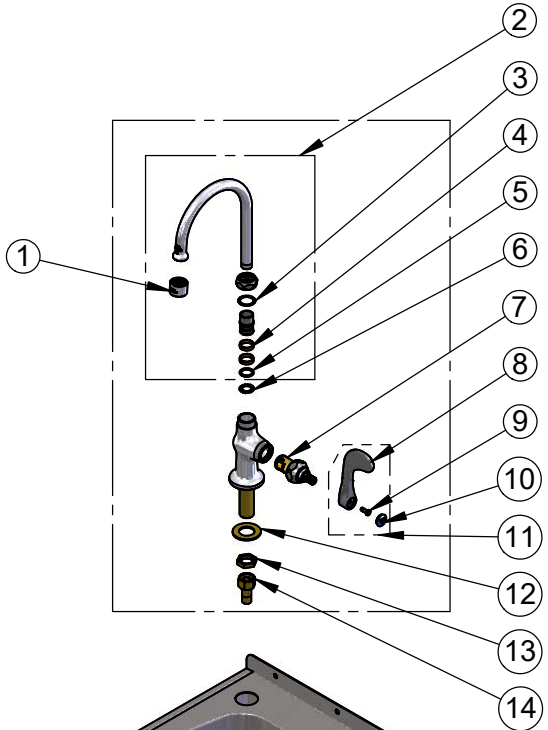
2 Saddleback Cove / P.O. Box 1088
Travelers Rest, SC 29690

Model No.

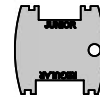
TPS1015-B0205V5

Item No.

Travelers Rest, SC: 800-476-4103 • Simi Valley, CA: 800-423-0150 • Fax: 864-834-3518 • www.tsbrass.com



ITEM NO.	SALES NO.	DESCRIPTION
1	B-0199-06-N05	VR 0.5 GPM Non-Aerated Spray Device, 55/64-27 UN Female w/ Key
2	019283-40	5 7/16" Swivel Gooseneck w/ VR 0.5 GPM Non-Aerated Spray Device
3	009538-45	Swivel Washer
4	011429-45	Swivel Sleeves (2)
5	001074-45	O-Ring
6	014200-45	Star Washer, Anti-Rotation
7	012443-40NS	Quarter-Turn Eterna Cartridge w/ Spring Check, RTC
8	B-WH4-NS	Wrist Action Handle - New Style
9	000925-45	Lab Handle Screw
10	018506-19NS	Blue Button Index, Press-in
11	B-WH4C-NS	Wrist Action Handle - New Style
12	000999-45	Brass Lock Washer
13	002954-45	Shank Lock Nut
14	150A	1/4" NPT Tailpiece & Nut



015425-45
Vandal Resistant
Key (Included)

Product Specifications:

Portable Handwashing Station, Single Temperature Deck Mount Faucet, Quarter-Turn Eterna Cartridge w/ Spring Check, 4" Wrist Action Handle, 5 7/16" Swivel/Rigid Gooseneck w/ 0.5 GPM Vandal Resistant Non-Aerated Spray Device, 1/2" NPSM Male Inlet & 3/4" Hose Connections for Fresh Water & Waste

Product Compliance:

ASME A112.18.1 / CSA B125.1
NSF 61 - Section 9
NSF 372 (Low Lead Content)