



WNM6107



40" x 24" x 24" (H x W x D)

White gas range in slim 24" width with electronic ignition; replaces WTM6107

Highlights:

Slim 24 inch width fits easily in small kitchens

Gas spark ignition adds convenience and safety

Porcelain construction on range top and oven for true durability

Lower broiler compartment provides even heat distribution

Product Features:

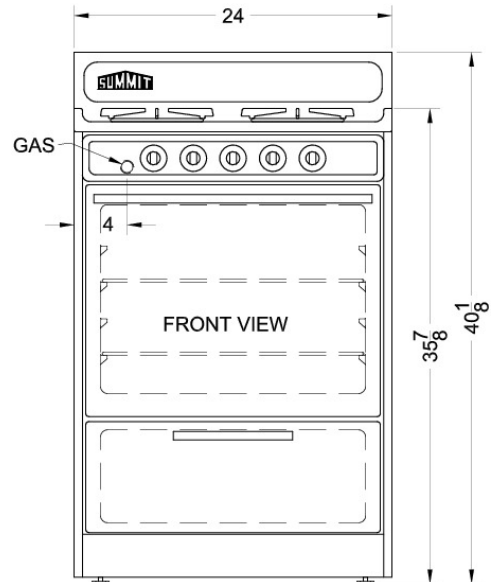
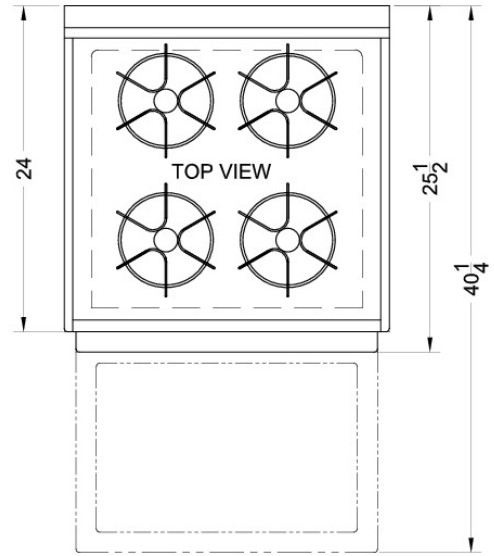
Slim 24 inch width	Apartment sized to fit in small or galley kitchens
Gas range	Natural gas range; can be converted to LP Gas in our shop or ordered with KIT LP for conversion
Electronic ignition	Gas spark ignition for automatic lighting of burners
Porcelain construction	White porcelain removable oven top and door
Broiler drawer	Lower compartment for separate broiling with even heat distribution
Broiler pan included	Two-piece porcelain broiler tray with grease well
Recessed oven door	Smart design limits the depth and protects adjacent cabinets



WNM6107 Specifications:

Overview	
Height to Cabinet	40.0"
Width	24.0"
Depth	24.0"
Door	White
Cabinet	White
Weight	150.0 lbs.
Shipping Weight	155.0 lbs.
Parts & Labor Warranty	1 Year

Gas Range	
Ignition	Spark
LP Convertible	With KitLP Accessory
Oven Capacity	2.92 cu.ft
Cooktop Surface	Porcelain
Burner Type	Open
Number of Burners	4
Burner #1 BTU	9000.0
Burner #2 BTU	9000.0
Burner #3 BTU	9000.0
Burner #4 BTU	9000.0
Burner Controls	Dial
Oven Controls	Dial
Backguard	Yes
Oven Interior Height	14.0"
Oven Interior Width	19.0"
Oven Interior Depth	19.0"
Broiler Door	White
Oven Door	White



SUMMIT APPLIANCE DIVISION FELIX STORCH, INC.

770 Garrison Avenue, Bronx, NY 10474 USA TEL 718-893-3900 FAX 844-478-8799

info@summitappliance.com



www.summitappliance.com