



www.santos.fr

**COFFEE SHOP
GRINDER #63**

SILENCE
EXCEPTIONAL OUTPUT
TURKISH COFFEE

**New
Coffee shop
Special**



Internationally patented models

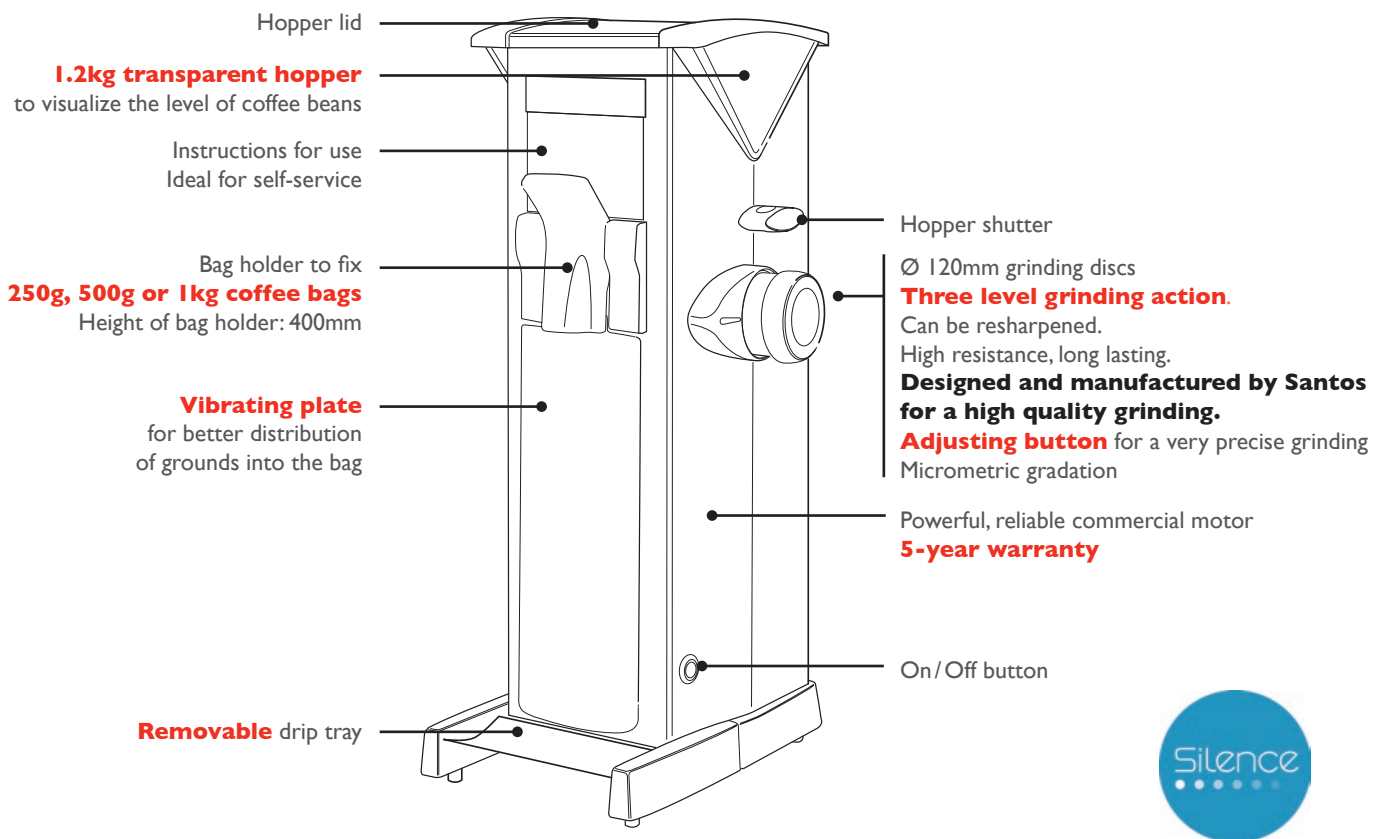




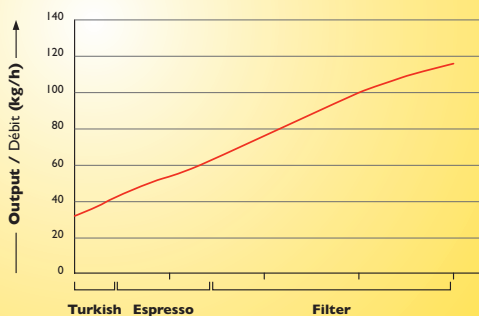
EXCEPTIONAL PERFORMANCE

The coffee shop grinder #63 is the ideal appliance for all stores which distribute large quantities of ground coffee: **coffee shops, supermarkets and roasting establishments.**

Fast, precise and reliable, it makes a quality grinding thanks to its precise setting and its Ø 120mm grinding discs, designed and manufactured by Santos. **Perfect to make turkish coffee.**



**Exceptional Output:
up to 120kg/h**



Thanks to the espresso coffee grinder #55, the brushless blender #62, the drink mixer #54 and the coffee shop grinder #63, **you have the full coffee shop solution !**

GRINDER #63



THE GRINDER FOR COFFEE SHOPS

www.santos.fr

Powerful exceptional performance

- Powerful asynchronous motor, very silent. **5-Year warranty**
- **Extremely fast**, the grinder #63 has a max output of 120kg/h.
- Sturdy product, adapted to intensive use.

Precision and quality grinding

- Santos manufactures its own grinding discs to give you a perfect, constant and fine grinding (no burnt coffee effect).
- The coffee grinder #63 is equipped with triple cut grinding discs (Ø 120mm) that **can be resharpened**.
- Very precise **micrometric** setting of the grinding fineness.
- **Makes turkish coffee**: turkish coffee output: 36 kg/h.

Comfort of use

- Accepts all kinds of bags: from 250g to 1kg.
- **Extremely silent** for a great comfort of use.
- Display of instructions on how to use the grinder, ideal for self-service use.



Your grinding discs can be resharpened

You have the possibility to resharpen your grinding discs to give them a second life

TECHNICAL SPECIFICATIONS



Motor

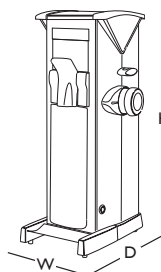
Single phase: 100-120V – 50/60Hz – 1500W – CE
220-240V – 50/60Hz – 1500W – CE

Speed: 1500rpm (50Hz)
1800rpm (60Hz)

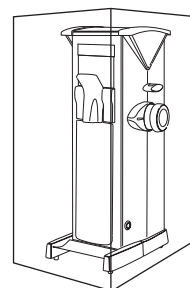


Weight

Net: 40Kg (88lbs)
Shipping: 49kg (108lbs)



APPLIANCE
W: 279mm (11")
D: 329mm (13")
H: 677mm (27")



SHIPPING BOX
W: 500mm (20")
D: 660mm (26")
H: 880mm (35")

SAFETY, STANDARDS, HYGIENE

In accordance with the following regulations

Machinery directive 2006/42/EC
Electromagnetic compatibility 2004/108/EC
"Low voltage" Directive 2006/95/EC
Regulation 1935/2004/EC (contact with food)
RoHS directive 2002/95/EC

Harmonized European Standards

EN ISO 12100 - 1 and 2: 2004
EN 60204-1: 2006
EN 60335-2-64 :2004 Commercial electric kitchen machines
CE European standards

Electrical Safety

- On/Off interlock switch is waterproof.
- All mechanical parts are ground connected.
- Appliances are 100% tested after assembly.

Thermal Safety

Motor protected by internal thermal detector.

Acoustic Safety

Very silent and powerful asynchronous motor.

Hygiene

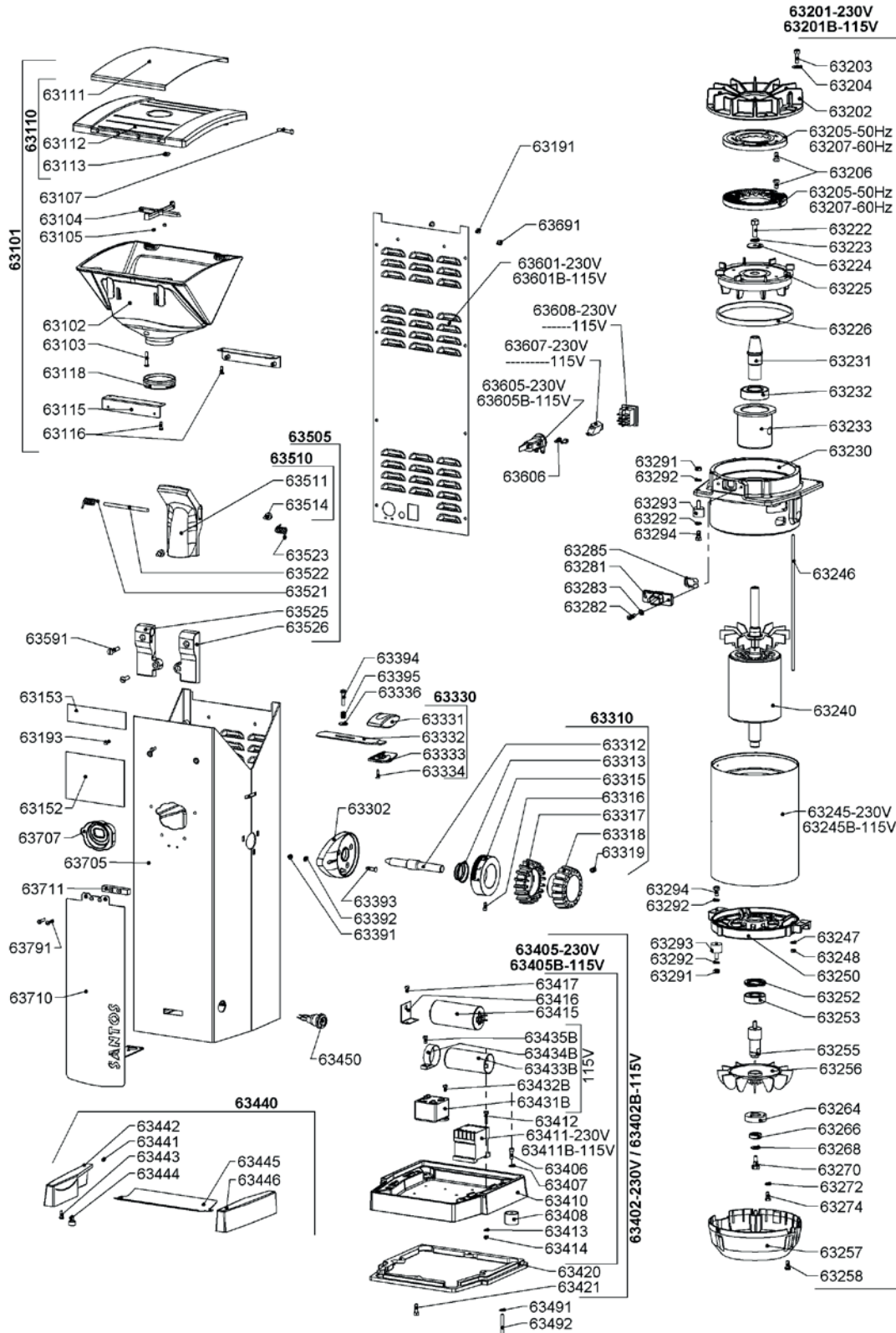
All removable parts can be put in a dishwasher or easily cleaned with hot soapy water.

PRODUCT: 2-YEAR WARRANTY – MOTOR: 5-YEAR WARRANTY



COFFEE SHOP GRINDER #63

www.santos.fr



SANTOS

140-150, avenue Roger Salengro BP 80 067 – 69511 Vaulx-en-Velin Cedex (Lyon) FRANCE - Tel. +33 4 72 37 35 29 - Fax. +33 4 78 26 58 21

Website : www.santos.fr – Email : santos@santos.fr