



www.santos.fr

AUTOMATIC ESPRESSO COFFEE GRINDER #55



Internationally patented models

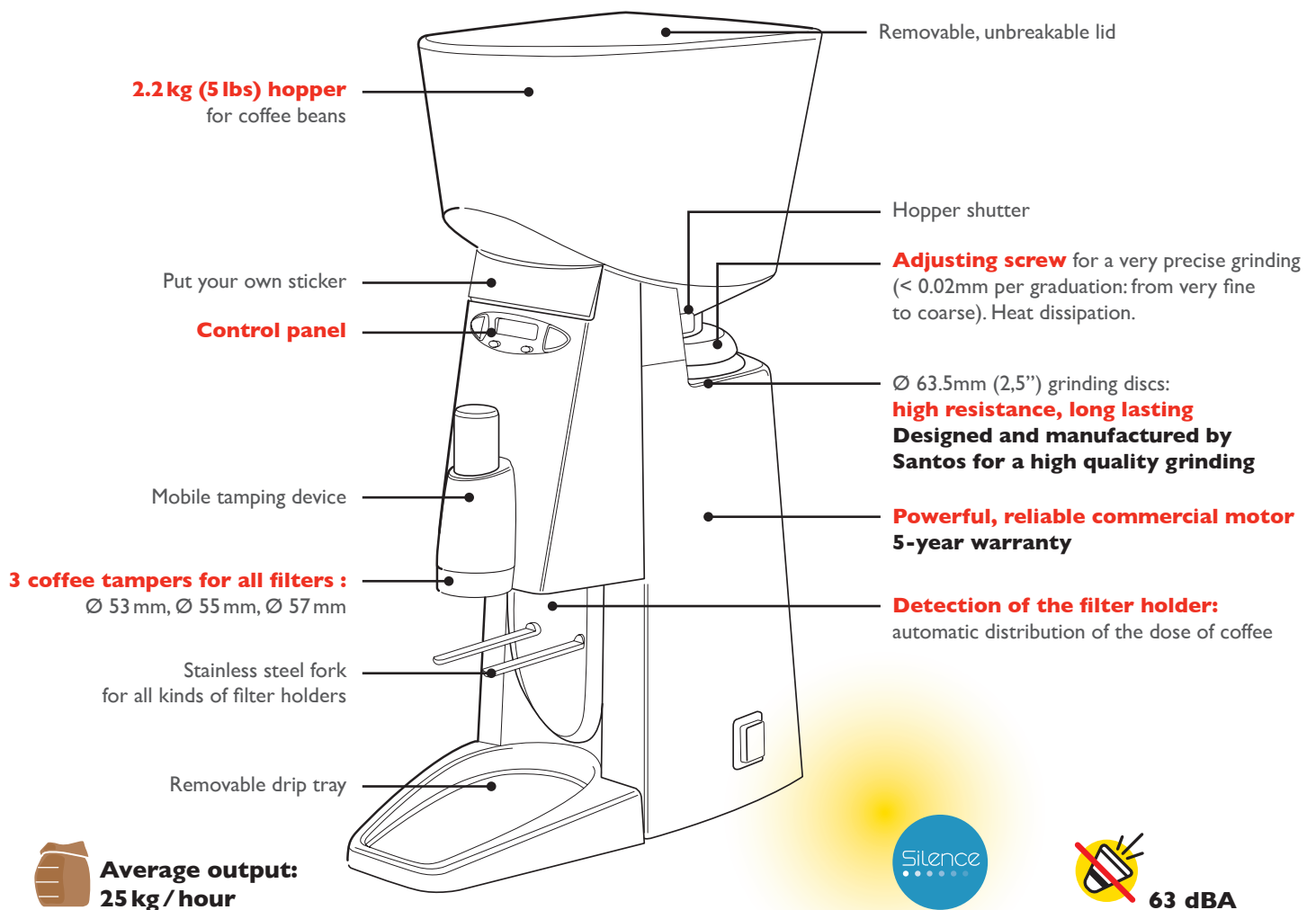




AUTOMATIC ESPRESSO

HIGH OUTPUT, LONG LIFE & SILENCE... FRESH GROUND COFFEE

The automatic coffee grinder # 55 dispenses the precise dose of coffee for 1 or 2 espressos, directly into the filter holder. Ideal appliance for bars, hotels, restaurants, and coffee shops, it stands beside the traditional 1, 2, or 3 groups espresso machine. Just select "1 coffee" or "2 coffees" and present the filter holder for an automatic and instant distribution of ground coffee. The automatic coffee grinder # 55 guarantees a fresh ground coffee with all its flavours.



COFFEE GRINDERS: SANTOS KNOW-HOW

Santos, 60 years experience

- Since 1954, we manufacture our own grinding discs for better results
- Santos is the leader in "Silent" coffee grinders
- Constant and fine grinding, constant portion dispensed
- No "burn coffee" effect while grinding, no electrostatic coffee phenomenon
- Easy to adjust (grinding and dosing) and to maintain (changing the grinding discs is very easy)

Watch
the video



COFFEE GRINDER #55



QUALITY COFFEE GRINDER

www.santos.fr

Powerful and reliable

- **Powerful asynchronous** motor for intensive use, very silent
- **5-YEAR WARRANTY**
- **Sturdy product** with aluminium body
- **Very efficient and quick:** one dose of coffee dispensed in less than 1 second

Quality grinding

- **Fresh ground coffee:** no dispenser, coffee beans are ground on demand and dispensed directly into the filter holder.
- Santos manufactures its own grinding discs to give you a **perfect grinding, constant and fine.**

Easy to use

- **3 tampers** (Ø 53 mm, Ø 55 mm, Ø 57 mm) are delivered with the product, for all sizes of filter holders.
- **Fully automatic:** the exact dose of coffee is automatically dispensed when the filter holder is detected.
- **Simply adjust** the grinding and dosing, and visualize the number of doses distributed thanks to the counter.



Control Panel

Thanks to the settings buttons – and +, you can adjust the timer for each dose (2.6g to 20g).
Select the dose (1 or 2 coffees) and present the filter holder for an automatic distribution of fresh ground coffee.
You can visualize the number of doses dispensed on the digit counter (total counter and partial counter). You can reset the partial counter.



TECHNICAL SPECIFICATIONS



Motor

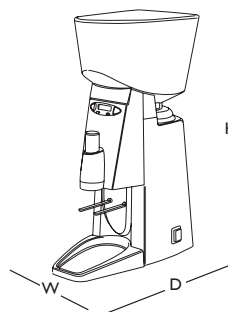
Single phase: 100-120 V – 50/60 Hz – 800 W – CE, UL
220-240 V – 50/60 Hz – 1100 W – CE, KC

Speed: 2 800 rpm (50 Hz)
3 500 rpm (60 Hz)

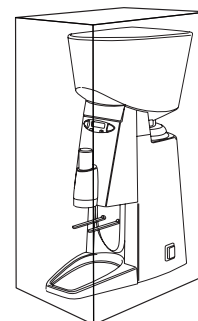


Weight

Net: 15 Kg (33 lbs)
Shipping: 17 Kg (37 lbs)



APPLIANCE
D: 397 mm (16")
W: 198 mm (8")
H: 577 mm (23")



SHIPPING BOX
D: 450 mm (18")
W: 245 mm (10")
H: 660 mm (26")

SAFETY, STANDARDS, HYGIENE

In accordance with the following regulations

Machinery directive 2006/42/EC
Electromagnetic compatibility 2004/108/EC
"Low voltage" Directive 2006/95/EC
Regulation 1935/2004/EC (contact with food)
RoHS directive 2002/95/EC

Harmonized European Standards:

EN ISO 12100 - 1 and 2: 2004
EN 60204-1: 2006
EN 60335-2-64: 2004 Commercial electrical kitchen machines

CE (European standards), UL (USA) and cUL (Canada), KC (Korea)

Electrical Safety

- On/Off interlock switch is waterproof
- All mechanical parts are ground connected
- Appliances are 100% tested after assembly

Thermal Safety

Motor protected by internal thermal detector

Acoustic Safety

Very silent and powerful asynchronous motor

Hygiene

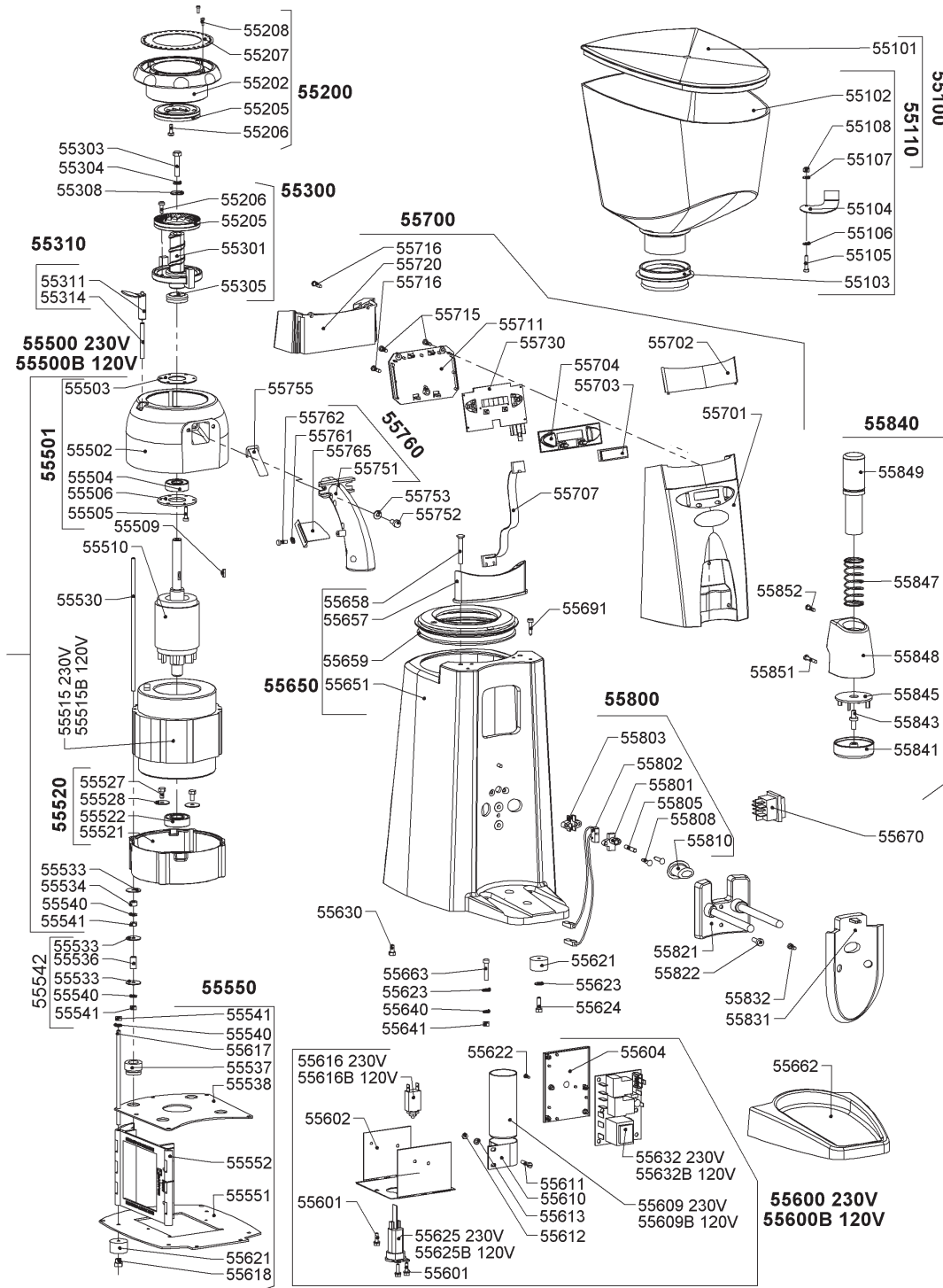
All removable parts can be put in a dishwasher or easily cleaned with hot soapy water.

PRODUCT: 2-YEAR WARRANTY – MOTOR: 5-YEAR WARRANTY



AUTOMATIC ESPRESSO COFFEE GRINDER #55

www.santos.fr



SANTOS

140-150, avenue Roger Salengro BP 80 067 – 69511 Vaulx-en-Velin Cedex (Lyon) FRANCE - Tel. +33 4 72 37 35 29 - Fax. +33 4 78 26 58 21

Website : www.santos.fr – Email : santos@santos.fr