



www.santos.fr

**SILENT PORTION COFFEE GRINDER
WITH TIMER #42**



Internationally patented models





SILENT PORTION COFFEE

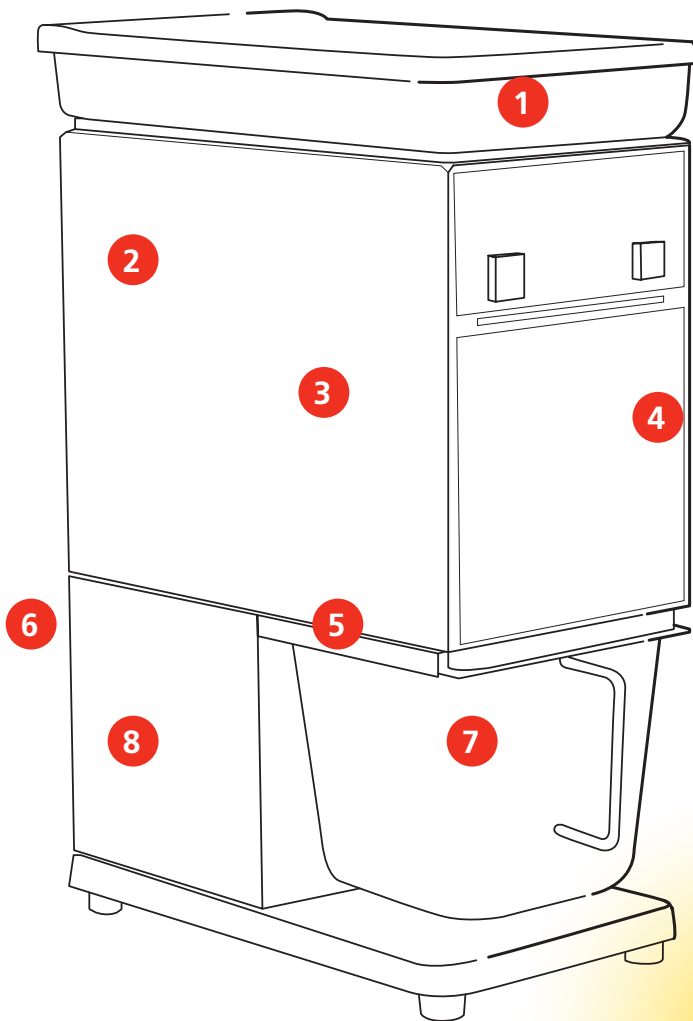
PORTION COFFEE GRINDER WITH TIMER

Sturdy and powerful coffee grinder with timer, delivered with a drawer.

Easy to use and efficient, the coffee grinder #42 will give you a fresh grinding for your filter coffee.

The amount of coffee distributed is set with a timer.

Ideal for hotels, bars, institutions, coffee shops, cafeterias...



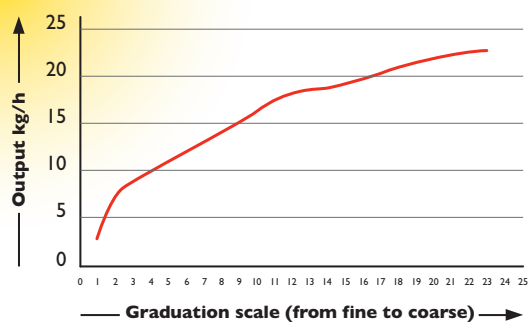
1. 2 kg (4.4lbs) hopper
2. Stainless steel body
3. **Ø 63.5mm (2,5") grinding discs : high resistance, long lasting**
Designed and manufactured by Santos for a high quality grinding
4. **Precision grinding, from very fine to coarse**
Adjustment button located behind the front stainless steel plate
5. **Adjustable rails** for all types of brew baskets or drawers
6. **Timer** located in the back of the grinder
Adjustable portion from 10 to 750 g (0.3 to 27 oz)
7. Drawer – 800 g
8. **Powerful asynchronous motor**
5-year warranty



63 dBA



Output of the coffee grinder #42



GRINDER WITH TIMER #42



COFFEE GRINDERS : SANTOS KNOW-HOW

www.santos.fr

Santos, 60 years experience

- Since 1954, we manufacture our own grinding discs for better results
- Santos is the leader in “Silent” coffee grinders for 15 years
- Constant and fine grinding, constant portion dispensed
- No “burn coffee” effect while grinding, no electrostatic coffee phenomenon
- Easy to adjust (grinding and dosing) and to maintain (changing the grinding discs is very easy)



TECHNICAL SPECIFICATIONS



Motor

Single phase: 100-120V – 50/60 Hz – 650W – CE
220-240V – 50/60 Hz – 600W – CE

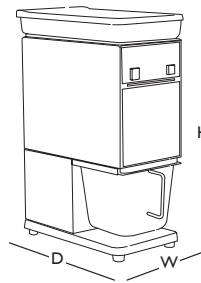
Speed: 1 500 rpm/min (50Hz)
1 800 rpm/min (60Hz)



Weight

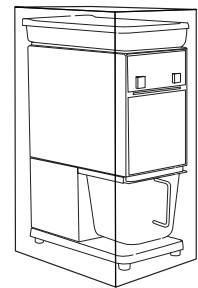
Net: 19 kg (42 lbs)

Shipping: 20.6 kg (45 lbs)



APPLIANCE

W: 190mm (7.5")
D: 355mm (14")
H: 555mm (22")



SHIPPING BOX

W: 270mm (11")
D: 520mm (20.5")
H: 650mm (25.5")

SAFETY, STANDARDS, HYGIENE

In accordance with the following regulations

Machinery directive 2006/42/EC
Electromagnetic compatibility 2004/108/EC
“Low voltage” Directive 2006/95/EC
Regulation 1935/2004/EC (contact with food)
RoHS directive 2002/95/EC

Harmonized European Standards

EN ISO 12100 - 1 and 2: 2004
EN 60204-1: 2006
CE European standards

Thermal Safety

Motor protected by internal thermal detector

Acoustic Safety

Very silent and powerful asynchronous motor

Hygiene

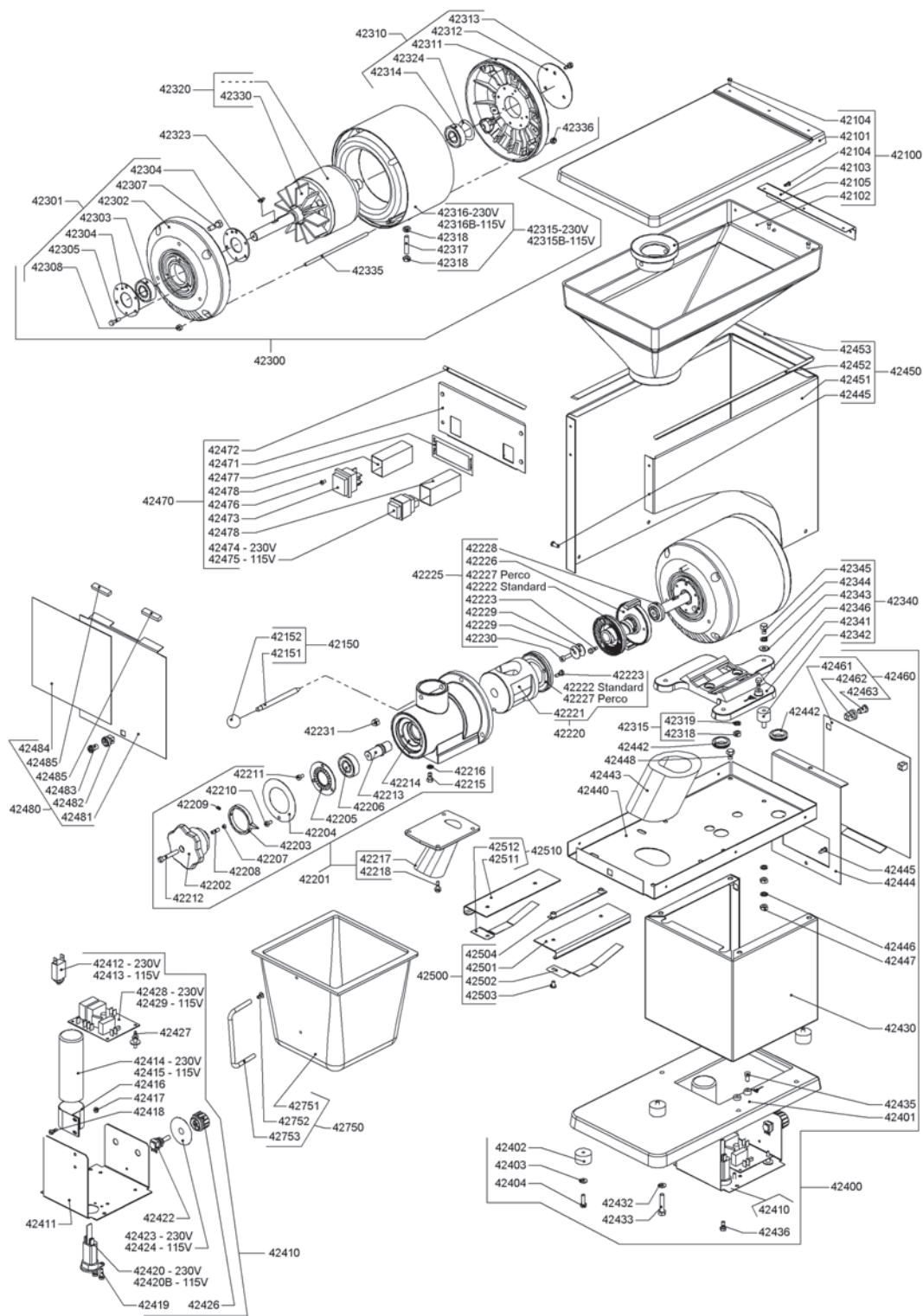
All removable parts can be put in a dishwasher or easily cleaned with hot soapy water.

PRODUCT: 2-YEAR WARRANTY – MOTOR: 5-YEAR WARRANTY

SILENT PORTION COFFEE GRINDER WITH TIMER #42



www.santos.fr



SANTOS

140-150 avenue Roger Salengro – 69120 – Vaulx-en-Velin (Lyon) – FRANCE – Tel. +33 472 37 35 29 – Fax +33 478 26 58 21

Website: www.santos.fr – **Email:** santos@santos.fr