



www.santos.fr



**ESPRESSO COFFEE
GRINDER #40A**



Internationally patented models





SILENT ESPRESSO

THE MOST SILENT COFFEE GRINDER ON THE MARKET

The espresso coffee grinder #40 is the ideal appliance for bars, hotels, restaurants who would like to serve a high quality espresso. This compact and silent grinder guarantees a fresh ground coffee with all its flavours, it stands beside the traditional 1,2, or 3 groups espresso machines. The high precision portion dispenser offers multiple advantages:

- The coffee dose dispensed can be easily adjusted from 6.5 to 9 grams, turning the button.
- The amount of coffee in the portion dispenser is constant, refilled automatically after dispensing (automatism starts and stops the motor).



Starts and stops automatically
to keep the portion dispenser full

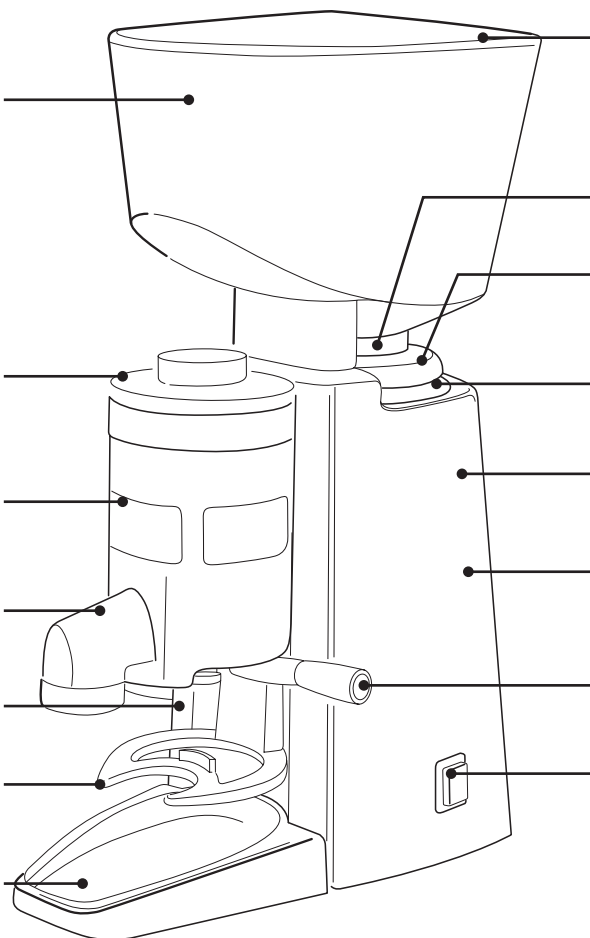
High precision
**portion dispenser can be easily
adjusted from 6.5 to 9gr**

Universal tamper diameter 55mm
(Ø 53mm and Ø 57mm
available on demand)

5 digits counter

Universal filter holder fork,
for all types of filter holders

Removable tray



Removable,
unbreakable lid

Hopper shutter

**Adjusting screw for precise
grinding** (from very fine
to coarse) and thermal protection

Santos grinding discs,
high resistance, long life

Powerful, reliable
commercial motor

Painted aluminum body
(different colors available)

Pull handle

Lit waterproof on/off
switch

 **Average output
8kg/h**

Available in 3 colours: 40AN Black, 40AG Grey, 40A Brown

COFFEE GRINDERS: SANTOS KNOW-HOW SINCE 1954



Santos experience on the European espresso market is the warranty of the best results in terms of quality of grinding. **Since 1954**, we manufacture our own grinding disks to meet our customers' expectations and to provide excellence.

Santos has a leader position in creating "Silent" coffee grinders, the characteristics of this range are:

- Constant and fine grinding
- Constant portion dispensed
- Large hopper (2.2kg)
- Easy to adjust (grinding and dosing)
- No "burn coffee" effect while grinding
- Easy to maintain (changing the grinding disks is very easy)
- A commercial reliable tool (aluminum casting and asynchronous motor)

COFFEE GRINDER #40A



OPTION: WITH MOBILE COFFEE TAMPER #40A PPM

www.santos.fr

The mobile coffee tamper gives a more regular tamping with an easier movement. Then you can get a constant creamy espresso.



- One action on the handle gives a precise dose for one espresso. The portion dispenser has been studied to achieve a dose to dose regularity : smooth surfaces, strong aluminium handle with precis mechanism...
- The amount of coffee in the portion dispenser is constant, refilled automatically after dispensing (automatism starts and stops the motor).
- The coffee dose dispensed can be easily adjusted from 6.5 to 9 grams, turning the button.

TECHNICAL SPECIFICATIONS



Motor

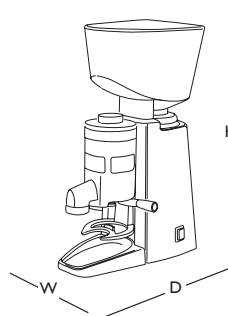
Single phase: 100 - 120V - 50 / 60 Hz - 310 W - CE, UL
220 - 240V - 50 / 60 Hz - 360 W - CE

Speed: 1500 rpm (50 Hz)
1800 rpm (60 Hz)



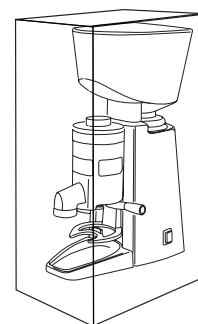
Weight

Net: 14kg (30lbs)
Shipping: 15,5kg (34lbs)



APPLIANCE

W: 190mm (8")
D: 390mm (16")
H: 580mm (23")



SHIPPING BOX

W: 250mm (10")
D: 450mm (18")
H: 660mm (26")

SAFETY, STANDARDS, HYGIENE

In accordance with the following regulations

Machinery directive 2006/42/EC
Electromagnetic compatibility 2004/108/EC
"Low voltage" directive 2006/95/EC
Regulation 1935/2004/EC (contact with food)
RoHS directive 2002/95/EC

Harmonized European standards

EN ISO 12100 - 1 and 2:2004
EN 60204 - 1:2006
EN 60335-2-64:2004 Commercial electric kitchen machines

CE (European standards), UL (USA) and cUL (Canada)

Thermal safety

Motor protected by internal thermal detector and overload protector

Electrical safety

- On/Off interlock switch is waterproof
- All mechanical parts are ground (earth) connected
- All equipment is perfectly controlled after assembly (special electrical testing bay)

Acoustic safety

The asynchronous motor particularly silent is fitted on silentbloc.

Hygiene

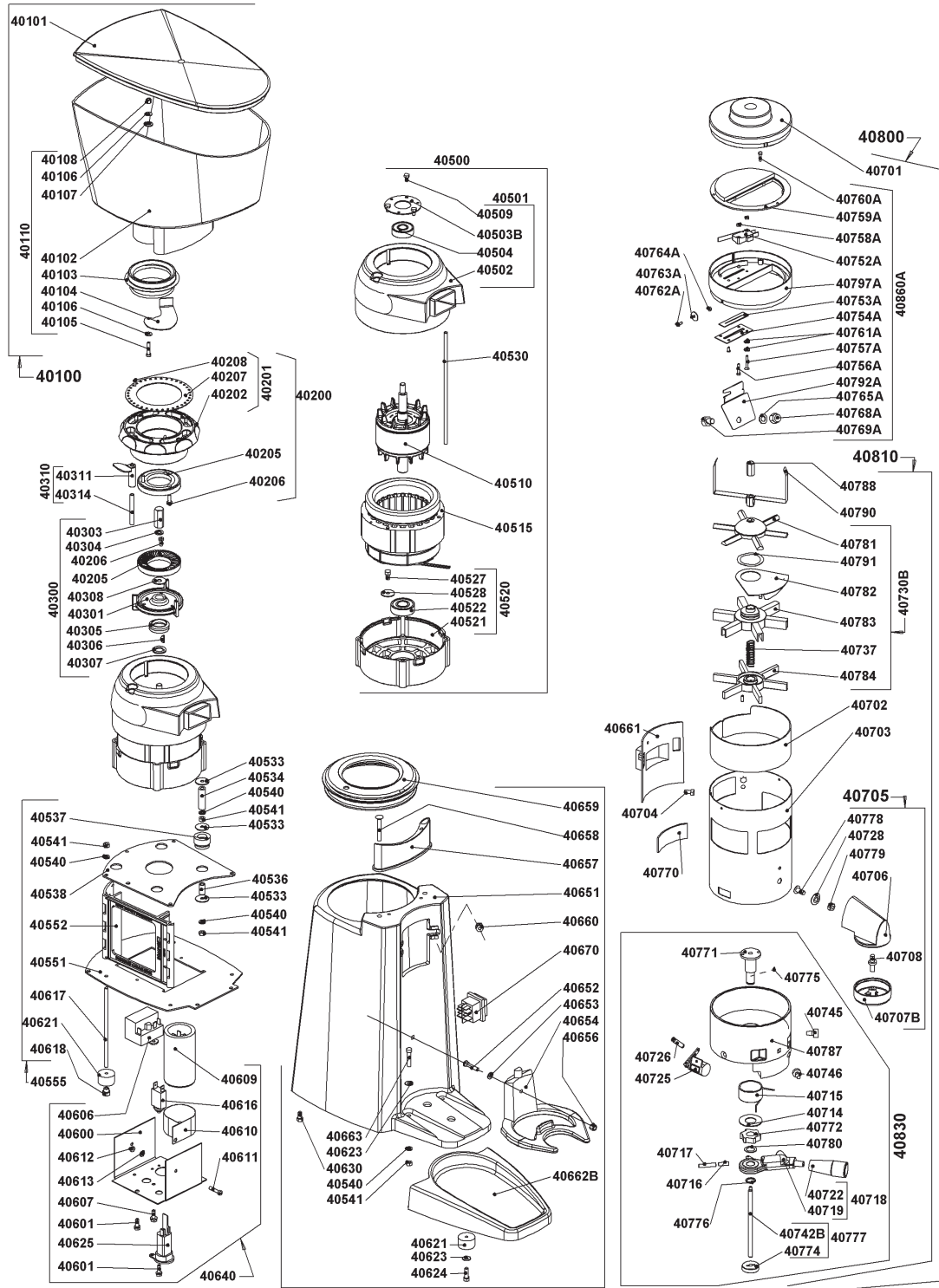
All removable parts can be put in a dishwasher or easily cleaned with hot soapy water.

PRODUCT: 2-YEAR WARRANTY | MOTOR: 5-YEAR WARRANTY



SILENT ESPRESSO COFFEE GRINDER #40A

www.santos.fr



SANTOS

140-150, avenue Roger Salengro BP 80 067 – 69511 Vaulx-en-Velin Cedex (Lyon) FRANCE - Tel. +33 4 72 37 35 29 - Fax. +33 4 78 26 58 21

Website : www.santos.fr – Email : santos@santos.fr