



www.santos.fr



CITRUS JUICER #38

For all citrus fruits: limes, lemons, oranges, grapefruits.



Internationally patented models





CITRUS

THE GENUINE CITRUS JUICER SINCE 1954



The real commercial juicer, built to last, with a heavy duty and quiet asynchronous motor, for use everywhere you need a fresh squeezed citrus juice: Juice Bars, Health Food Stores, Hotels, Bars, Restaurants, Cafeterias, Ice Cream shops, Institutions, Hospitals and even... at home.

High output: just cut your citrus half and press. You will extract easily from 20 to 40 litres per hour (5 to 10 gallons).

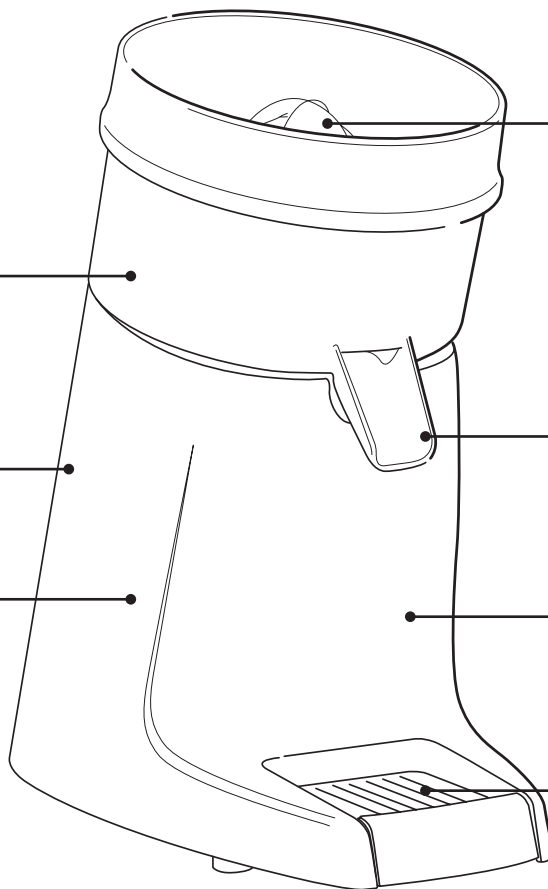
Removable bowl
yellow or black.
Unbreakable - food material

Chromed or painted
(green or grey) **motor base.**

Inclined body for better output.



Output: 30l/h



3 removable squeezers (cones) for:
• Limes
• Lemons and oranges
• Grapefruits



and a cover



Wide spout accepting all types of glasses.
Height of the spout: 135 mm (5").

Heavy duty and quiet **asynchronous motor.**
High speed.

Removable polycarbonate **drip tray.**

A COMPLETE RANGE OF CITRUS JUICERS #38



38C



38



38G

CHOOSE
YOUR COLOR!

JUICER #38



THE PROFESSIONAL ART OF JUICING SINCE 1954

www.santos.fr

We have the citrus juicer you need, to make juice by glass or by jug.

Equipped with powerful and reliable commercial asynchronous motors, they are the perfect appliances to quickly squeeze any kind of citrus, from small limes to big grapefruits. All these juicers are very easy to use and clean: all the parts which are in contact with the fruits are removable.



Santos juicers keep all the flavor and vitamins from fruits.

TECHNICAL SPECIFICATIONS



Motor

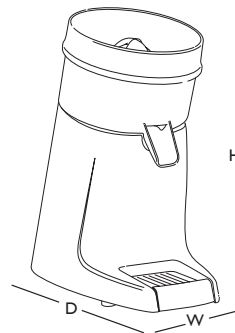
Single phase: 100 - 120V - 50/60 Hz – 155W – CE, NSF, UL
220 - 240V - 50/60 Hz – 130W – CE

Speed: 1 500rpm (50 Hz)
1 800rpm (60 Hz)

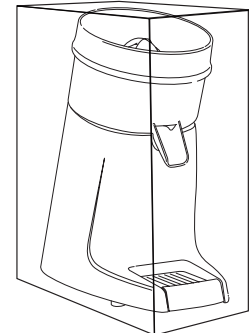


Weight

Net: 5,2Kg (11 lbs)
Packed: 6Kg (12,3lbs)



APPLIANCE
W: 170 mm / 6,7"
D: 303 mm / 12"
H: 350 mm / 13,8"



SHIPPING BOX
W: 255 mm / 10"
D: 340 mm / 13,4"
H: 400 mm / 15,7"

SAFETY, STANDARD, HYGIENE

In accordance with the following regulations

Machinery directive 2006/42/EC
Electromagnetic compatibility 2004/108/EC
"Low voltage" directive 2006/95/EC
RoHS directive 2002/95/EC
Regulation 1935/2004/EC (contact with food)

Harmonized European Standards

EN 12100 - 1 & 2: 2004
EN 60204-1: 2006
EN 60335-2-64 :2004 Commercial electric kitchen machines

CE (European standards), NSF (USA), UL (USA) and cUL (Canada)

Electrical Safety

- On/Off interlock switch is waterproof
- All mechanical parts are ground (earth) connected
- All equipment is 100% tested at the end of assembly (special electrical testing bay)

Thermal Safety

Motor protected by internal thermal detector

Acoustic Safety

The asynchronous motor with direct drive is particularly silent

Hygiene

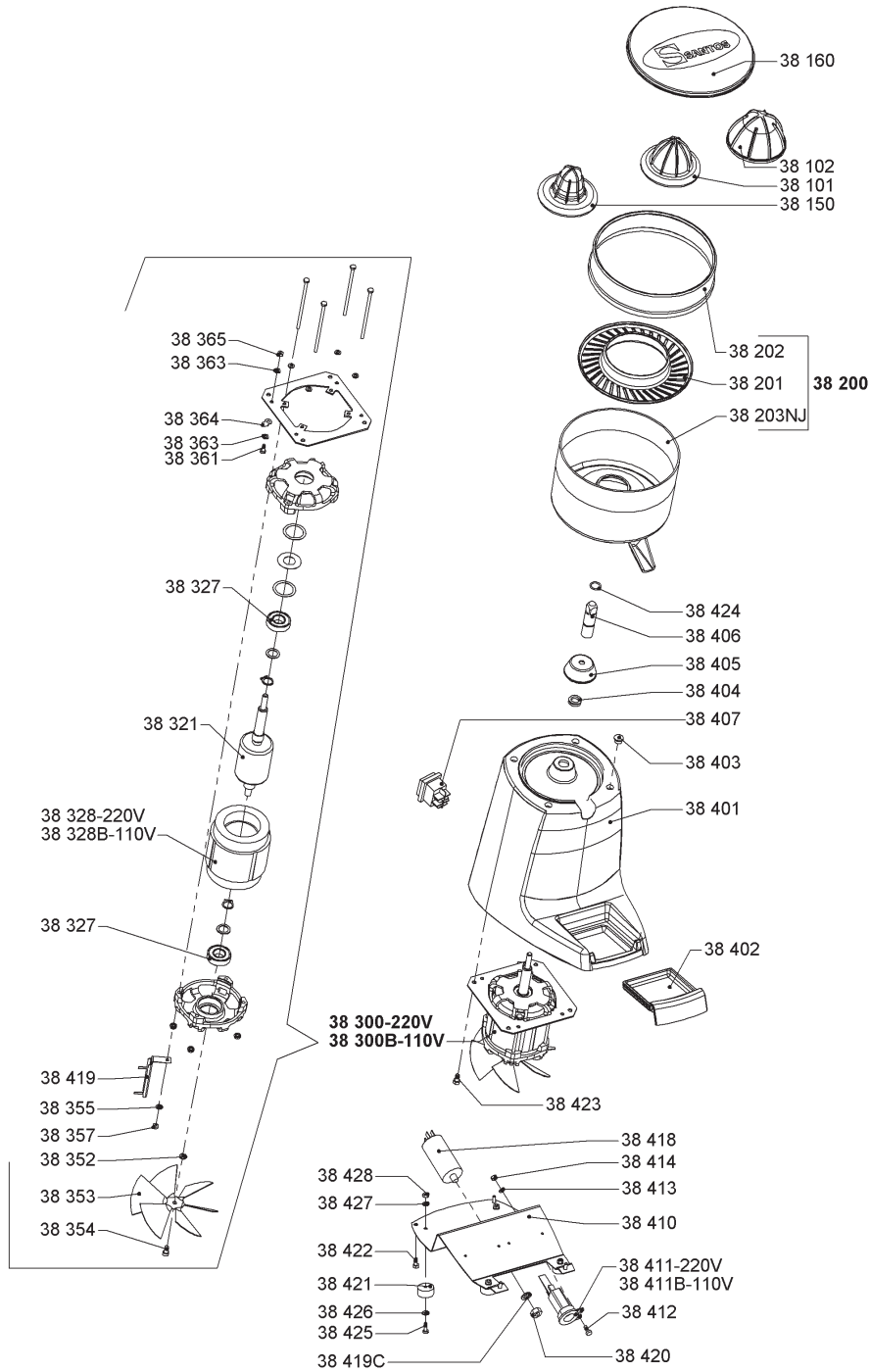
All removable parts can be put in a dishwasher or easily cleaned with hot soapy water (NSF approved)

PRODUCT: 2-YEAR WARRANTY | MOTOR: 5-YEAR WARRANTY



CITRUS JUICER #38

www.santos.fr



140-150 AV ROGER SALENGRO – 69120 – VAULX ENVELIN – LYON – FRANCE – TEL. +33 472 37 35 29 – FAX. +33 478 26 58 21
Website: www.santos.fr – **E-mail:** santos@santos.fr