



www.santos.fr



Cold Drink Dispenser #34

Dispenses all kind of beverage
such as fruit punch, sangria,
lemonades, iced tea or fruit
juice...



Internationally patented models





Cold drink

Powerful / Efficient / Durable

The ideal appliance for dispensing all kind of cold beverage such as fruit juices (with pulp or not), sangria, lemonades, water, iced tea, iced coffee or milk, premixed drinks from concentrate or powder...

Dedicated to bars, hotels, restaurants, institutions, fast-foods, pizzerias, snack shops or sandwich bars...

Easy to use: just press the glass or the jug against the tap to get the drink.

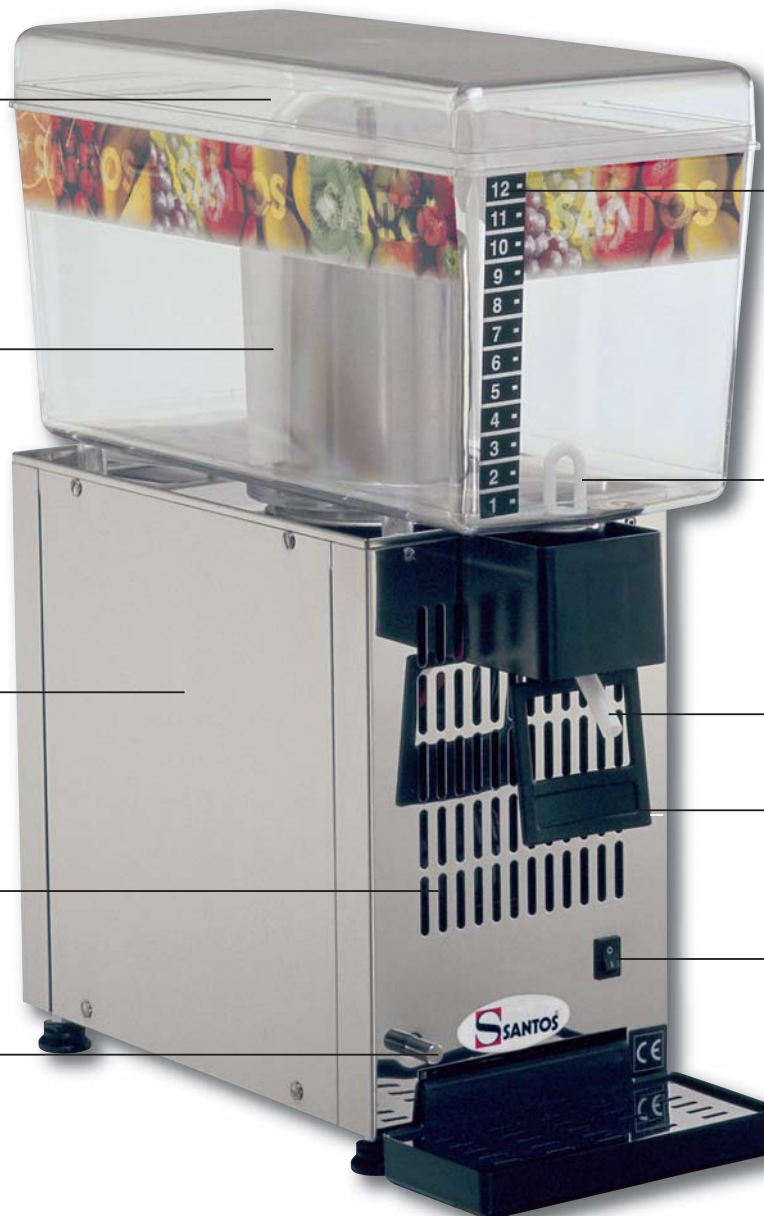
Removable bowl and cover made of alimentary and unbreakable polycarbonate (12 litre capacity)

Stirring paddle avoids foaming and oxidation of beverage.
System is driven by a reliable and long lasting gear motor.

Removable stainless steel side panel (easy access to main components)

Air-cooling system with ventilation from the front to the rear.
No problem to put other machine beside the Santos one.

Special system for condensation collect



Level mark

Removable tap screw.

Removable vertical spray tube (can accept pulp)

Removable push handle. Just press to get the drink.

1 mixing device switch. 1 switch per bowl. Each bowl mixing operates independently of each other.

Dispenser #34

A large range of dispensers available



www.santos.fr



34 - 1 (single bowl)
12 liter capacity



34 - 2 (twin bowl)
2 x 12 liter capacity

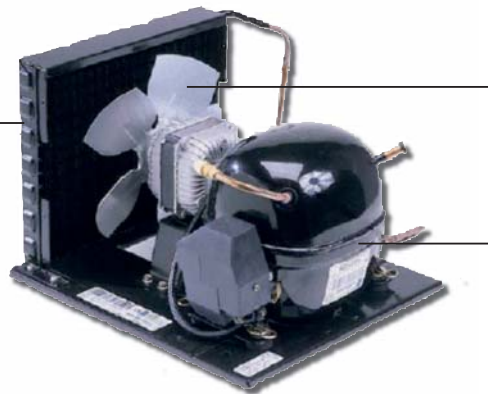


34 - 3 (triple bowl)
3 x 12 liter capacity

Reliable and performing refrigeration system

Wide air-cooling condenser to continuously chill the drinks

Adjustable thermostat (one for each bowl) according to local climate conditions and required drinks temperature



Specific fan for better efficiency

High pressure hermetically sealed compressor. High quality and long lasting compressor designed for tropical countries. Very silent. R134a fluid

Technical specifications

3 models available in different voltages: 220-240V - 50 Hz - CE; 220-240V - 60 Hz - CE; 110-120V - 50/60 Hz - CE

	1 Bowl	2 Bowls	3 Bowls
Capacity	1 x 12 litre	2 x 12 litre	3 x 12 litre
Motor power	160 W - 1/5 HP	260 W - 1/3 HP	330 W - 3/7 HP
Net weight	16 kg - 35 lbs	23.5 kg - 52 lbs	30.5 kg - 71 lbs
Shipping weight	17 kg - 38 lbs	25.5 kg - 56 lbs	34.5 kg - 76 lbs
Dimensions :	Height:	545 mm - 21"	545 mm - 21"
	Width:	190 mm - 7.5"	380 mm - 15"
	Depth:	430 mm - 17"	430 mm - 17"
R134A Fluid Charge	60 g	139 g	200 g

Safety - Standards - Hygiene

In accordance with the following regulations:

- ◆ Machinery directive 2006/42/EC
- ◆ Electromagnetic compatibility 2004/108/EC
- ◆ "Low voltage " directive 2006/95/EC
- ◆ Regulation 1935/2004/EC (contact with food)
- ◆ RoHS directive 2002/95/EC

Thermal safety

Overload protection integrated in compressor.

- ◆ Harmonized European standards
EN ISO 12100-1 and 2: 2004 - EN 60204-1: 2006
EN 60335-2-64: 2004 Commercial electric kitchen machines
- ◆ CE (Europe)

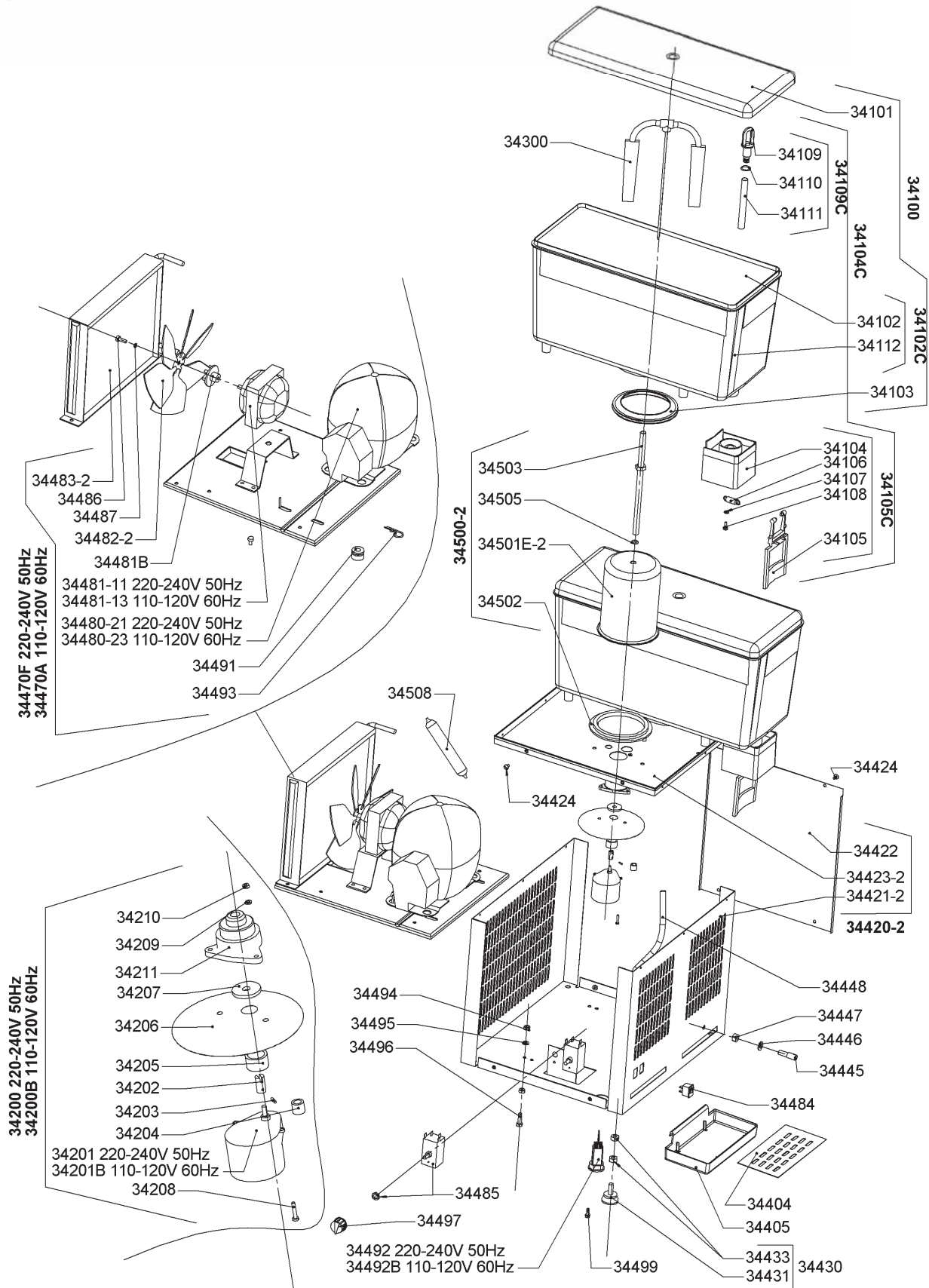
Hygiene

All the parts in contact with beverage are made of alimentary materials and are removable without any tool.

PRODUCT: 2-YEAR WARRANTY - MOTOR: 5-YEAR WARRANTY

Cold drink dispenser #34

(34-2 exploded view)*



* For 34-1 or 34-3 exploded views, please visit our website