



www.santos.fr



DOUGH MIXER
10 LITERS #18
(10 quart kneader - 4kg of dough)



Internationally patented models





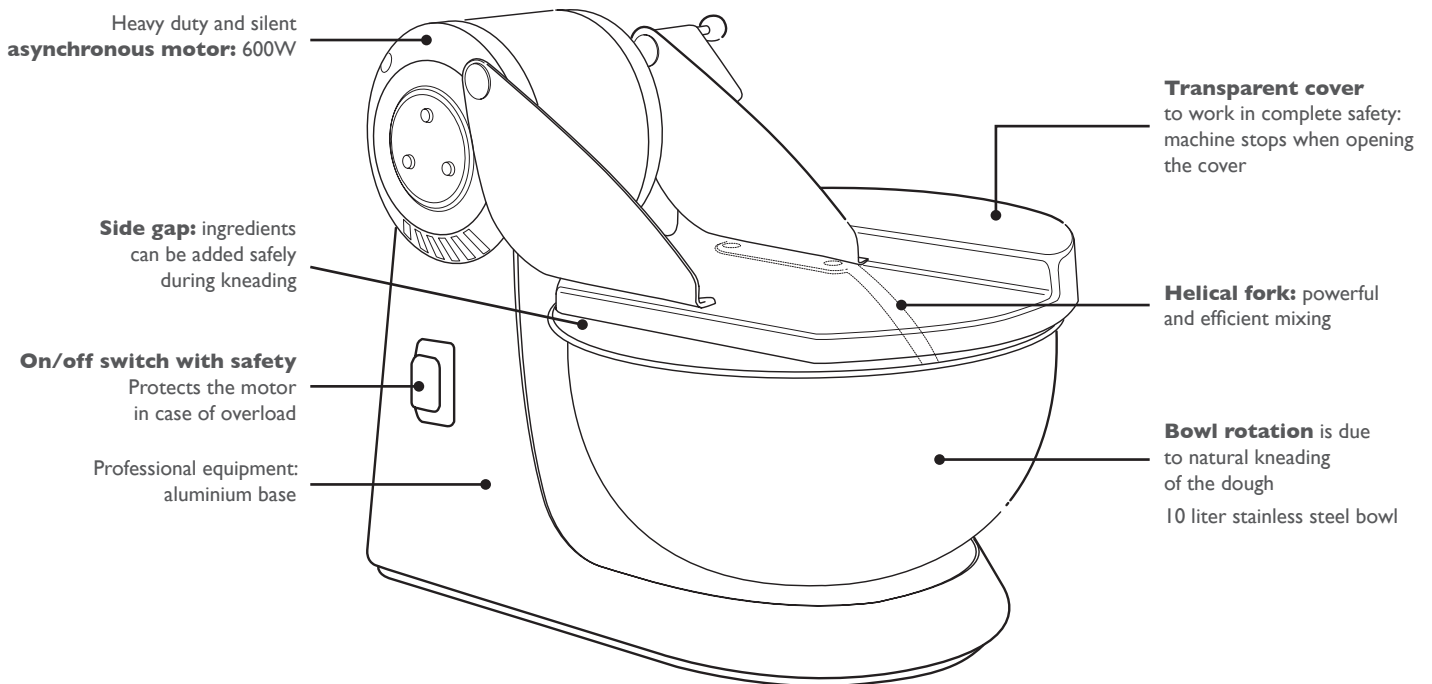
DOUGH MIXER #18

POWERFUL / EFFICIENT / DURABLE

Ideal to knead 4 kg (9lbs) of hard dough within approximately 15 minutes.

Operates like a baker's dough mixer.

Ideal for all kinds of breads and pizzas.



EASY TO USE



10 LITER STAINLESS STEEL BOWL



EASY TO DISASSEMBLE FOR CLEANING

www.santos.fr



Your partner in food preparation since 1954

A complete range of products for all needs:
catering, fast-food, institutions, snack shops,
creative cooking, pastries... *Unleash your creativity!*



This appliance has no accessories

TECHNICAL SPECIFICATIONS



Motor

Single phase: 100 - 120 V - 50/60 Hz - 650 W - CE
220 - 240 V - 50/60 Hz - 600 W - CE

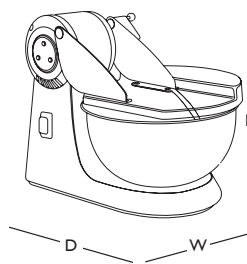
Speed: 1500 rpm (50 Hz)
1800 rpm (60 Hz)

Fork speed: 70 rpm (50 Hz)
84 rpm (60 Hz)



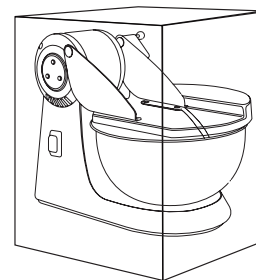
Weight

Net: 18 kg (40 lbs)
Shipping: 20 kg (44 lbs)



APPLIANCE

W: 350 mm (15")
D: 500 mm (20")
H: 420 mm (17")



SHIPPING BOX

W: 390 mm (15,4")
D: 590 mm (23,2")
H: 460 mm (18")

SAFETY, STANDARD, HYGIENE

In accordance with the following regulations:

- Machinery directive 2006/42/EC
- Electromagnetic compatibility 2004/108/EC
- "Low voltage" directive 2006/95/EC
- Regulation 1935/2004/EC (contact with food)
- RoHS directive 2002/95/EC

Harmonized European Standards

EN 12100 - 1 & 2: 2004
EN 60204-1: 2006
EN 60335-2-64: 2004 Commercial electrical kitchen machines
CE (European standards)

Thermal safety

Motor protected by internal thermal detector.

Acoustic safety

Very silent and powerful asynchronous motor.

Hygiene

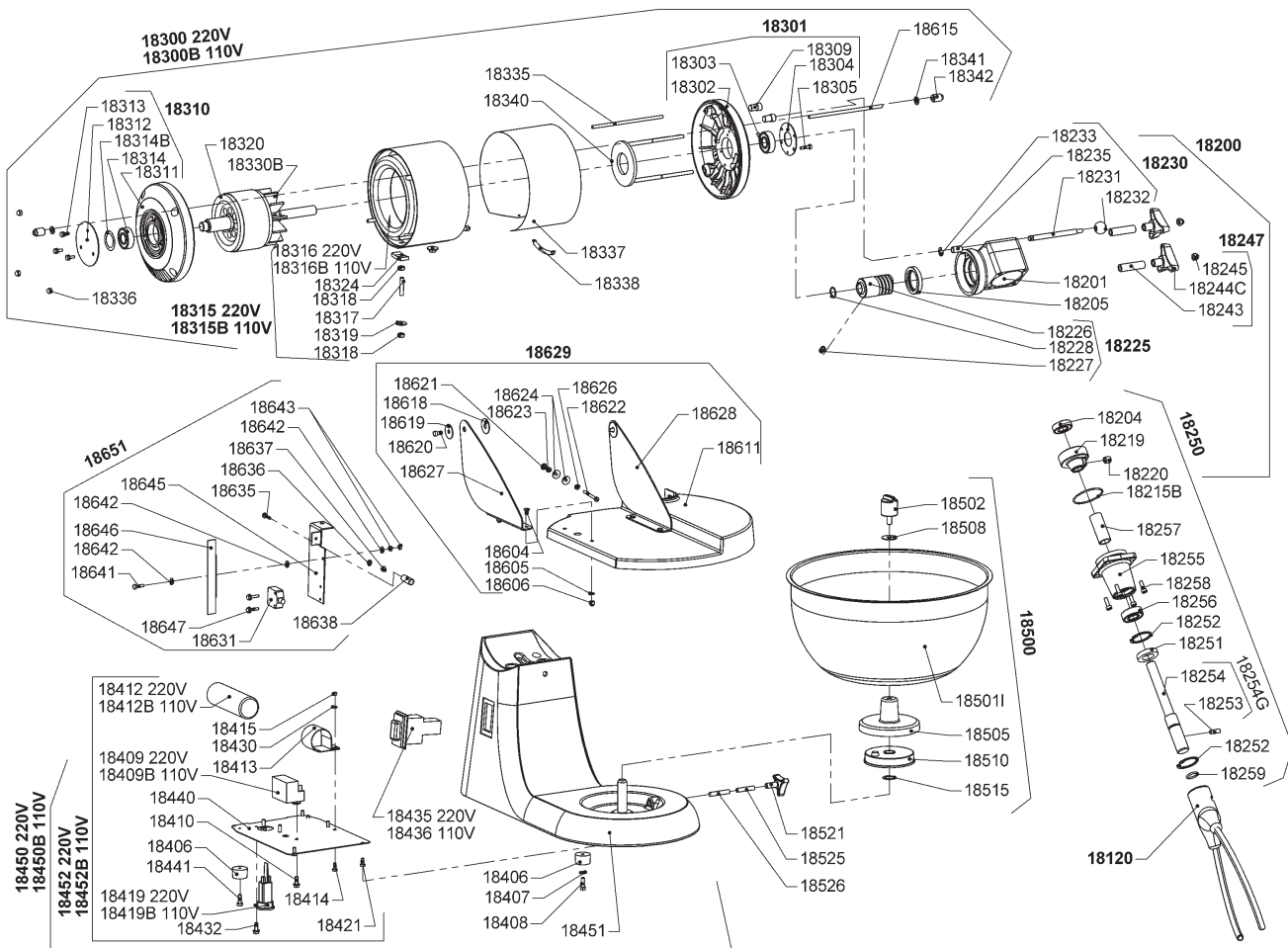
All removable parts can be put in a dishwasher or easily cleaned with hot soapy water.

PRODUCT: 2-YEAR WARRANTY | MOTOR: 5-YEAR WARRANTY



10 LITERS DOUGH MIXER #18

www.santos.fr



SANTOS

140-150 Avenue Roger Salengro – 69120 VAULX-EN-VELIN (Lyon) – FRANCE – TEL. +33 472 37 35 29 – FAX. +33 478 26 58 21

Website: www.santos.fr – E-mail: santos@santos.fr