



www.santos.fr

ICE CRUSHER # 09
For crushed and snow ice



Internationally patented models

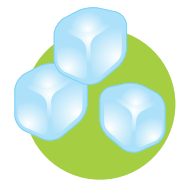
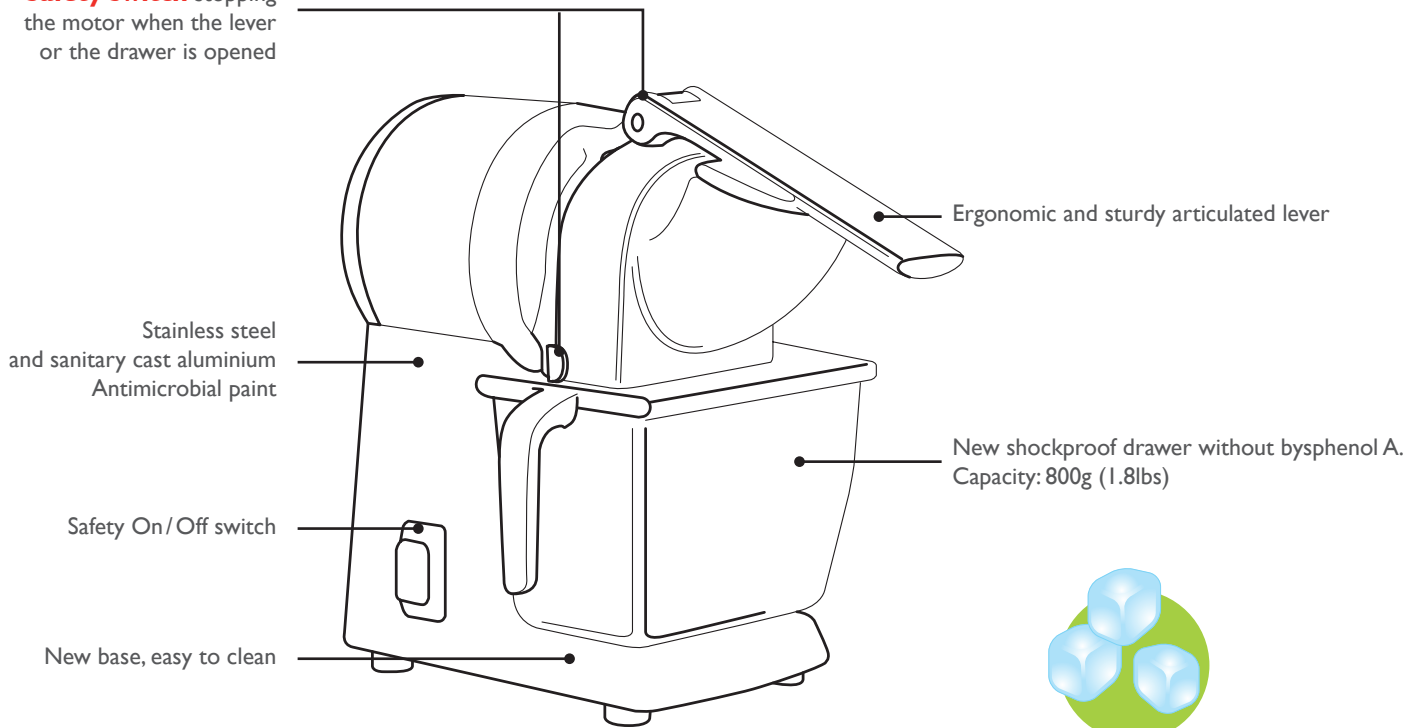




ICE CRUSHER

New ice crusher, powerful and sturdy, delivered with an adjustable disc to make snow ice or crushed ice. Ideal for bars, restaurants, fish shops, caterers... Its new design facilitates cleaning and maintenance.

Safety switch stopping the motor when the lever or the drawer is opened



100 Kg/ Hour
(220lbs/ hour)

EASY TO CLEAN



ICE CRUSHER # 09



ONE DISC = TWO POSSIBILITIES

www.santos.fr

The ice crusher # 09 is delivered with one adjustable disc which can make snow ice and crushed ice.



Disc adjusted in "snow ice" position



Disc adjusted in "crushed ice" position



Option: All the discs for the Grater # 02 are adaptable to the ice Crusher # 09

TECHNICAL SPECIFICATIONS



Motor

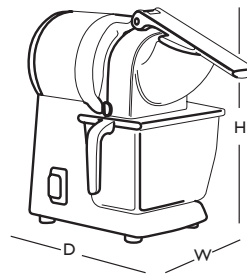
Single phase: 220-240V - 50/60 Hz – 600W – CE
100-120V – 50/60 Hz – 650W – CE, UL

Speed: | 500 rpm (50Hz)
| 800 rpm (60 Hz)

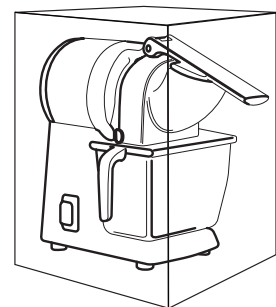


Weight

Net: 14,5 Kg (32 lbs)
Shipping: 15,5 Kg (34 lbs)



APPLIANCE
W : 250 mm / 10"
D : 420 mm / 16,5"
H : 360mm / 14"



SHIPPING BOX
W : 295 mm / 12"
D : 455 mm / 21"
H : 410 mm / 16"

SAFETY, STANDARDS, HYGIENE

In accordance with the following regulations

Machinery directive 2006 / 42 / EC
Electromagnetic compatibility 2004 / 108 / EC
"Low voltage" directive 2006 / 95 / EC
Regulation 1935 / 2004 / EC (contact with food)
RoHS directive 2002 / 95 / EC

Harmonized European Standards

EN ISO 12100-1 and 2 : 2004
EN 60204-1 : 2006
EN 60335-2-64 : 2004 Commercial electric kitchen machines
CE (European standards), UL (USA) and cUL (Canada)

Thermal Safety

Motor protected by internal thermal detector.

Acoustic Safety

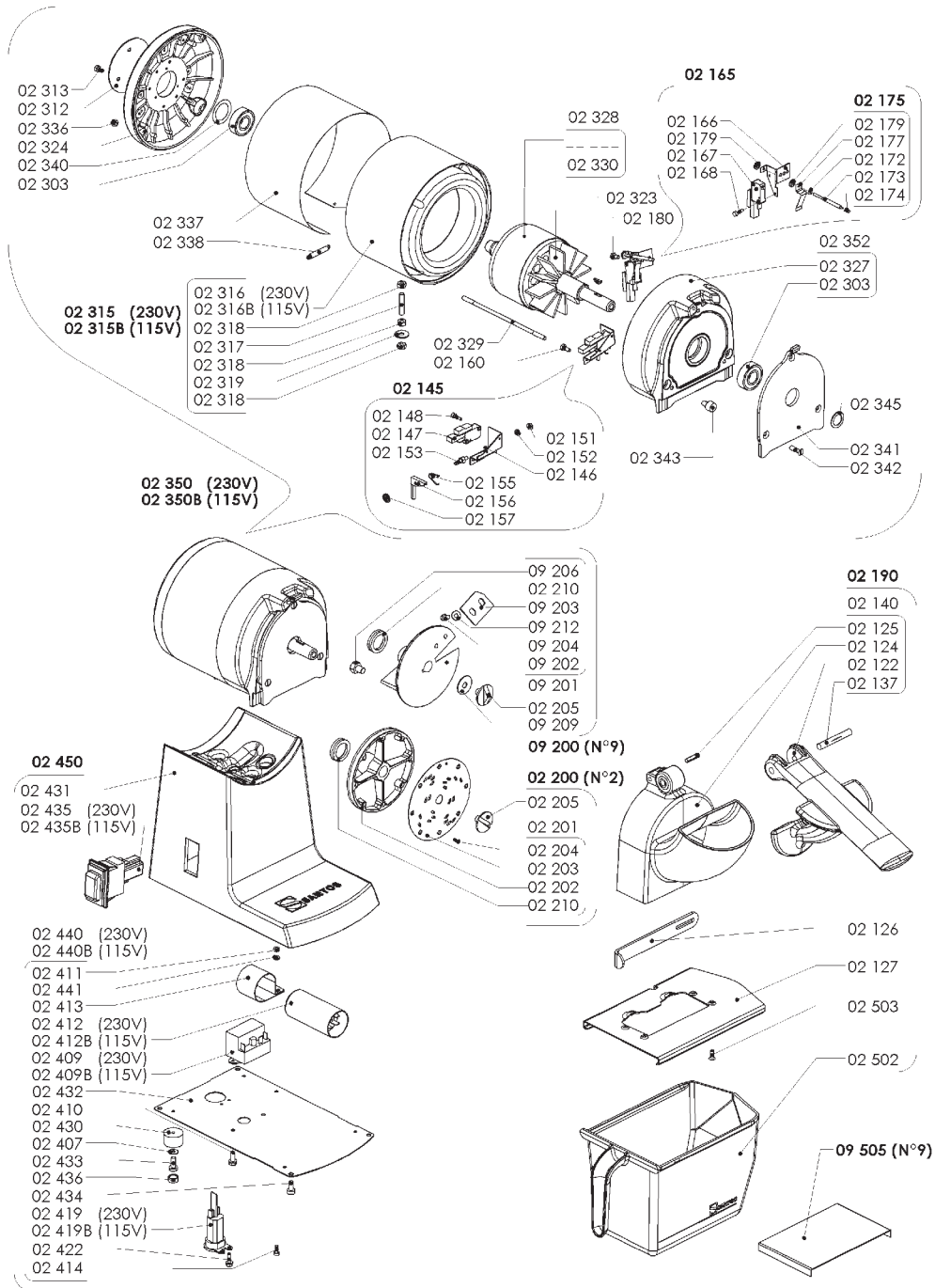
Very silent and powerful asynchronous motor.

Hygiene

All removable parts can be put in a dishwasher or easily cleaned with hot soapy water.

PRODUCT: 2-YEAR WARRANTY | MOTOR: 5-YEAR WARRANTY

ICE CRUSHER #09



SANTOS

140-150 Avenue Roger Salengro BP 80 067 – 69511 Vaulx-en-velin Cedex (Lyon) – FRANCE

Tel. +33 4 72 37 35 29 – Fax. +33 4 78 26 58 21 – Website: www.santos.fr – Email: santos@santos.fr

Follow us on #SantosAddict social networks   