

Non-Refrigerated Service Slide In Counter Case

- NE3635DSV
- NE4835DSV

Lengths include end panels
 35-3/4"L x 33"D x 35-3/8"H
 47-3/4"L x 33"D x 35-3/8"H



STANDARD FEATURES

- NOTE: Glass warranty only applicable to first point of delivery
- (3) Levels of clear glass shelving removable and adjustable on 1" centers
- LED top & shelf lights
- NOTE: Overall case height is 54-5/8" (includes below counter)
- One piece formed ABS plastic tub
- One year parts & labor warranty
- Slide in base
- Vertical, fixed front & side UV bonded frameless glass

Features	Standard	Options
FRAME EXTERIOR COLOR	<input type="checkbox"/> Black	<input type="checkbox"/> Painted (non-stock colors, specify RAL#) <input type="checkbox"/> Painted (stock colors, specify RAL#) <input type="checkbox"/> Stainless steel
INTERIOR COLOR	<input type="checkbox"/> Black	<input type="checkbox"/> NOTE: Interior color must be FDA & NSF approved <input type="checkbox"/> Painted (stock colors, specify RAL#) <input type="checkbox"/> Stainless steel
LEFT END GLASS	<input type="checkbox"/> Glass end	<input type="checkbox"/> No end glass
RIGHT END GLASS	<input type="checkbox"/> Glass end	<input type="checkbox"/> No end glass
UPPER REAR	<input type="checkbox"/> Clear glass rear sliding doors	<input type="checkbox"/> Reflective glass rear sliding doors
LIGHTS	<input type="checkbox"/> LED 3500K w/ frosted lens	<input type="checkbox"/> LED 3000K w/ frosted lens <input type="checkbox"/> LED 4000K w/ frosted lens
ELECTRICAL CONNECT	<input type="checkbox"/> 6' Straight blade power cord	<input type="checkbox"/> 6' Locking blade power cord <input type="checkbox"/> Electrical leads (non-refrigerated)
REAR NON-VENTED PANEL	<input type="checkbox"/> None	<input type="checkbox"/> Note: Same as Rear Vented Panel without vents <input type="checkbox"/> Painted (non-stock colors, specify RAL#) <input type="checkbox"/> Painted (stock colors, specify RAL#) <input type="checkbox"/> Stainless steel
MISCELLANEOUS		<input type="checkbox"/> Rear door lock <input type="checkbox"/> Second year parts & labor warranty

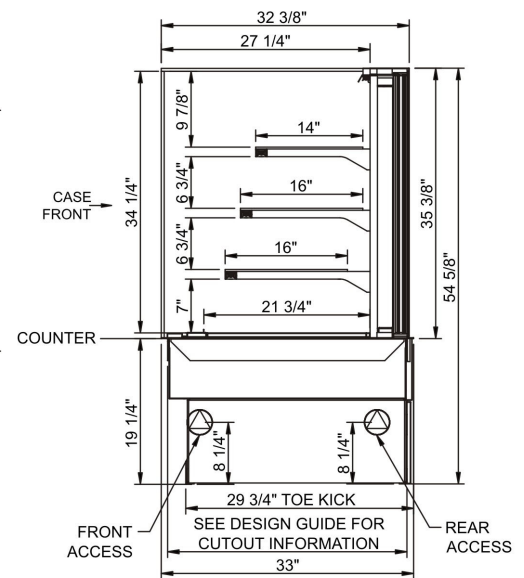
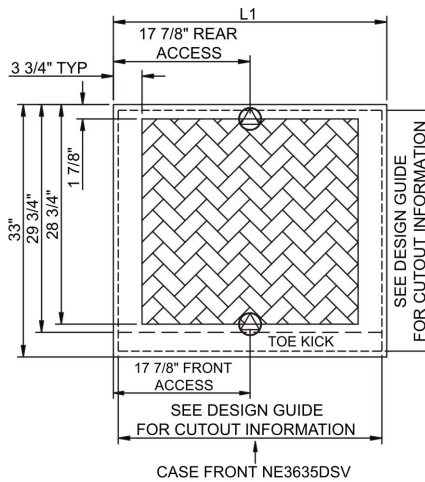
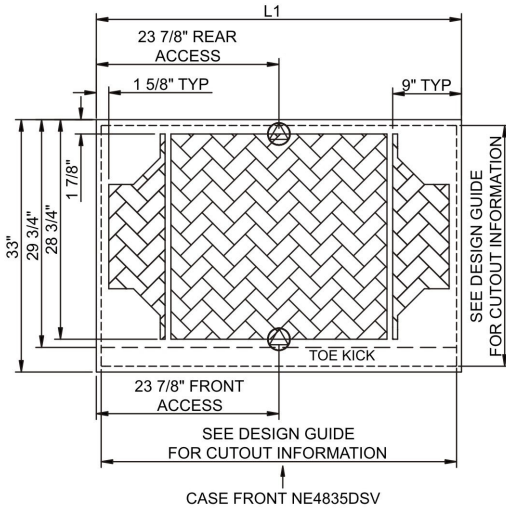
Reveal®

Product Specifications

Intended Environment: Type I - Designed to operate in ambient conditions of 75°F with 55% relative humidity unless noted otherwise in system information below.		Warmest Avg Prod Temp ° F
Zone	Intended Product To Be Displayed	Ambient
1	Unpackaged non-refrigerated products	

PLAN VIEW

SIDE VIEW



NOTE: ALL DIMENSIONS APPROXIMATE

- ELECTRICAL JUNCTION BOX (SUPPLIED WITH 6" LEADS OR POWER CORD).
- LOCATION OF DRAIN TUBE FOR REMOTE REF. ONLY (SUPPLIED WITH 3/4" OR 1 1/2" PVC TUBE).

- REFRIGERATION LINE CONNECTION.
- REMOTE FLOOR SINK & UTILITIES ACCESS AREA.

- SELF-CONTAINED CASE SERVICE ACCESS AREA.
- DRY CASE SERVICE ACCESS AREA.

Model Technical Specifications

Model	L"	L1"	L2"	System Circuit Volts	Phs	Freq	Amps ***	Watts	Wires	NEMA Plug	SST	Conv. Rack BTUH	Para. Rack BTUH	Est Wt	
NE3635DSV	N/A	35.75	.00	Ambient/Lights	Circuit #1	110-120	1	60	0.70	15	2+G	5-15P or L5-15P	N/A	N/A	850
NE4835DSV	N/A	47.75	.00	Ambient/Lights	Circuit #1	110-120	1	60	0.70	22	2+G	5-15P or L5-15P	N/A	N/A	950

*** Does not include electric defrost on freezer models.

Important Notes:

- 1) ELECTRICAL NOTE: If GFCI is required, a GFCI breaker MUST be used in lieu of a GFCI receptacle.
- 2) 19.25" minimum space required beneath counter surface.
- 3) Glass warranty only applicable to first point of delivery.

⚠ WARNING: This product can expose you to chemicals, including Urethane (Ethyl Carbamate), which are known to the State of California to cause cancer and birth defects or other reproductive harm. For more information go to www.P65Warnings.ca.gov.

