

Fusion

Product Specifications

ITEM NO: _____
 PROJECT: _____
 DATE: _____

Non-Refrigerated Service Case

GMDSV4D

Lengths include 1-1/8" end panels
 51"L x 43"D x 51-5/8"H



MODEL SHOWN: GMDSV4D

STANDARD FEATURES

- Flat upper front panel
- LED 4000K top & shelf lights
- One year parts & labor warranty
- Solid shelf, lighted
- Vertical, UV bonded lift-up front glass w/o lock

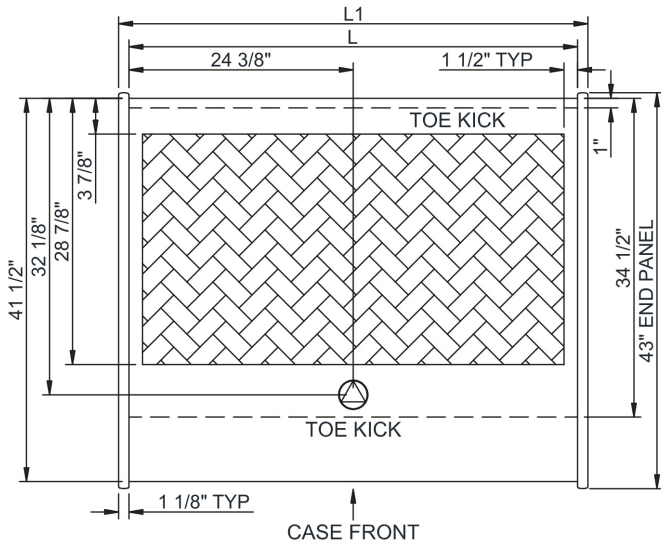
| Features | Standard | Options |
|-------------------------|--|---|
| EXTERIOR COLOR | <input type="checkbox"/> Laminated (non-premium) Confirm pattern/grain direction | <input type="checkbox"/> Laminated (premium) Confirm pattern/grain direction <input type="checkbox"/> Painted (stock colors, specify RAL#) <input type="checkbox"/> Stainless steel |
| INTERIOR COLOR | <input type="checkbox"/> Black | <input type="checkbox"/> Stainless steel |
| LOWER FRONT PANEL COLOR | <input type="checkbox"/> Painted - Black | <input type="checkbox"/> Stainless steel |
| REAR EXTERIOR | <input type="checkbox"/> Stainless steel | <input type="checkbox"/> Painted - Black <input type="checkbox"/> Painted - White |
| TRIM COLOR | <input type="checkbox"/> Black | <input type="checkbox"/> Silver |
| BASE | <input type="checkbox"/> Casters w/ levelers | <input type="checkbox"/> 6"H legs <input type="checkbox"/> Rail system for shims |
| END PANEL LEFT | <input type="checkbox"/> Full end panel w/stainless mirrored interior | <input type="checkbox"/> Cutaway w/ glass <input type="checkbox"/> No end panel (for same case to case connect) |
| END PANEL RIGHT | <input type="checkbox"/> Full end panel w/stainless mirrored interior | <input type="checkbox"/> Cutaway w/ glass <input type="checkbox"/> No end panel (for same case to case connect) |
| UPPER REAR | <input type="checkbox"/> Clear glass rear sliding doors w/o lock | <input type="checkbox"/> Reflective glass rear sliding doors w/o lock |
| ELECTRICAL CONNECT | <input type="checkbox"/> 6' Straight blade power cord | <input type="checkbox"/> 6' Locking blade power cord <input type="checkbox"/> Electrical leads (non-refrigerated) |
| MISCELLANEOUS | | <input type="checkbox"/> Front glass lock <input type="checkbox"/> Rear door lock <input type="checkbox"/> Scale stand w/receptacle (requires separate circuit) <input type="checkbox"/> Second year parts & labor warranty |
| ACCESSORIES | | <input type="checkbox"/> 2"H Full depth display risers (n/a w/shelf) <input type="checkbox"/> Angled display steps (n/a w/shelf) <input type="checkbox"/> Price tag molding (matches interior color) <input type="checkbox"/> Rear wrapping board, white Sanalite® |

Fusion

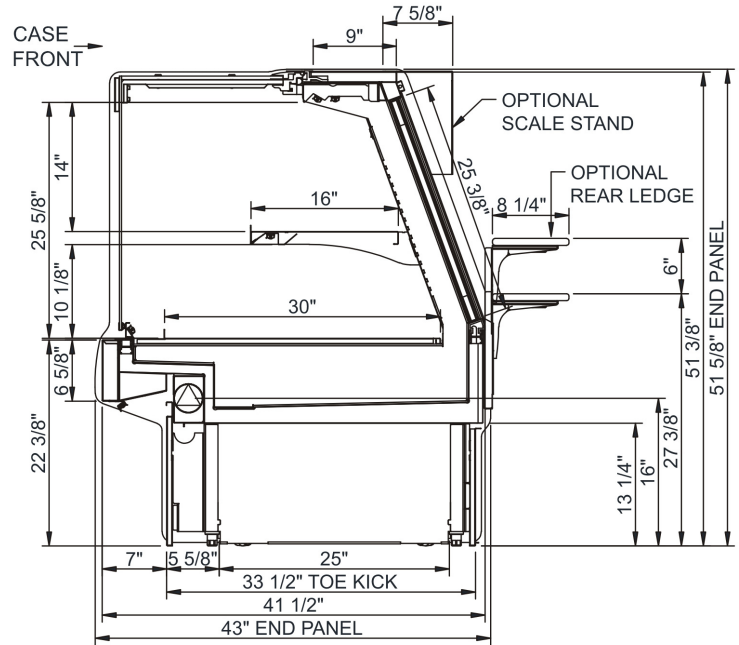
Product Specifications

| | | |
|--|---|----------------------------------|
| Intended Environment: Type I - Designed to operate in ambient conditions of 75°F with 55% relative humidity unless noted otherwise in system information below. | | |
| Zone | Intended Product To Be Displayed | Warmest Avg Prod Temp ° F |
| 1 | Unpackaged non-refrigerated products | Ambient |

PLAN VIEW



SIDE VIEW



NOTE: ALL DIMENSIONS APPROXIMATE

- ELECTRICAL JUNCTION BOX (SUPPLIED WITH 6" LEADS OR POWER CORD).
- LOCATION OF DRAIN TUBE FOR REMOTE REF. ONLY (SUPPLIED WITH 3/4" OR 1 1/2" PVC TUBE).

- REFRIGERATION LINE CONNECTION.
- REMOTE FLOOR SINK & UTILITIES ACCESS AREA.

- SELF-CONTAINED CASE SERVICE ACCESS AREA.
- DRY CASE SERVICE ACCESS AREA.

Model Technical Specifications

| Model | L" | L1" | L2" | System Circuit Volts | Phs | Freq | Amps *** | Watts | Wires | NEMA Plug | SST | Conv. Rack BTUH | Para. Rack BTUH | Est Wt | | |
|---------|-------|-------|-----|----------------------|------------|---------|----------|-------|-------|-----------|-----|-----------------|-----------------|--------|-----|-----|
| GMDSV4D | 48.75 | 51.00 | .00 | Ambient/Lights | Circuit #1 | 110-120 | 1 | 60 | 0.70 | 30 | 2+G | 5-15P or L5-15P | N/A | N/A | N/A | 850 |

*** Does not include electric defrost on freezer models.

Important Notes:

- 1) ELECTRICAL NOTE: If GFCI is required, a GFCI breaker MUST be used in lieu of a GFCI receptacle
- 2) 45" minimum door entry clearance required (without shipping skid).
- 3) Units are supplied with levelers. They must be adjusted during installation to ensure the unit is level and plumb. Dimensions reflect levelers extended 1 1/4".

WARNING: This product can expose you to chemicals, including Urethane (Ethyl Carbamate), which are known to the State of California to cause cancer and birth defects or other reproductive harm. For more information go to www.P65Warnings.ca.gov.

| Regulatory Approvals: | |
|-----------------------|--|
| All Models | ETL Listed to UL 65 ETL Sanitation to NSF 2 |

