



Your Solutions Partner

Specifications

F.O.B. Sedalia, Missouri 65301



TEHF-46PG
(shown with optional foodshield)

OPTIONS:

- 14 gauge tops
- Internal locking devices
- Individual drain valves
- No drains
- Recessed top to hold - 18" x 26" sheet pans, 1" deep
- Three phase wiring
- Electric heat in base module
- Foodshields
- Workshelves
- Trayslides
- Food pans - See Top Equipment in Price Book
- Sliding/Hinged doors
- 8' or 10' cord and plug
- Veneered plastic laminate panels on body
- Powder coat paint colors
- 6" adjustable legs in lieu of casters
- Kickplates s/s or p/g

Agency Listings:



DUKE MANUFACTURING CO.

2305 N. Broadway

St. Louis, MO 63102

800.735.3853 Toll Free

314.231.5074 Fax

www.dukemfg.com

SS-1167 Thurmduke - Hot Food - Elec

Approval Stamp(s):

PRODUCT INFORMATION:

PROJECT: _____

ITEM: _____

QUANTITY: _____

MODEL:

Thurmduke Serving Systems

Hot Food Units - Electric

- TEHF-32** 32" length unit, 2 top openings
- TEHF-46** 46" length unit, 3 top openings
- TEHF-60** 60" length unit, 4 top openings
- TEHF-74** 74" length unit, 5 top openings
- TEHF-88** 88" length unit, 6 top openings

TOP:

- 16 gauge, 300 Series stainless steel
- Die-stamped openings - 11-7/8" x 19-7/8"

HEAT COMPARTMENTS:

- Die-stamped openings, raised beaded edges
- Seamless, fully coved, stainless wells, 6-1/2" deep
- Controls mounted below top on operator's side
- Heating element beneath each well
- 120, 208 or 240 volt (must choose one)
- Robertshaw thermostat, with indicator light
- Wired to master toggle switch w/indicator light
- 6' cord and plug
- Sealed wells with drains copper manifolded to valve

BODY:

- Choice of (12) powder coat paint colors**
- Stainless steel body**
 - Operator's side open to bottom shelf
 - Customer side and ends fully enclosed
 - Bottom shelf paint grip or stainless steel to match body
 - Recessed stainless steel dish shelf

Specification subject to change

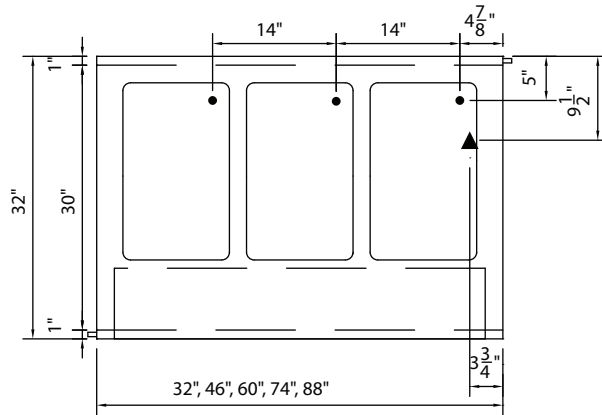




THURMADUKE SERVING SYSTEMS HOT FOOD UNITS - ELECTRIC

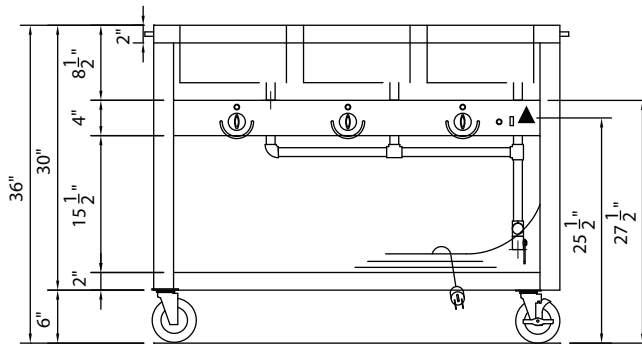
A.I.A. File No. 35-C-13

Catalog No. TSS-ELECHOT

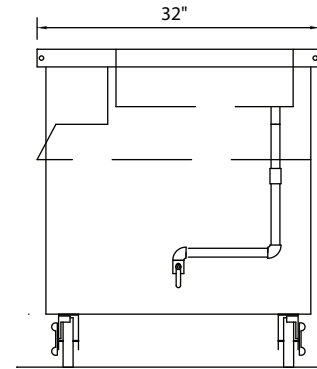


TOP VIEW

LEGEND	
▲	- ELECTRICAL CONNECTION
●	- DRAIN LOCATION - 3/4" brass, male thread, pop out screen, copper manifolds and brass master valve



FRONT VIEW



RIGHT SIDE VIEW

DIMENSIONS:

Freight Class: 150

Model	Length		Width		Height		Cube ft. crated	Weight		Top Openings
	in	cm	in	cm	in	cm		lbs	kg	
TEHF-32	32	81.3	32	81.3	36	91.4	34.8	253	115.0	2
TEHF-46	46	116.8	32	81.3	36	91.4	47.7	327	148.6	3
TEHF-60	60	152.4	32	81.3	36	91.4	60.5	400	181.8	4
TEHF-74	74	188.0	32	81.3	36	91.4	73.3	482	219.1	5
TEHF-88	88	223.5	32	81.3	36	91.4	86.2	595	270.5	6

ELECTRICAL SPECIFICATIONS:

Model	120 Volt - 750 watt elements			208 Volt - 900 watt elements			240 Volt - 1200 watt elements		
	watts	amps	NEMA	watts	amps	NEMA	watts	amps	NEMA
TEHF-32	1500	12.5	5-15	1800	8.7	6-20	2400	10.0	6-20
TEHF-46	2250	18.8	L5-30	2700	13.0	6-20	3600	15.0	6-20
TEHF-60	3000	25.0	5-50	3600	17.3	L6-30	4800	20.0	L6-30
TEHF-74	3750	31.3	5-50	4500	21.6	L6-30	6000	25.0	6-50
TEHF-88	4500	37.5	5-50	5400	26.0	6-50	7200	30.0	6-50

CONTACT FACTORY: Electric values & plug configurations change for 3 phase or when adding electric options.

THURMADUKE SERVING SYSTEMS - HOT FOOD - ELECTRIC



Your Solutions Partner

Duke Manufacturing Co.
2305 N. Broadway
St. Louis, MO 63102

Phone: 314-231-1130
Toll Free: 1-800-735-3853
Fax: 314-231-5074

www.dukemfg.com

Printed in U.S.A
© 2020, Duke Manufacturing Co.