



Your Solutions Partner

# Specifications

F.O.B. Sedalia, Missouri 65301



TCM-46-N7

### OPTIONS:

- Internal Locking device
- 10" deep pan liner
- 14 gauge tops
- 220v - 50 Hz compressor
- Condensate evaporator
- 50 cycle compressor
- False Bottom
- Foodshields
- Workshields
- Trayslides
- Sliding/Hinged doors
- Tray Slides
- 6" adjustable Stainless steel legs
- 8' or 10' cord and plug
- Food pans - see Top Equipment section in price guide
- Veneered plastic laminate panels on body
- Powder coat paint colors
- Drain and condensing unit on operator's left
- Kickplates SS & PG

### AGENCY LISTINGS:



DUKE MANUFACTURING CO.

2305 N. Broadway

St. Louis, MO 63102

800.735.3853 Toll Free

314.231.5074 Fax

www.dukemfg.com

SS-1053 Thurmaduke SS Cold Mech N7

### Approval Stamp(s):

### PRODUCT INFORMATION:

PROJECT: \_\_\_\_\_

ITEM: \_\_\_\_\_

QUANTITY: \_\_\_\_\_

MODEL:

**Thurmaduke™ Serving Systems - Cold Pan**

**Mechanically Cooled - Meets NSF Standard 7 - 8"**

**Deep**

- **TCM-32-N7** 32" length unit
- **TCM-46-N7** 46" length unit
- **TCM-60-N7** 60" length unit
- **TCM-74-N7** 74" length unit
- **TCM-88-N7** 88" length unit

### TOP:

- 16 gauge, 300 Series stainless steel
- Edges flanged down 2" at 90° - all four sides
- Inside edges flanged down 90° against liner

### COLD PAN LINER:

- 300 Series stainless steel - 5" deep
- Insulated on all four sides and bottom
- 1" drain pipe and shut-off valve on operator's right

### REFRIGERATION:

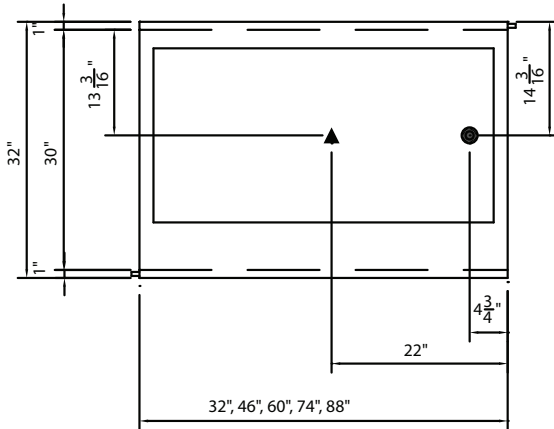
- 120 VOLT - 1 Phase - 448a refrigerant
- Condensing unit below top on operator's right
- Stainless steel louvered grille for air circulation
- Copper coils attached to bottom of 8" liner
- 6' electric cord and plug - NEMA 5-15
- Necessary controls for operation

### BODY:

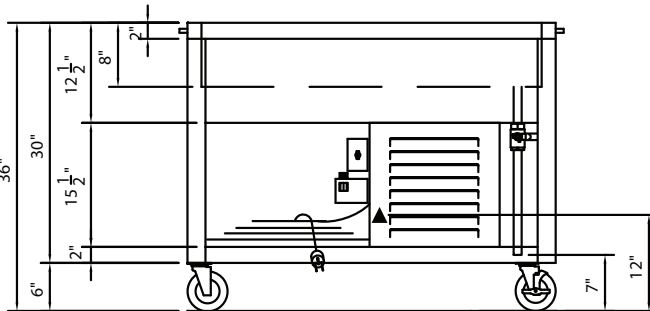
- Choice of (12) powder coat paint colors contact sales
- Stainless steel body
- Operator's side open to bottom shelf
- Customer side and ends fully enclosed
- Bottom shelf paint grip or stainless steel to match body

Specification subject to change

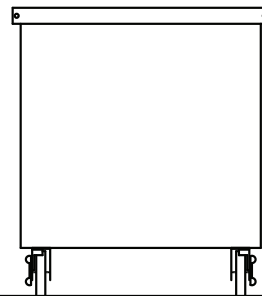




TOP VIEW



FRONT VIEW



RIGHT SIDE VIEW

LEGEND	
▲	ELECTRICAL CONNECTION - 6' Cord & Plug
●	DRAIN LOCATION - 1" brass drain, shut-off valve, drain extension 7" above floor

**DIMENSIONS:** Mechanical 8" Deep Cold Pan - All Units: Height - 36" (91.4 cm); Width - 32: (81.3cm)

**FREIGHT CLASS: 150**

Model	Body Length		Cold Pan Liner Dimensions						Cube ft. crated	Weight	
			Length		Width		Depth			lbs	kg
	in	cm	in	cm	in	cm	in	cm			
TCM-32-N7	32	81.3	28 ½	72.4	21 ¾	55.3	8	20.3	34.8	255	115.9
TCM-46-N7	46	116.8	42 ½	108.0	21 ¾	55.3	8	20.3	47.7	354	160.9
TCM-60-N7	60	152.4	56 ½	143.5	21 ¾	55.3	8	20.3	60.5	425	193.2
TCM-74-N7	74	188.0	70 ½	179.1	21 ¾	55.3	8	20.3	73.3	518	235.5
TCM-88-N7	88	223.5	84 ½	214.6	21 ¾	55.3	8	20.3	86.2	580	263.4

**ELECTRICAL SPECIFICATIONS:** (Consult factory for other options)

Model	120 Volt/NEMA 5-15	Refrig
	Amps	448A oz
TCM-32-N7	6.14	11
TCM-46-N7	6.78	12
TCM-60-N7	6.78	14
TCM-74-N7	6.78	18
TCM-88-N7	6.78	18



Your Solutions Partner

**Duke Manufacturing Co.**  
2305 N. Broadway  
St. Louis, MO 63102

Phone: 314-231-1130  
Toll Free: 1-800-735-3853  
Fax: 314-231-5074

www.dukemfg.com