

Item# \_\_\_\_\_  
Project: \_\_\_\_\_  
Qty: \_\_\_\_\_

# Undercounter Refrigerator

## UCR-26-HC



## UCR-36-HC



Serv-Ware

### Features

- Electronic thermostat & digital led temperature display
- High efficiency cfc free insulation
- Auto defrosting & auto evaporation of condensation water
- Stainless steel front & sides
- Self-closing doors, remain open past 90°
- Shipped with casters installed

**Conforms to UL471, CSA C22.2 and NSF 7 Standards.**

**Two Year** - Parts & Labor on entire unit. Valid in United States  
**Three Year** - Additional Compressor, Part Only



**Serv-Ware**  
[www.servware.com](http://www.servware.com)

Phone:(800).768.5953

Revised 10/18

Fax:(800).976.1299



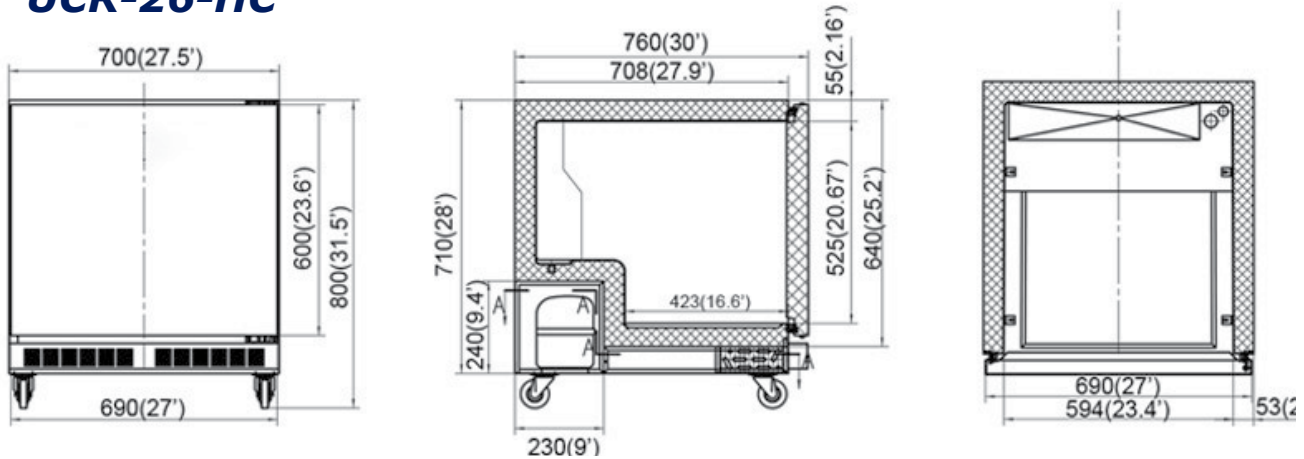
Item# \_\_\_\_\_

Project: \_\_\_\_\_

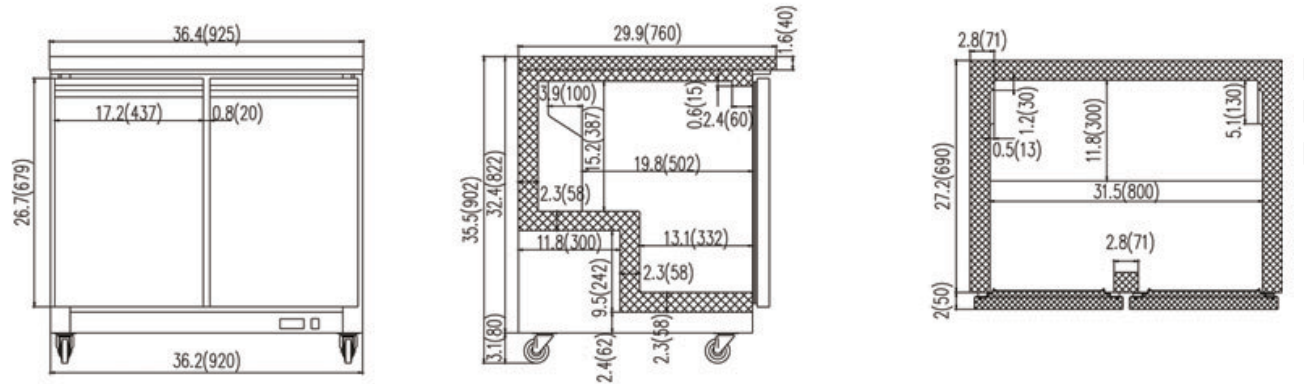
Qty: \_\_\_\_\_

# Undercounter Refrigerator

## UCR-26-HC



## UCR-36-HC



### 26" Refrigerator

**Exterior Dimensions** 27.5" W x 30" D x 31.5" H  
**Net Volume** 6.5 cu. ft.  
**Shipping Weight** 177 lbs

### 36" Refrigerator

**Exterior Dimensions** 36.4" W x 29.9" D x 35.5" H  
**Net Volume** 7.7 cu. ft.  
**Net Weight** 267 lbs

### Construction

**Exterior Material** Stainless Steel  
**Interior Material** ABS with S/S Floor  
**Insulation Material** CFC Free Foam  
**Shelf Material** Epoxy Coated Wire

### Cooling

**Temperature Range** 33°F – 41°F  
**Refrigerant** R600  
**Defrosting** Every 6 Hours  
**H/P** 1/4

### Electrical

**Voltage** 115  
**Amps** 5 (UCR-26 & UCR-36)  
**Hz** 60  
**Phase** 1  
**Nema Plus** 5-15P



**Serv-Ware**  
[www.servware.com](http://www.servware.com)

Phone: (800).768.5953

Revised 10/18

Fax: (800).976.1299

