

# SOMERSET®

Tel: 978.667.3355

800.772.4404

Fax: 978.671.9466

Email: [somerset@smrset.com](mailto:somerset@smrset.com)

[www.smrset.com](http://www.smrset.com)



## SMS-60 MEAT SHREDDER *Plus*

**P1-Pulled**



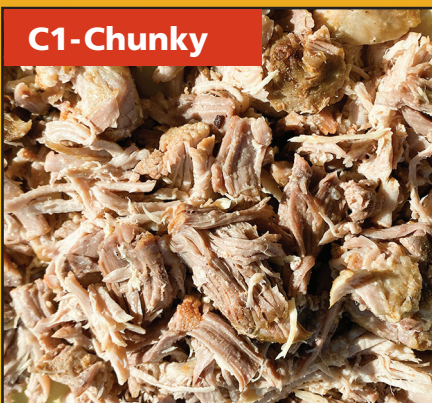
**From pulled, chunky, to shredded, this machine does it all**

- Increase Production
- Provides Product Consistency
- Saves Ingredients & Labor

**S1-Shredded**



**C1-Chunky**



All proteins shred or pull differently depending on preparation of product



**Enhance the Taste with Fresh Shredded Ingredients**

**THE IDEAL SHREDDER THAT SHREDS MEATS, VEGGIES, AND CHEESES IN SECONDS!**



*No more messy, time-consuming shredding by hand*

**BBQ • Tex Mex • Sandwich Shops • Pizza Toppings • Restaurants**

## CHOOSE FROM THREE PLATES

**P1-Pulled**

**S1-Shredded**

**C1-Chunky**



All proteins shred or pull differently depending on preparation of product

**The compact SMS-60 SHREDDER is simple to use**



**1**  
Place the protein into chamber



**2**  
Rotate handle



**3**  
Finished product drops into bucket!

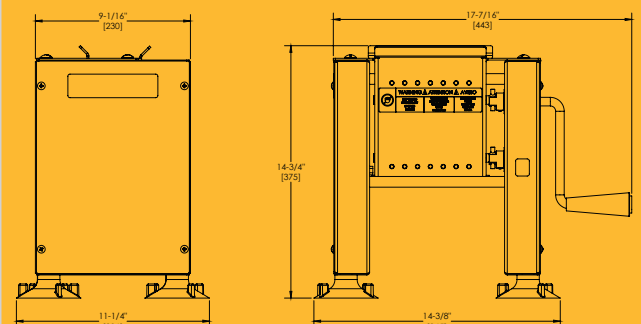
### HIGHLIGHTS

- Shred product in minutes
- Safe and easy to use
- All stainless steel
- Sanitary, easy to clean
- Avoids product dryness
- Avoid messy process
- Less waste
- Always a consistent product

### IDEAL FOR

- Tacos
- Burritos
- Enchiladas
- BBQ pulled meats
- Meat Sandwiches
- Salads
- Feta cheese
- Pizza toppings

(Specifications subject to change without notice)



PATENT PENDING