

# SOMERSET

Tel: 978.667.3355

800.772.4404

Fax: 978.671.9466

Email: [somerset@smrset.com](mailto:somerset@smrset.com)

[www.smrset.com](http://www.smrset.com)



## CDR-700

## DOUGH SHEETER

### ★ EXTRA HEAVY DUTY ★

#### IDEAL FOR:

- High Volume Pizza Production
- Dough Lamination
- Dough Breaking
- Doughnut Production
- Pastry Production
- Pasta
- Cookies
- Dog Biscuits

#### HIGHLIGHTS:

- Sheets over 50lbs of dough up to 20" (51cm) wide
- Ideal for demanding applications with extra tough dough
- Ergonomic design makes it easy and simple to operate
- All stainless steel construction offers safety, sanitation, speed, simplicity, durability, and low cost



*The ultimate sheeter in safety and performance.  
Sheets dough to a uniformed thickness in seconds.*

SOMERSET INDUSTRIES, INC • 1 ESQUIRE ROAD • NORTH BILLERICA, MA 01862 • U.S.A.

# SOMERSET

## DOUGH SHEETER

# CDR-700

**CDR-700 SYNTHETIC ROLLERS**

**CDR-700M METALLIC ROLLERS**

### FEATURES

- Removable sliding tray for easy operation, cleaning, and space saving
- Synthetic or metallic rollers
- Safety sensors for automatic shutoff
- Compact design, ideal for use in limited space
- Sanitary, heavy duty, all stainless steel welded construction
- Spring loaded scrapers readily removable for easy cleaning
- Simple handle adjustments for exact uniform dough thickness
- Maintenance free drive mechanism, isolated from the roller area
- Easy to operate, easy to clean
- Extremely versatile and safe machine

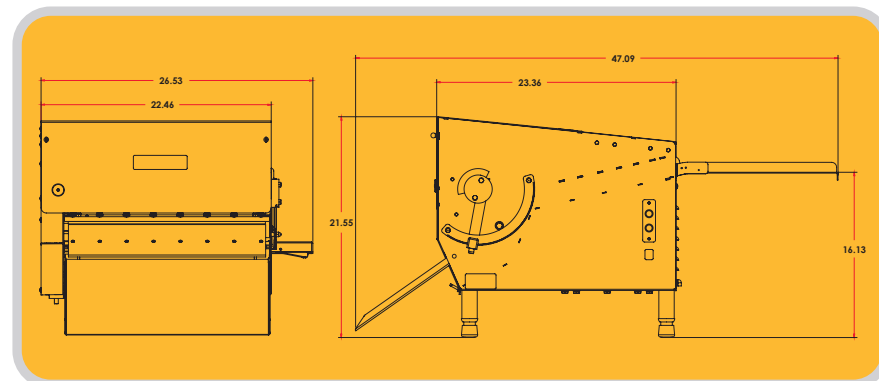


### INDUSTRY USES:

- Pizzerias • Bakeries • Donut Shops • Dough Production • Schools • Institutions

### SPECIFICATIONS

(Specifications subject to change without notice)



**Rollers:** 3.5" dia. by 20" length  
(8.89 cm dia. by 50.80 cm length)

**Scrapers:** Synthetic, Spring Loaded, Removable

**Bearings:** Sealed Ball Bearings, Permanently Lubricated

**Gear Motor:** Heavy Duty 1 HP, Maintenance Free, Single Phase, 115v/60Hz, 220v/50Hz

**Finishing:** All Stainless Steel

**Legs:** 4" Adjustable, Stainless Steel

**Shipping Weight:** 210 lbs (95kgs)



MADE IN THE U.S.A. 05.10.12