

Skyfood

RQC CHEESE & COCONUT SHREDDER/GRATER



The RQC Cheese and Coconut Shredder/Grater is ideal for pizzerias, deli's, bakeries, bars, restaurants, hotels and similar operations.

- High productivity and less effort

Unique direct drive system and 1/2 HP powerful motor

- High quality and precise cuts

Feeding chute and discs specially designed to avoid food waste

- Easy to use and quick disc change system

- Robust structure with high durability

Stainless steel and cast aluminum

- Safety system

Microswitch disconnects power when handle is up and door is open

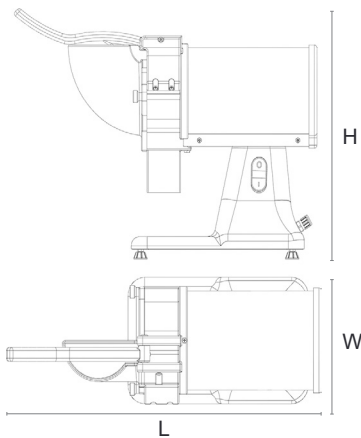
- Comes standard with 3 discs

1 grater and 2 shredders

www.skyfood.us

Skyfood

RQC CHEESE & COCONUT SHREDDER/GRATER



1 x Grater Disc

Ideal for hard cheeses, such as parmesan, and for chocolate



1 x 5/32" Shredder Disc

Ideal for vegetables



1 x 5/16" Shredder Disc

Ideal for soft cheeses, such as mozzarella, also for chocolate and coconut

Voltage.....	110 V
Power Rating	1/2 HP
Height	16 1/2"
Width	8"
Depth	22 1/2"
Net Weight	35 lb
Shipping Weight	38 lb
Disc Rotation.....	1750 rpm
Disc Size.....	5 1/2"
Feeding Chute (WxH).....	2 1/8" x 4 3/4"
Production	187 lb/h (approximate)

Office:

11900 Biscayne Blvd Suite 616,
North Miami, FL 33181
Phone: 800-503-7534 or 305-868-1603
Fax: 305-866-2704

Warehouse:

11200 NW 25th Street,
Suite 123
Miami, FL 33172

1-800-503-7534
www.skyfood.us

Contact your local Skyfood Representative for additional information.
Visit our web site at www.skyfood.us for location and contact information.

WARRANTY 1 (one) year parts and labor valid in the Continental United States.

SPECIFICATIONS ARE SUBJECT TO CHANGE WITHOUT NOTICE.