

SICO® Food Warmer Transport

Each Transport Caddie holds up to 6 boxes.



Mobile Food Warmer Transport

Features, Advantages & Benefits

- Caddie holds 6 food warmers.
- Available in 120 and 240 volt models.
- Master power unit has own cord and switch.
- Caddies easily roll to where ever they are needed.
- 6 units can operate on one 20-amp circuit
- Each unit is marked with serial numbers for easy identification.

Specifications

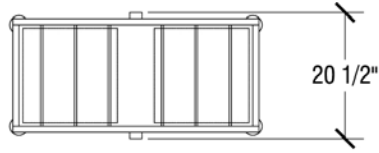
Model Number	Description	Weight	Cu.Ft.	Cu. M.	Height	Deep	Wide
3909-100	120 volt	103 lbs (47 kg.)	31.6	0.88	79-1/4" (201cm)	20-1/2" (52cm)	40" (102cm)
3909-200	240 volt	103 lbs (47 kg.)	31.6	0.88	79-1/4" (201cm)	20-1/2" (52cm)	40" (102cm)



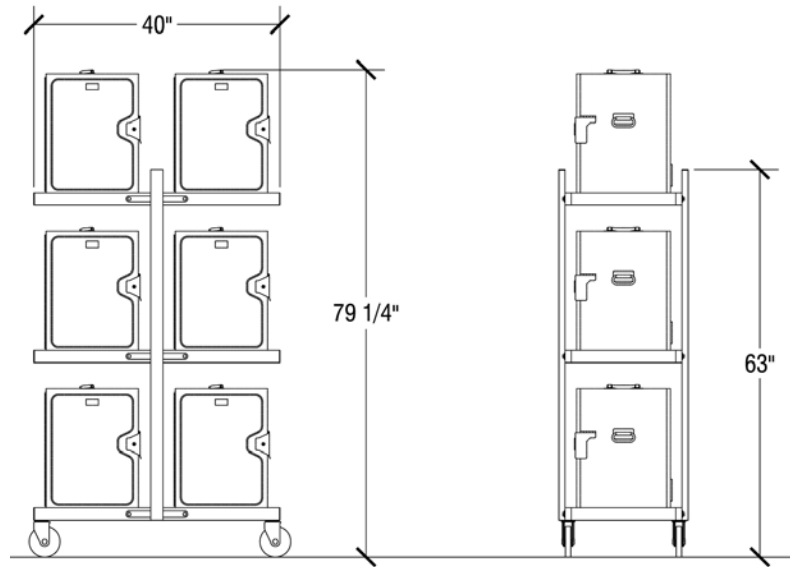
For More Information Visit: http://www.sicoinc.com/food_warmer_transports.php
7525 Cahill Road, Minneapolis MN 55439
1.800.533.7426

SICO[®] Food Warmer Transport Dimensions

Electric & Solid Fuel Food Warmer Transport Dimensions



Top View



Side View

End View



For More Information Visit: http://www.sicoinc.com/food_warmer_transports.php

7525 Cahill Road, Minneapolis MN 55439

1.800.533.7426