

COOL FLAVORS. FOR COOL CONCOCTIONS.

COLD FOOD SERVERS/HOLDERS

CSM cools and serves thin condiments like flavored non-dairy creamers for a unique coffee experience

Portion-controlled pump ensures flavor consistency – 1 oz max stroke reduces in 1/8 oz increments



Conveniently interfaces with espresso machines to froth lattes



No need to find an outlet – servers utilize HoldCold™ jars or ice packs to keep foods cold



1.800.558.8722
Server-Products.com



COLD FOOD SERVERS/HOLDERS

Models MMS, CSM & ECH

Food Applications

- CSM models hold and dispense thin, non-hazardous condiments like flavored non-dairy creamers
- MMS is ideal for thick and thicker cold foods like mayo or tartar sauce in a warm environment
- ECH connects to espresso machines for foamy lattes

Fast Facts

Cold Food Servers and Holders keep condiments and beverage add-ins cool without the restraint of finding electrical outlets. Units include (2) ice packs (100515) and a stainless steel jar. CSM model is also available with HoldCold™ jars, (1) black and (1) white, for extended cooling time.



COLD FOOD SERVERS/HOLDERS
 Models MMS, CSM & ECH

KEEP DRINK BASES AND ADD-INS AT THE READY.

COLD FOOD SERVERS/HOLDERS

Models CSM, MMS & ECH

Specifier Statement

Server Products Cold Food Server or Cold Food Holder Models CSM, MMS and ECH designed to cool non-dairy creamer or other non-hazardous liquids are constructed of a stainless steel exterior and one-piece seamless plastic interior. Servers include stainless steel, portion-control pump (max 1 oz stroke reduces in 1/8 oz increments), a 3 qt (2.8 L) stainless steel jar, and (2) Universal Ice Packs (100515) or (1) white and (1) black HoldCold™ jar. Model ECH accepts a hose directly from an espresso machine into a hole in the lid and comes complete with stainless steel jar and (2) ice packs. BPA Free. Two-year warranty. Ships FOB Richfield, WI 53076.

Product Codes

- Cold Food Server, Thick MMS 94070
- Cold Food Server, Thin CSM 94000
- Cold Food Server, Thin HoldCold™ CSM 94113
- Cold Food Holder, Thin (frothing) ECH 94090

Specifications

Part Number	Capacity	Dimensions (height x width x depth)	Weight
94000	3 qt 2.8 L	14 15/16" x 7 3/4" x 10 7/16" 37.9 x 19.7 x 26.5 cm	8 lb 3.6 kg
94113	2 3/4 qt 2.6 L	14 15/16" x 7 3/4" x 10 7/16" 37.9 x 19.7 x 26.5 cm	14 lb 6.4 kg
94090	3 qt 2.8 L	10 1/2" x 7 3/4" x 7 3/4" 26.7 x 19.7 x 19.7 cm	6.6 lb 3 kg

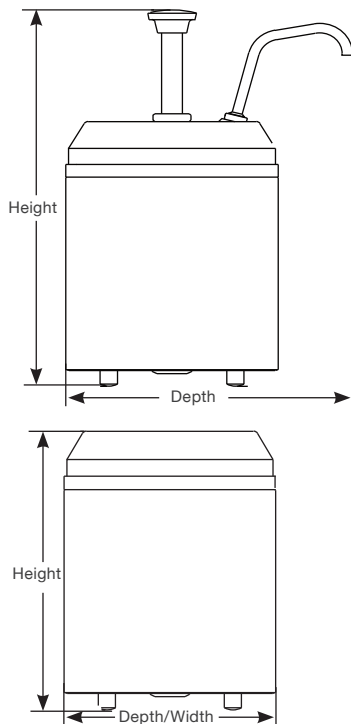


*ECH only

Accessory Items

- 3 qt (2.8 L) stainless steel jar 94009
- Universal Ice Pack 100515
- Kit, round HoldCold™ jars, (1) white, (1) black 94057

CSM Cold Food Server



Accessory Items

Server's WireWise™ tiered organizer ensures your coffee stations stay organized. Keep flavors at the ready; each organizer holds (3) 1 gallon jugs, 1 L bottles or fountain jars with stainless steel pumps.



Server Products, Inc. 800.558.8722 | Int'l: 262.628.5600
3601 Pleasant Hill Road | Richfield WI 53076
spsales@server-products.com | server-products.com