



# Get out all the good.

## 1/9-Size Jar Pumps



Both stainless steel and hybrid Eco™ Pump models fit in Server's exclusive 1/9-size jar\*

Manage food costs and flavor with portion-controlled pumps

Tall model features a higher discharge point for additional serving clearance with drop-in stations\*

NSF listed, clean-in-place certified or disassemble for cleaning and years of service

Use interchangeable engraved and colored knobs to help identify products for stainless steel pumps; black is standard



CP-1/9  
87300

CP Tall-1/9  
87249

FP-1/9  
87310

BP Syrup-1/9  
88150

\*Bases and jars sold separately

1/9-Size Jar Pumps  
Models CP-1/9, CP-1/9 Tall, FP-1/9, & BP Syrup-1/9



### FAST FACTS

- 1 oz (30 mL) maximum portion; adjustable in 1/8 oz (3.7 mL) increments
- Fits Server Products exclusive 1/9-size jars with 2 qt capacity (sold separately)

### APPLICATIONS

- Serve from insulated or ambient topping stations
- Dispense drink syrups and concentrates, hot sauce, soy sauce or other ingredients with exacting portion control

# Purposefully made to last.

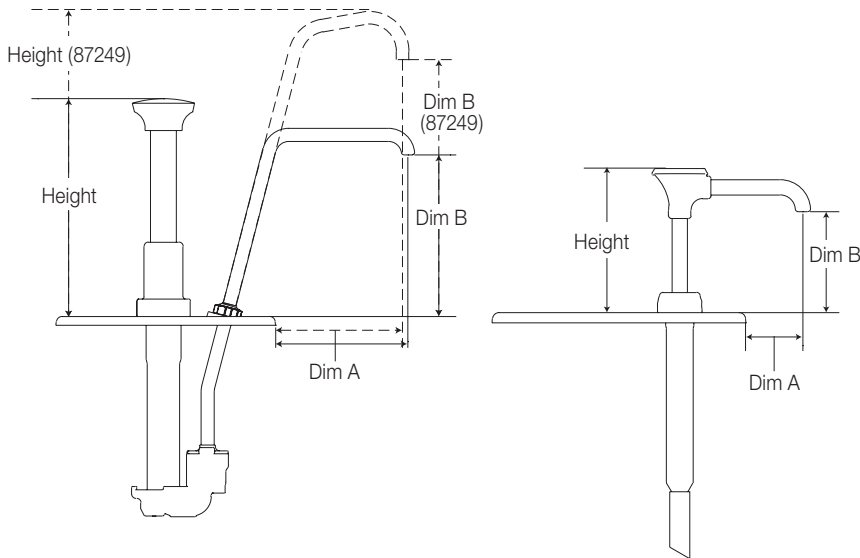
## 1/9-Size Jar Pumps—2 qt

Models CP-1/9, CP-1/9 Tall, FP-1/9, & BP Syrup-1/9

DISPENSES	<b>THIN</b> fountain syrups • oils • hot sauce
	<b>THICK</b> ketchup • mustard • mayonnaise • bbq
	<b>THICKER</b> tartar sauce • crafted sauces
APP	<b>AMBIENT</b>
	<b>COLD</b>
	<b>HOT</b>

### SPECIFIER STATEMENT

**87300 | 87249 | 87310 | 88150:** Server Products 1/9-size jar model pumps dispense directly from a 1/9-size jar, 6" (15.2 cm) deep. Each stainless steel pump is constructed with a cast valve body featuring captured balls to prevent loss. Stainless steel pumps dispense a max portion of 1 ounce (30 mL) per stroke reduces in 1/8 ounce (3.7 mL) increments with supplied gauging collars. Bottle pump dispenses a fixed 1/4 oz (7.4 mL) portion. Stainless Steel Pump knob can be colored and engraved to label contents; black is standard. Stainless steel and plastic hybrid BP Syrup-1/9 is an alternative to disposable pumps. Exclusive 1/9-size jar sold separately. NSF listed. BPA Free.



order quantity	dispenses	model/item	application	pump & lid fit (jar not incl.)	full portion	dimensions H x W x D (above jar)	weight	dim a	dim b
<input type="checkbox"/>		CP-1/9 87300				6 1/4" x 3 15/16" x 6 1/4" 15.9 x 10 x 15.9 cm		3 1/4" 9.5 cm	4 3/8" 11.1 cm
<input type="checkbox"/>		CP-1/9 Tall 87249		1/9 -size jar, deep (60 oz)	1 oz 30 mL	9" x 3 15/16" x 6 1/4" 22.9 x 10 x 15.9 cm	2 lb .9 kg	3 7/8" 9.8 cm	7 3/8" 18.7 cm
<input type="checkbox"/>		FP-1/9 87310				6 1/4" x 3 15/16" x 6 1/4" 15.9 x 10 x 15.9 cm		3 3/4" 9.5 cm	4 1/8" 10.5 cm
<input type="checkbox"/>		BP Syrup-1/9 88150			1/4 oz 7.4 mL	3 9/16" x 3 15/16" x 6 1/4" 9 x 10 x 15.9 cm	1 lb .5 kg	1 3/8" 3.5 cm	2 1/8" 10 cm