

Item# _____
Project: _____
Qty: _____

Tubular Slant Rack



Serv-Ware

Features

- 16 Gauge 430 Stainless Steel
- 18 Gauge, 1 $\frac{5}{8}$ " Diameter Support Tubes
- Side Brackets Drilled for Wall Mounting



Serv-Ware
www.servware.com

Phone:(800).768.5953

Fax:(800).976.1299

Revised 5/17

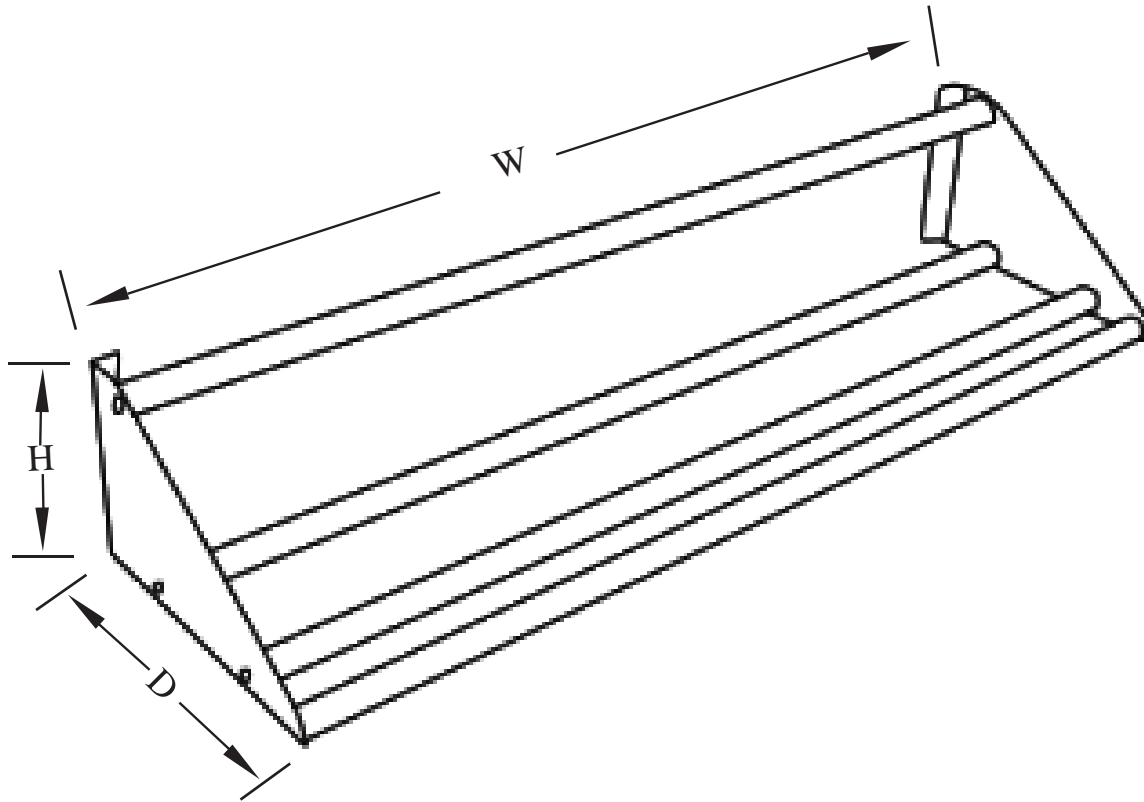


Item# _____

Project: _____

Qty: _____

Tubular Slant Rack



Serv-Ware

Model

Dimensions

Weight / lbs.

	(W x H x D)	(Shipping)
SRT22-CWP	22" x 11.25" x 18"	12
SRT42-CWP	42" x 11.25" x 18"	18
SRT62-CWP	62" x 11.25" x 18"	25



Serv-Ware
www.servware.com

Phone:(800).768.5953

Fax:(800).976.1299

Revised 5/17

