

Item# _____
Project: _____
Qty: _____

Aluminum Dunnage Rack



Serv-Ware

Features

- Heavy Duty 1½" Square Aluminum all Welded Construction
- 1½" x 2" Angles
- For Use in Walk-in Coolers and Freezers, Dry Storage or Display
- Extends Product Life by Circulating Air Underneath
- Capacity 2,200 lbs. to 2,500 lbs.



Serv-Ware
www.servware.com

Phone:(800).768.5953

Fax:(800).976.1299

Revised 1/17

ALUMINUM

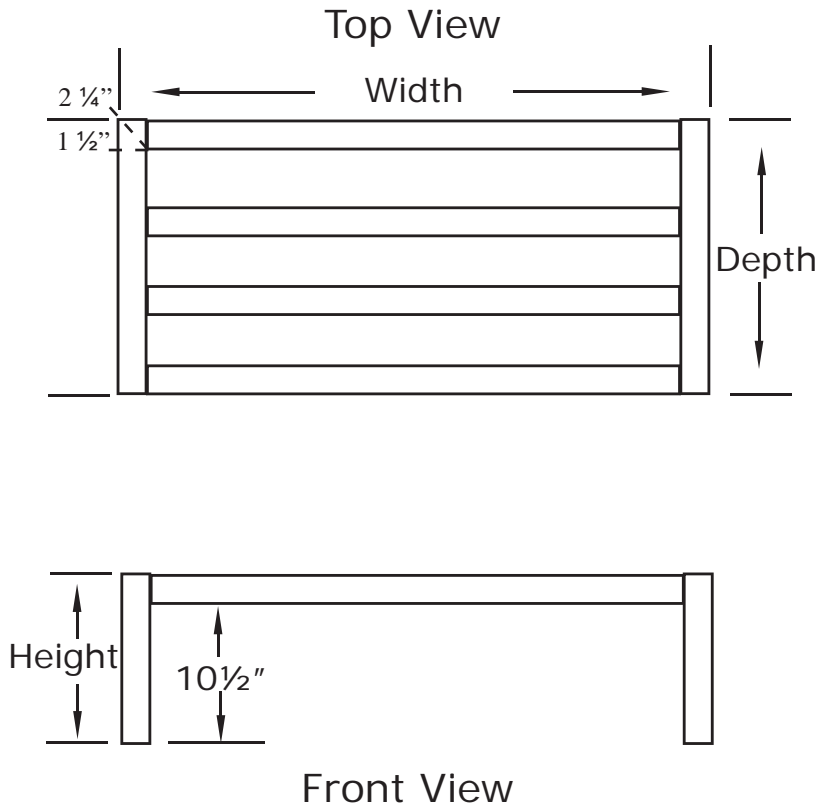


Item# _____

Project: _____

Qty: _____

Aluminum Dunnage Rack



Serv-Ware

Model	Size (D x W x H)	Capacity	Weight/lbs (Shipping)
CWP-DR-203612	20" x 36" x 12"	2500 lbs	9
CWP-DR-204812	20" x 48" x 12"	2200 lbs	11
CWP-DR-206012	20" x 60" x 12"	2000 lbs	13
CWP-DR-243612	24" x 36" x 12"	2500 lbs	10
CWP-DR-244812	24" x 48" x 12"	2200 lbs	13
CWP-DR-246012	24" x 60" x 12"	2000 lbs	15



Serv-Ware
www.servware.com

Phone: (800).768.5953

Fax: (800).976.1299

Revised 1/17

ALUMINUM

