

Item# _____
Project: _____
Qty: _____

Double Sneeze Guard

SG5-2



Serv-Ware

Features

- Stainless steel top
- For 5 bay food warmer
- Double sided sneeze guard
- 6mm thick tempered glass guard
- Allows access to food on both sides
- Fits Serv-Ware model # EST5-1 & # EST5-2 Food Warmer



Serv-Ware
www.servware.com

Phone:(800).768.5953

Fax:(800).976.1299

Revised 11/18

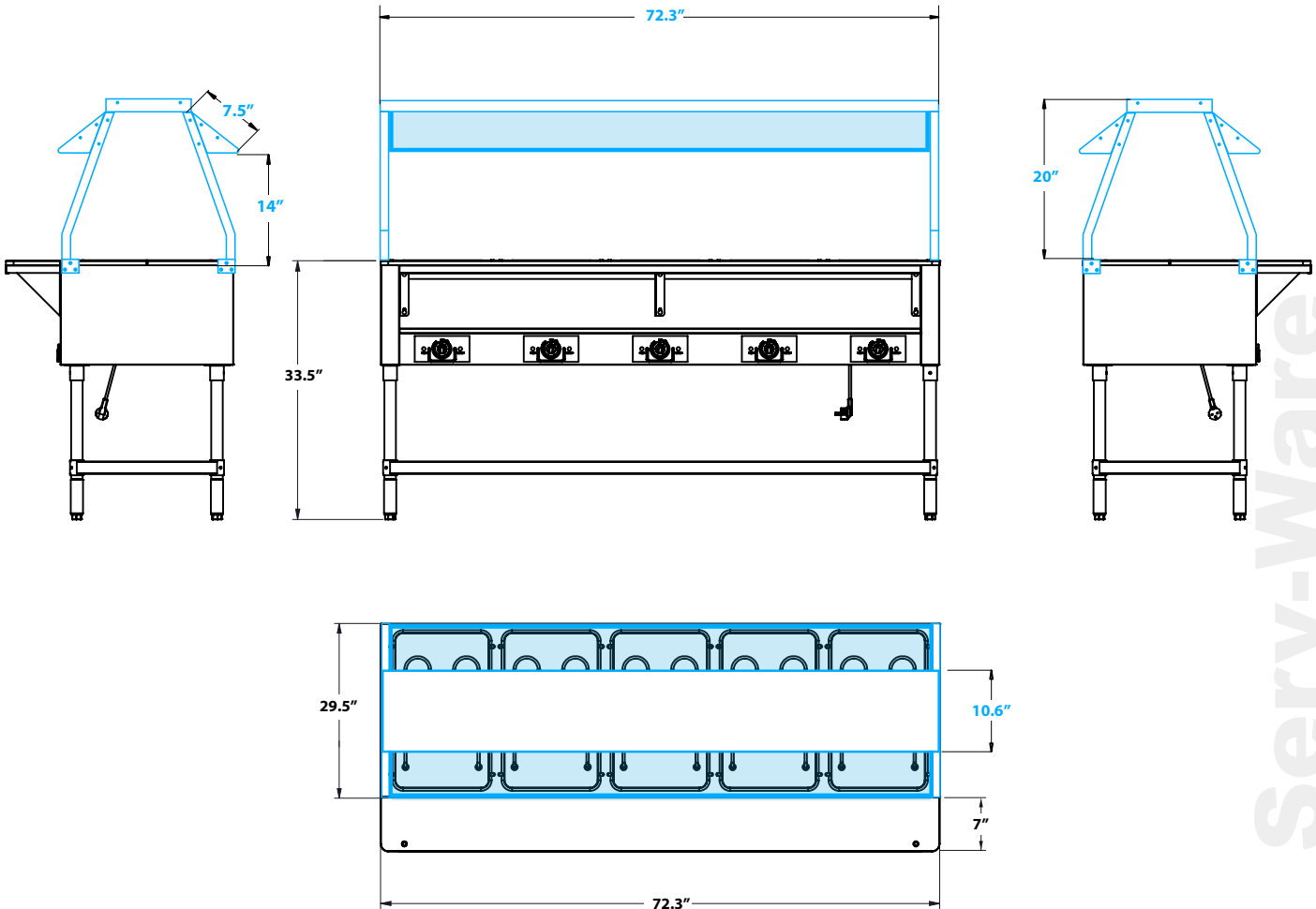
Item# _____

Project: _____

Qty: _____

Double Sneeze Guard

SG5-2



Model	Description	Dimensions (H x W x D)	Weight / lbs. (Shipping)
SG5-2	Double sided sneeze guard Fits 5 Bay Food Warmer	20" H X 72.3" W X 10.6" D	50 lbs.



Serv-Ware
www.servware.com

Phone: (800).768.5953

Fax: (800).976.1299

Revised 11/18