



STAINLESS STEEL

TWO COMPARTMENT A.D.A. COMPLIANT WALL MOUNTED SCRUB SINK



SCR-ADA-2

Item #: _____ Qty #: _____
 Model #: _____
 Project #: _____



FEATURES:

- Meets A.D.A. Compliance
- Slanted Front Wall Mount Design
- Coved Corner Bowl Radius
- Fully Enclosed Under Section Conceals Plumbing
- Removable Front Panels
- Supplied with Wall Mounting Bracket
- Includes Two K-6 Drains and Two K-410 Strainer Plate

CONSTRUCTION:

- All TIG welded.
- Welded areas blended to match adjacent surfaces and to a satin finish.

MATERIAL:

- 16 Gauge, Type 304 Stainless Steel

Model #	Length	Width	Bowl Depth	Wt.	Cu. Ft.
SCR-ADA-2	60"	21"	12 1/2"	235 lbs.	41

RECOMMENDED FAUCETS & OPTIONS



K-185/K-186



TA-14



K-187

Model #	Description
K-185	Hands Free Sensor Faucet, A/C Powered w/ Manual Wrist Handle, Rose Spray
K-186	Hands Free Sensor Faucet Battery Powered w/ Manual Wrist Handle, Rose Spray
K-187	Thermostatic Mixing Valve w/ Checks
TA-14	Panel Lock



Customer Service Available To Assist You 1-800-645-3166 8:30 am - 7:00 pm E.S.T.

For Orders & Customer Service:
 Email: customer@advancetabco.com or Fax: 631-242-6900

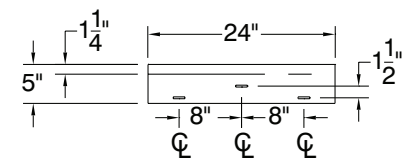
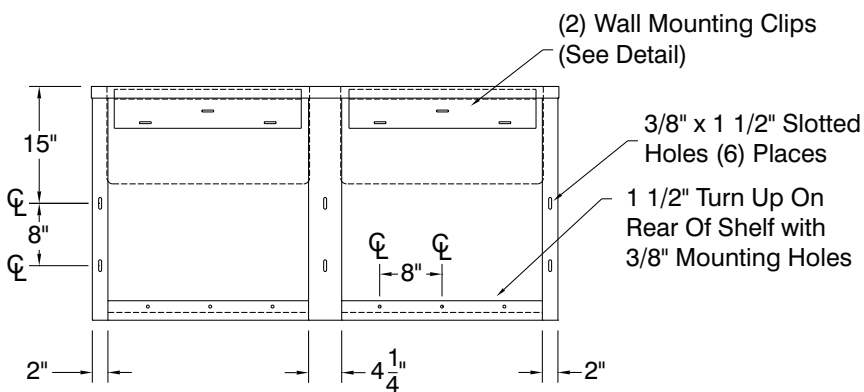
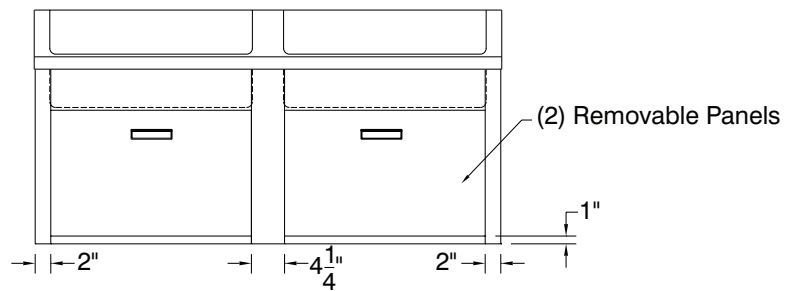
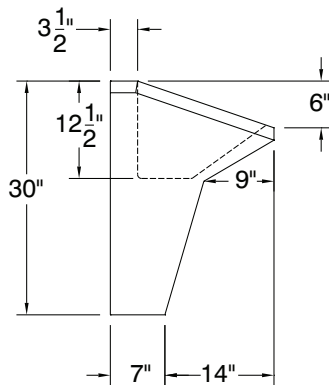
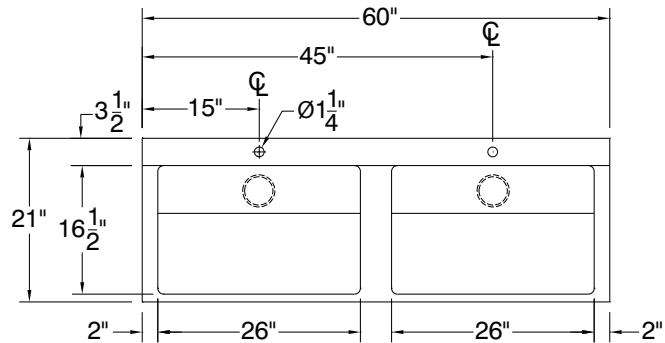
For Smart Fabrication™ Quotes:
 Email: smartfab@advancetabco.com or Fax: 631-586-2933

DIMENSIONS and SPECIFICATIONS

TOL Overall: $\pm .500''$

ALL DIMENSIONS ARE TYPICAL

SCR-ADA-2



TYPICAL REAR VIEW

235 lbs.



REF-2

200 Heartland Boulevard, Edgewood, NY 11717-8380

ADVANCE TABCO is constantly engaged in a program of improving our products. Therefore, we reserve the right to change specifications without prior notice.

© ADVANCE TABCO, MARCH 2021