

Prodigy® Cube Ice Machines up to 214 kg



Features

Prodigy® cubers use **significantly less energy and water** than other cube ice machines, exceeding energy efficiency regulations.

AutoAlert™ indicator lights constantly communicate about operating status and actually signal your staff when it's time to descale, sanitize, and more - making upkeep practically foolproof.

The patented **WaterSense adaptive purge control** delivers maximum reliability by reducing scale buildup for a longer time between cleanings.

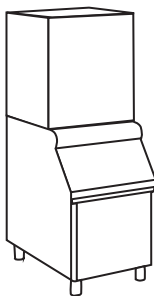
Preventative maintenance is simpler than ever with easily-removed panels allowing clear access to internal components and a diagnostic code display insuring the right fix the first time. Reusable air filter is easily removable from the outside.

All external panel components are crafted for **optimal aesthetic appeal** through superior fit and finish.

An optional **advanced feature Smart-Board™** provides additional operational data that can be displayed on-screen or transmitted remotely, resulting in early alert and fast diagnosis of operating issues.

An optional **Vari-Smart™ ultrasonic ice level control** sensor allows you flexibility to program ice levels, for up to 7 days, keeping just the right amount of freshly made ice in the bin.

Matching Bins



SB 193
SB 322

Other options available

Technologies



			[kg]	[lb]	N°	N°	[kg]	[lb]
C 0522 MA			214	471	21400	147	323	14700
C 0522 SA			214	471	42800	147	323	29400

*Estimate number of cubes.

[V/Hz/ph]
 220-240/50/1

R404A

[WxDxH mm]
 559 x 610 x 584
 [WxDxH inches]
 22" x 24" x 23"

This product qualifies for the following listings:



5 g

 Small Cube
 22 x 22 x 9.5 mm
 7/8" x 7/8" x 3/8"

10 g

 Medium Cube
 22 x 22 x 22 mm
 7/8" x 7/8" x 7/8"

2 Years Warranty

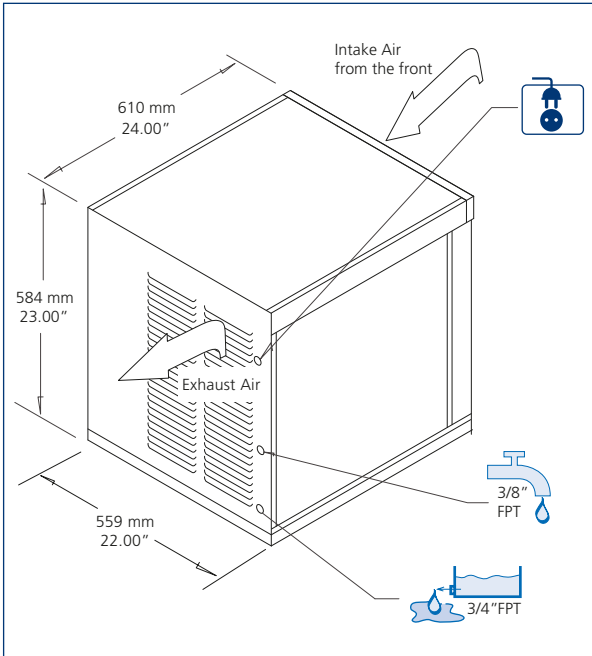
Subject to certain limitations and exclusions

Certified ISO 9001:2008

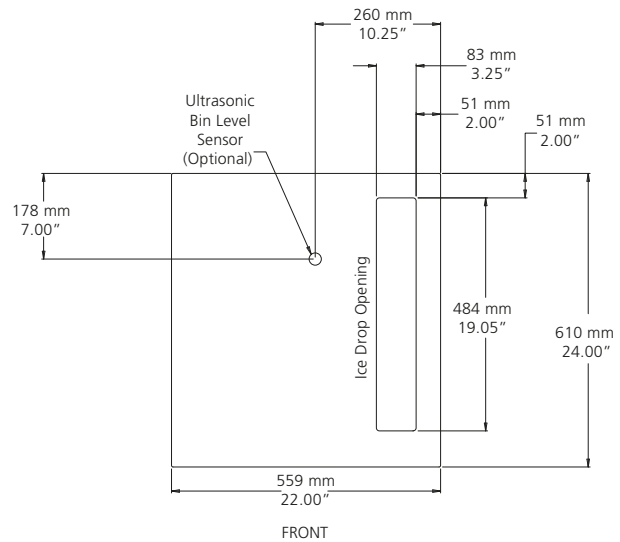
www.scotsman-ice.it
www.scotsman-ice.com

Other models in this range:
 C 0322 - C 0530 - C 0630
 C 0830 - C 1030 - C 1448
 C 1848 - C 2148

Prodigy® Cube Ice Machines up to 214 kg



Installation note:
 allow 152 mm space at left and back side for ventilation and utility connections.



22" Prodigy Plus plan view

Minimum		Maximum
10°C (50°F)		40°C (100°F)
5°C (40°F)		35°C (95°F)
-10%		+10%
1 bar 14 psi		5 bar 70 psi

	+C° -C°	[Btu/h] [W]	[Ømm²]	[W]	FUSE	[kWh] - 100 kg	[l/h]	32°C 90°F 21°C 70°F	[kg] [lb]	[kg] [lb]
C 0522 MA		7900 2300	3 x 1,5	890	15 A	10	8,0	2,1	66 144	73 160
C 0522 SA		7900 2300	3 x 1,5	890	15 A	10	8,0	2,1	66 144	73 160

IMPORTANT NOTICE:
 Models and specifications are subject to change without notice.
 This spec sheet is meant for commercial purpose only.
 For technical documentation please refer to our service manuals.

www.scotsman-ice.it
www.scotsman-ice.com