

Harmony

ITEM NO: _____
 PROJECT: _____
 DATE: _____

Product Specifications

Refrigerated Self-Service Low Profile Case



MODELS SHOWN: HMO5136R

- HMO3936R
- HMO5136R
- HMO7536R

Lengths include end panels
 38-3/4"L x 34-1/8"D x 37-3/4"H
 50-3/4"L x 34-1/8"D x 37-3/4"H
 75-1/8"L x 34-1/8"D x 37-3/4"H

STANDARD FEATURES

- Breeze w/EnergyWise s/c refrigeration
- Clear glass shelves, lighted (LED 3500K)
- Compressor air rear intake, front discharge. Toe kick cannot be blocked
- Condensate pan (self-contained refrig. only)
- Flat front panel
- Full end panel w/mirror interior
- Integrated average product temperature of 40°F or less
- LED 3500K top & shelf lights
- One year parts & labor; 5 year compressor warranty
- Open reach-in front
- Upper & lower rear areas white

Features	Standard	Options
EXTERIOR COLOR	<input type="checkbox"/> Laminated (non-premium) Confirm pattern/grain direction	<input type="checkbox"/> Laminated (premium) Confirm pattern/grain direction <input type="checkbox"/> Stainless steel (includes rear of case)
INTERIOR COLOR	<input type="checkbox"/> Black	<input type="checkbox"/> Stainless steel <input type="checkbox"/> White
REAR EXTERIOR COLOR	<input type="checkbox"/> Painted - White	<input type="checkbox"/> Painted - Black <input type="checkbox"/> Stainless steel (w/stainless ext. only)
TRIM COLOR	<input type="checkbox"/> Black	<input type="checkbox"/> Silver
BASE	<input type="checkbox"/> Levelers	<input type="checkbox"/> 6"H legs <input type="checkbox"/> Casters (n/a with remote)
UPPER REAR	<input type="checkbox"/> Solid back panel	<input type="checkbox"/> Clear glass rear sliding doors w/o lock
ELECTRICAL CONNECT	<input type="checkbox"/> 6' Straight blade power cord (self-cont.)	<input type="checkbox"/> 6' Locking power cord (self-cont.) <input type="checkbox"/> Electrical leads (remote)
REFRIGERATION	<input type="checkbox"/> Breeze w/EnergyWise s/c refrigeration	<input type="checkbox"/> Note: Remote doesn't incl Conds unit. Floor drain reqd. <input type="checkbox"/> Remote w/thermostat, solenoid & TXV
MISCELLANEOUS		<input type="checkbox"/> Rear door lock <input type="checkbox"/> Second year parts & labor warranty (excludes compressor)
ACCESSORIES		<input type="checkbox"/> 2"H Display steps <input type="checkbox"/> Clean Sweep® coil cleaner (n/a w/remote) <input type="checkbox"/> Night curtain, retractable, non-locking <input type="checkbox"/> Price tag molding (matches interior color) <input type="checkbox"/> Removable wire security cover, locking

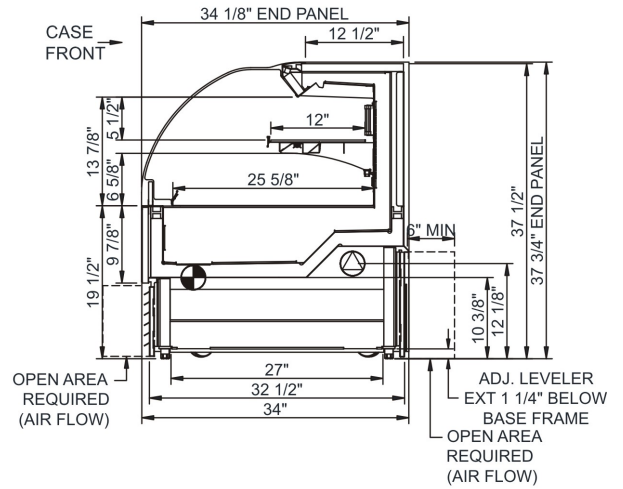
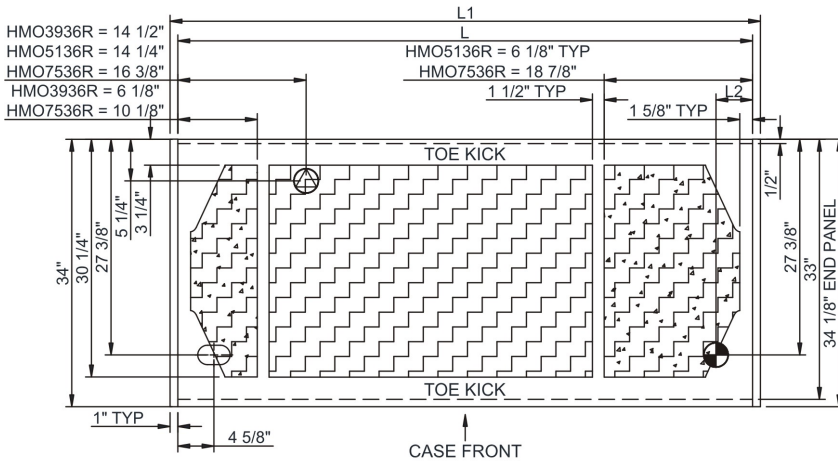
Harmony

Product Specifications

Intended Environment: Type I - Designed to operate in ambient conditions of 75°F with 55% relative humidity unless noted otherwise in system information below.		Warmest Avg Prod Temp ° F
Zone	Intended Product To Be Displayed	
1	Packaged refrigerated products	40

PLAN VIEW

SIDE VIEW



NOTE: ALL DIMENSIONS APPROXIMATE

- ELECTRICAL JUNCTION BOX (SUPPLIED WITH 6" LEADS OR POWER CORD).
- LOCATION OF DRAIN TUBE FOR REMOTE REF. ONLY (SUPPLIED WITH 3/4" OR 1 1/2" PVC TUBE).

- REFRIGERATION LINE CONNECTION.
- REMOTE FLOOR SINK & UTILITIES ACCESS AREA.

- SELF-CONTAINED CASE SERVICE ACCESS AREA.
- DRY CASE SERVICE ACCESS AREA.

Model Technical Specifications

Model	L"	L1"	L2"	System Circuit Volts		Phs	Freq	Amps ***	Watts	Wires	NEMA Plug	SST	Conv. Rack BTUH	Para. Rack BTUH	Est Wt	
HMO3936R	N/A	38.75	4.63	Remote(Type I)	Circuit #1	110-120	1	60	1.15	95	2+G	Leads Multiple	24.00	2544	2356	650
				Self-Contained	Circuit #1	110-120	1	60	14.10	1,064	2+G	5-20P or L5-20P	N/A	N/A	N/A	
HMO5136R	N/A	50.75	4.63	Remote(Type I)	Circuit #1	110-120	1	60	1.57	146	2+G	Leads Multiple	20.00	2592	2400	750
				Self-Contained	Circuit #1	110-120	1	60	16.00	1,472	2+G	5-20P or L5-20P	N/A	N/A	N/A	
HMO7536R	N/A	75.13	4.63	Remote(Type I)	Circuit #1	110-120	1	60	2.23	210	2+G	Leads Multiple	20.00	3974	3680	950
				Self-Contained	Circuit #1	208-240	1	60	11.98	1,935	2+G	6-20P or L6-20P	N/A	N/A	N/A	

*** Does not include electric defrost on freezer models.

Important Notes:

- 1) ELECTRICAL NOTE: If GFCI is required, a GFCI breaker MUST be used in lieu of a GFCI receptacle
- 2) 35" Minimum door entry clearance required (without shipping skid).
- 3) Units are supplied with levelers which must be adjusted during installation to ensure the unit is level and plumb.

⚠ WARNING: This product can expose you to chemicals, including Urethane (Ethyl Carbamate), which are known to the State of California to cause cancer and birth defects or other reproductive harm. For more information go to www.P65Warnings.ca.gov.

Regulatory Approvals:

All Models
 Accordance with AHRI Std 1200
 ETL Listed to UL 471
 ETL Listed to CAN/CSA 22.2 No. 120
 ETL Sanitation to NSF 7



In Accordance with
AHRI Std 1200

DOE 2017
 Energy Efficiency
 Compliant