

High Envir. Refrig. Self-Service Dual Sided Case
40°F Product In Environments Up To 85°F/60% RH

- HEFSC463R
- HEFSC663R

Lengths include end panels
 47-1/4"L x 53-1/8"D x 70-1/4"H
 75-1/2"L x 53-1/8"D x 70-1/4"H



MODEL SHOWN: HEFSC663R

Conforms to NSF STD 7
TYPE II

STANDARD FEATURES

- Breeze~E (Type-II) w/ EnergyWise s/c refrigeration
- 6' Power cord
- Casters w/ levelers
- Compressor air intake in one side & out other side. All louvered panels cannot be blocked
- E-Coated evaporator coil
- Environmental door system w/ Roll-down security cover, locking
- LED 3500K top light(s)
- NOTE: Electrical specs reflect highest Amp draw using lighted shelves option
- One year parts & labor; 5 year compressor warranty
- Price tag molding (matches interior color)
- Removable deck pans provide complete access to evaporator coil & refrigeration connections

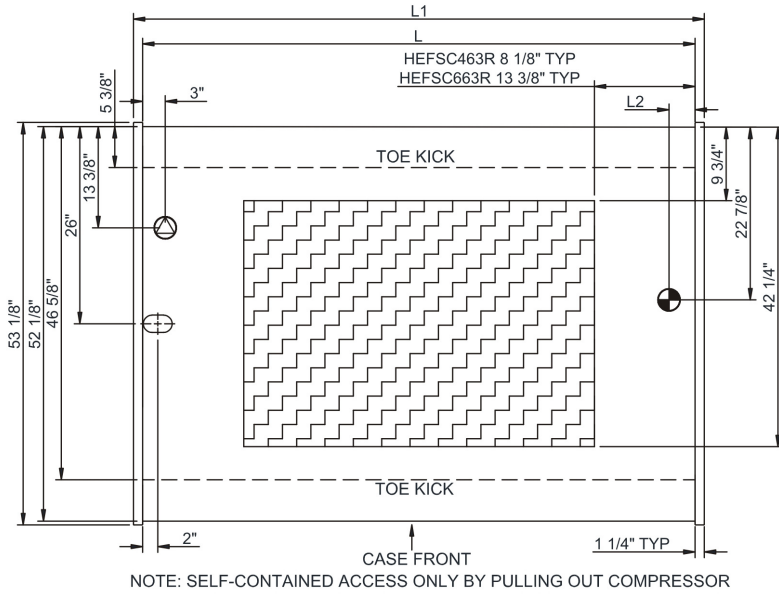
Features	Standard	Options
EXTERIOR COLOR	<input type="checkbox"/> Laminated (non-premium) Confirm pattern/grain direction	<input type="checkbox"/> Laminated (premium) Confirm pattern/grain direction <input type="checkbox"/> Stainless steel (includes lower front panel)
INTERIOR COLOR	<input type="checkbox"/> Black	<input type="checkbox"/> Stainless steel
LOWER FRONT PANEL COLOR	<input type="checkbox"/> Black	<input type="checkbox"/> Stainless steel (w/stainless ext. only)
END PANEL LEFT	<input type="checkbox"/> Full end panel w/stainless mirrored interior	<input type="checkbox"/> Cutaway end panel
END PANEL RIGHT	<input type="checkbox"/> Full end panel w/stainless mirrored interior	<input type="checkbox"/> Cutaway end panel
SHELVING	<input type="checkbox"/> Non-adjustable metal shelves, non-lighted	<input type="checkbox"/> Non-adjustable metal shelves, lighted (LED 3500K)
REFRIGERATION	<input type="checkbox"/> Breeze~E (Type-II) w/ EnergyWise s/c refrigeration	
MISCELLANEOUS		<input type="checkbox"/> Second year parts & labor warranty

Oasis®

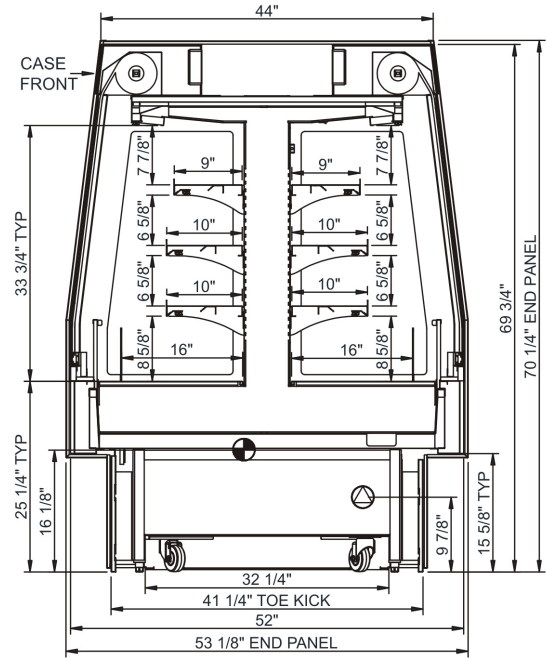
Product Specifications

Intended Environment: Type II - Designed to operate in ambient conditions of 80°F and 60% relative humidity unless noted otherwise in system information below.		Warmest Avg Prod Temp ° F
Zone	Intended Product To Be Displayed	
1	Packaged refrigerated products	40

PLAN VIEW



SIDE VIEW



NOTE: ALL DIMENSIONS APPROXIMATE

- ELECTRICAL JUNCTION BOX (SUPPLIED WITH 6" LEADS OR POWER CORD).
- LOCATION OF DRAIN TUBE FOR REMOTE REF. ONLY (SUPPLIED WITH 3/4" OR 1 1/2" PVC TUBE).

- REFRIGERATION LINE CONNECTION.
- REMOTE FLOOR SINK & UTILITIES ACCESS AREA.

- SELF-CONTAINED CASE SERVICE ACCESS AREA.
- DRY CASE SERVICE ACCESS AREA.

Model Technical Specifications

Model	L"	L1"	L2"	System	Circuit #1	Phs	Freq	Amps ***	Watts	Wires	NEMA Plug	SST	Conv. Rack BTUH	Para. Rack BTUH	Est Wt	
HEFSC463R	N/A	47.25	21.00	Self-Contained	Circuit #1	208-240	1	60	14.97	2,062	2+G	6-20P or L6-20P	N/A	N/A	N/A	1,300
HEFSC663R	N/A	75.50	3.50	Self-Contained	Circuit #1	208-240	1	60	24.00	3,018	2+G	6-30P or L6-30P	N/A	N/A	N/A	1,900

*** Does not include electric defrost on freezer models.

Important Notes:

- 1) ELECTRICAL NOTE: If GFCI is required, a GFCI breaker MUST be used in lieu of a GFCI receptacle
- 2) Electrical specs reflect highest Amp draw using lighted shelves option

⚠ WARNING: This product can expose you to chemicals, including Urethane (Ethyl Carbamate), which are known to the State of California to cause cancer and birth defects or other reproductive harm. For more information go to www.P65Warnings.ca.gov.

Regulatory Approvals:

All Models	Accordance with AHRI Std 1200 ETL Listed to UL 471 ETL Listed to CAN/CSA 22.2 No. 120 ETL Sanitation to NSF 7
------------	--



In Accordance with
AHRI Std 1200

DOE 2017
Energy Efficiency
Compliant