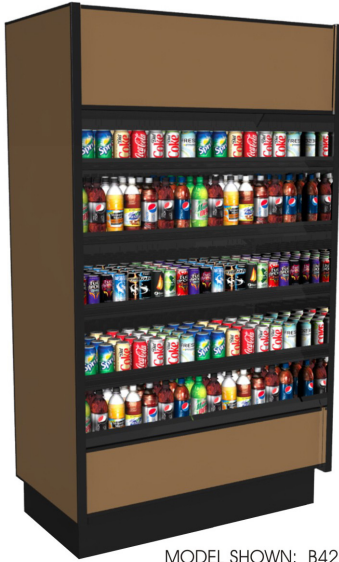


Refrigerated Self-Service Case - 25"D - Top Mount Compressor

- B424TM
- B824TM

Lengths include end panels
 47-1/8"L x 25"D x 81-7/8"H
 92-1/8"L x 25"D x 81-7/8"H



MODEL SHOWN: B424TM

STANDARD FEATURES

- Blue Fin coated coil
- Breeze w/EnergyWise s/c refrigeration
- Compressor air intake and discharge at top. Top of unit must remain completely open. (minimum 8" clearance above needed for compressor air discharge)
- Condensate pan (self-contained refrig. only)
- Full end panels w/mirror interior
- Integrated average product temperature of 40°F or less
- LED 4000K top light(s)
- One piece formed ABS plastic tub (n/a B824TM)
- One year parts & labor; 5 year compressor warranty
- Rail system for shims
- Removable deck pans provide complete access to evaporator coil & refrigeration connections
- Shelving removable and adjustable on 1" centers
- Solid back panel, black

Features	Standard	Options
EXTERIOR COLOR	<input type="checkbox"/> Laminated (non-premium) Confirm pattern/grain direction	<input type="checkbox"/> Laminated (premium) Confirm pattern/grain direction <input type="checkbox"/> Stainless steel
INTERIOR COLOR	<input type="checkbox"/> Black	<input type="checkbox"/> Stainless steel
LOWER FRONT PANEL COLOR	<input type="checkbox"/> Painted - Black	<input type="checkbox"/> Stainless steel (w/stainless ext. only)
SHELVING	<input type="checkbox"/> Metal shelves, non-lighted	<input type="checkbox"/> Metal shelves, lighted (LED 4000K)
ELECTRICAL CONNECT	<input type="checkbox"/> 6' Straight blade power cord (top exit)	<input type="checkbox"/> 6' Locking blade power cord (top exit) <input type="checkbox"/> Electrical leads (remote)
REFRIGERATION	<input type="checkbox"/> Breeze w/EnergyWise s/c refrigeration	<input type="checkbox"/> Note: Remote doesn't incl Conds unit. Floor drain reqd. <input type="checkbox"/> Remote w/thermostat, solenoid & TXV
MISCELLANEOUS		<input type="checkbox"/> Second year parts & labor warranty (excludes compressor)
ACCESSORIES		<input type="checkbox"/> Night curtain, retractable, non-locking <input type="checkbox"/> Price tag molding (matches interior color) <input type="checkbox"/> Solid security cover, removable, locking

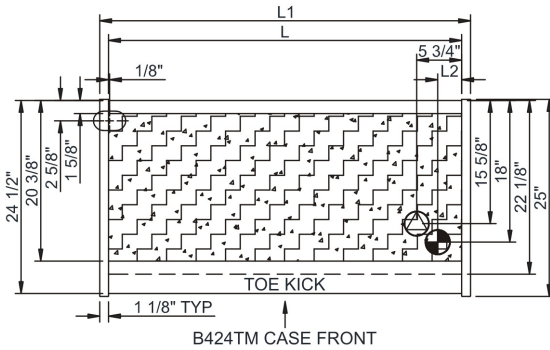
Oasis®

Product Specifications

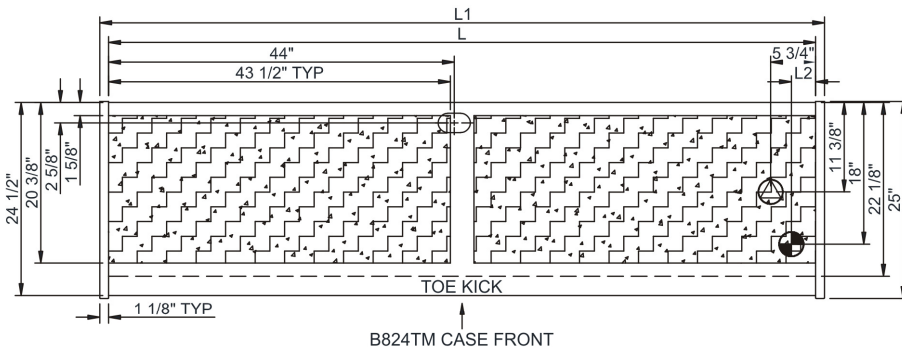
Intended Environment: Type I - Designed to operate in ambient conditions of 75°F with 55% relative humidity unless noted otherwise in system information below.		
Zone	Intended Product To Be Displayed	Warmest Avg Prod Temp ° F
1	Packaged refrigerated products	40

PLAN VIEW

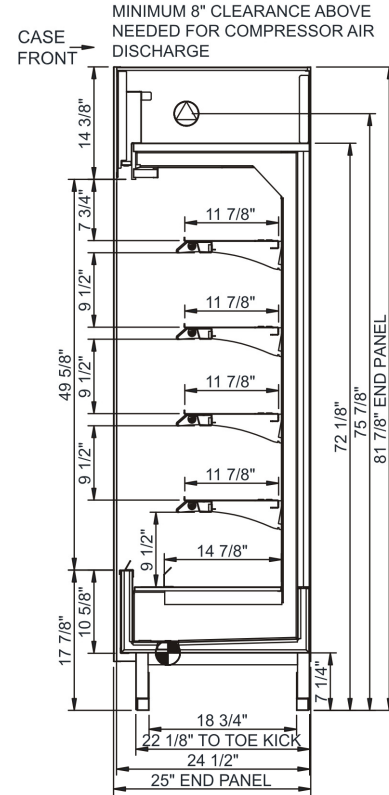
SIDE VIEW



B424TM CASE FRONT



B824TM CASE FRONT



NOTE: ALL DIMENSIONS APPROXIMATE

- ELECTRICAL JUNCTION BOX (SUPPLIED WITH 6" LEADS OR POWER CORD).
- LOCATION OF DRAIN TUBE FOR REMOTE REF. ONLY (SUPPLIED WITH 3/4" OR 1 1/2" PVC TUBE).

- REFRIGERATION LINE CONNECTION.
- REMOTE FLOOR SINK & UTILITIES ACCESS AREA.

- SELF-CONTAINED CASE SERVICE ACCESS AREA.
- DRY CASE SERVICE ACCESS AREA.

Model Technical Specifications

Model	L"	L1"	L2"	System Circuit Volts		Phs	Freq	Amps ***	Watts	Wires	NEMA Plug	SST	Conv. Rack BTUH	Para. Rack BTUH	Est Wt	
B424TM	N/A	47.13	3.00	Remote(Type I)	Circuit #1	110-120	1	60	2.00	213	2+G	Leads Multiple	20.00	6005	5560	950
				Self-Contained	Circuit #1	208-240	1	60	10.29	2,088	2+G	6-20P or L6-20P	N/A	N/A	N/A	
B824TM	N/A	92.13	5.50	Remote(Type I)	Circuit #1	110-120	1	60	2.92	310	2+G	Leads Multiple	20.00	12378	11461	1,400
				Self-Contained	Circuit #1	208-240	1	60	16.00	3,070	2+G	6-20P or L6-20P	N/A	N/A	N/A	

*** Does not include electric defrost on freezer models.

Regulatory Approvals:

All Models	Accordance with AHRI Std 1200 ETL Listed to UL 471 ETL Listed to CAN/CSA 22.2 No. 120 ETL Sanitation to NSF 7
------------	--



In Accordance with
AHRI Std 1200

DOE 2017
Energy Efficiency
Compliant

Important Notes:

- 1) ELECTRICAL NOTE: If GFCI is required, a GFCI breaker MUST be used in lieu of a GFCI receptacle
- 2) Top of unit must remain completely open.
- 3) Performance issues (product temperatures, water on floor, etc.) caused by adverse conditions are not covered by warranty.
- 4) Keep unit at least 15' from exterior doors, overhead HVAC vents, or any air curtain disruption.
- 5) End panels must be tightly joined or kept at least 6" away from any structure to prevent condensation.
- 6) Do not expose unit to direct sunlight or any heat source (ovens, fryers, etc.).
- 7) Tile floors, low ceilings, or small rooms will increase noise level.

⚠ WARNING: This product can expose you to chemicals, including Urethane (Ethyl Carbamate), which are known to the State of California to cause cancer and birth defects or other reproductive harm. For more information go to www.P65Warnings.ca.gov.