

## Specification/Data sheet

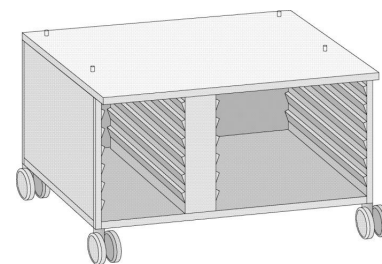
### Cabinet US 3 type 62/102 - Mobile



Article number: 60.30.340

#### Description

- Mobile
- 7 1/1 GN pairs rails
- 14 2/1 GN pairs rails
- Rail distance 65 mm
- Free space from lowest rack to the bottom plate 57 mm
- With top panel, side panels, intermediate bottom, deep-drawn shelf rests
- Adjustable feet
- Deep-drawn beaded side panels
- Weight 51 kg
- 1067(42) mm(inch)W x 989(38-7/8) mm(inch)D x 676(26-5/8) mm(inch)H



#### Difference to standard

- 4 Tandem steering casters (2 with brake - metal parts CNS)

#### Capacity (GN-container/grids)

- 1/1 GN Grid x 7
- 1/1 GN 20 mm deep x 7
- 1/1 GN 40 mm deep x 7
- 1/1 GN 65 mm deep x 7
- 1/1 GN 100 mm deep x 4
- 2/1 GN Grid x 7
- 2/1 GN 20 mm deep x 7
- 2/1 GN 40 mm deep x 7
- 2/1 GN 65 mm deep x 7
- 2/1 GN 100 mm deep x 4
- Use of other container sizes 1/1 GN, (2/4 GN, steam pans 12" x 20", sheet pans 18" x 26")

#### Material

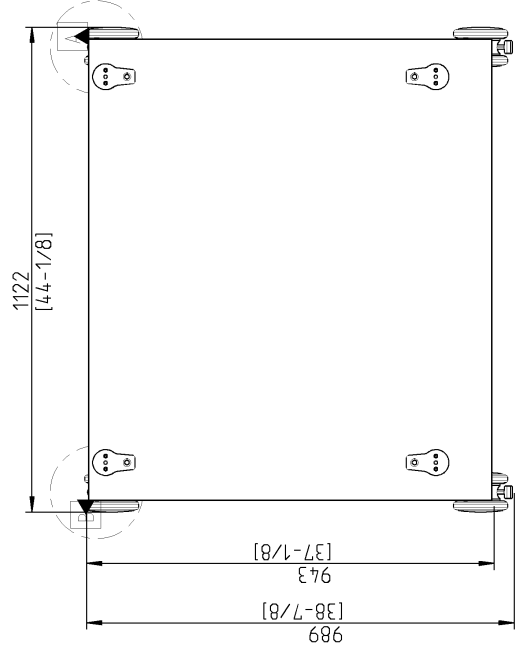
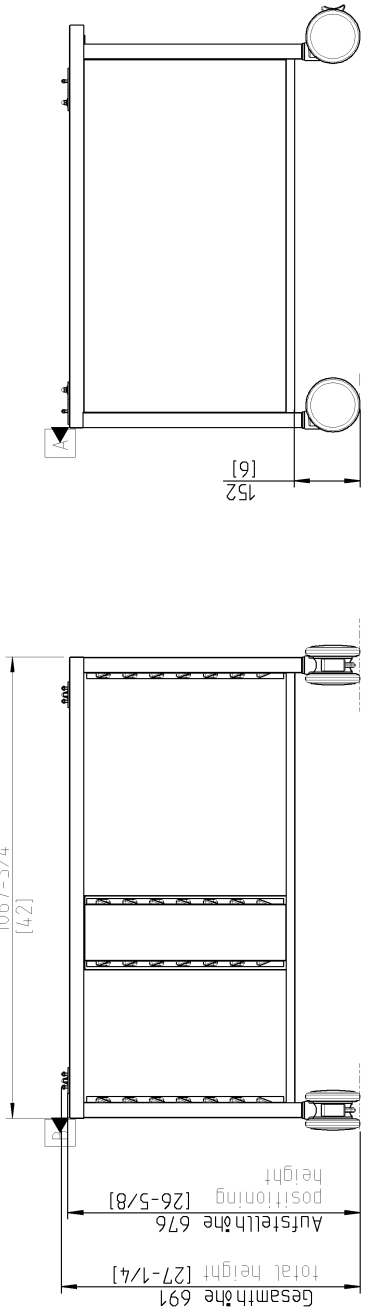
- CNS 1.4301 (CNS 304)

#### Hint

- To be delivered with fastening kit for mounting the unit on the cabinet

# Specification/Data sheet

## Cabinet US 3 type 62/102 - Mobile



mm [inch]

Technische Änderungen vorbehalten/technical variation reserved

**Zeichnungsdruck unterliegt nicht dem Änderungsdienst!**  
**Printed drawing is not automatically updated! La mise à jour n'est pas assurée sur les plans papier!**

Für diese Zeichnung behalten wir uns alle Rechte vor... urheberrechtlich geschützt / Copyright by RATIONAL AG...  
Reproduction is not permitted without the express written permission of RATIONAL AG.  
REPRODUCTION INTERDITE

Titel	revision/modification	date	name/author	date	revision/modification	date	name/author	date	revision/modification	date	name/author	date	revision/modification
Maßstab / Scale: US III fahrbar / US III mobile 1:10 Teilbezeichnung / part name / Désignation des: US III fahrbar / US III mobile / US III mobile Projekt / project / Projet: WAT7 Erzeugerleistung / producer / Sous-ensembles: 062/102 Zeichnungsnummer / drawing number / Numéro de plan: 84.00.570 Volumen / Volume: (cm³) Gewicht / weight: (kg)													
Spezifikation/0019 sheet/specifications: 0089_0x Artikelnummer / article number / No. DKS: - 60.30.340 Abbildung / Drawing / Dimensions: 1122x989x691 DIN-A3 Maßstab / Scale: 1:100													