



PO Box 575 • 2620 Industrial Avenue • Fairbury, Nebraska 68352  
Phone: 800-554-7267 • Fax: 402-729-4058 • www.PVIFS.com

Model \_\_\_\_\_

Quantity \_\_\_\_\_

Job No. \_\_\_\_\_

Options  Yes \_\_\_\_\_

## Aluminum Shelving Unit

### Bring Organization to the Clutter by Utilizing Our Shelving Unit!

Our three shelf shelving unit is ideal for storing your heavy products and industrial equipment. Manufactured from 12 gauge aluminum, each shelf is adjustable and fabricated with our new corner clip assembly. This unit's shelves are structurally designed with a flat surface for efficient cleaning and can support 600 pounds when evenly distributed per shelf. To accommodate every business need, this unit is offered in a variety of sizes with optional accessories.



### Our Guarantee

- Like all of our American made products, this equipment stand is designed to endure.
- Each item is thoroughly inspected before it's packaged.
- Every unit carries a **Lifetime Guarantee** against rust and corrosion.
- **Three-Year Guarantee** against material defects and workmanship.

We are proud to be one of the leading American manufacturers of food service equipment and ramps. Partnering with us means that we'll solve issues others have failed to address.



Model \_\_\_\_\_

Quantity \_\_\_\_\_

Job No. \_\_\_\_\_

Options  Yes \_\_\_\_\_

# Aluminum Shelving Unit

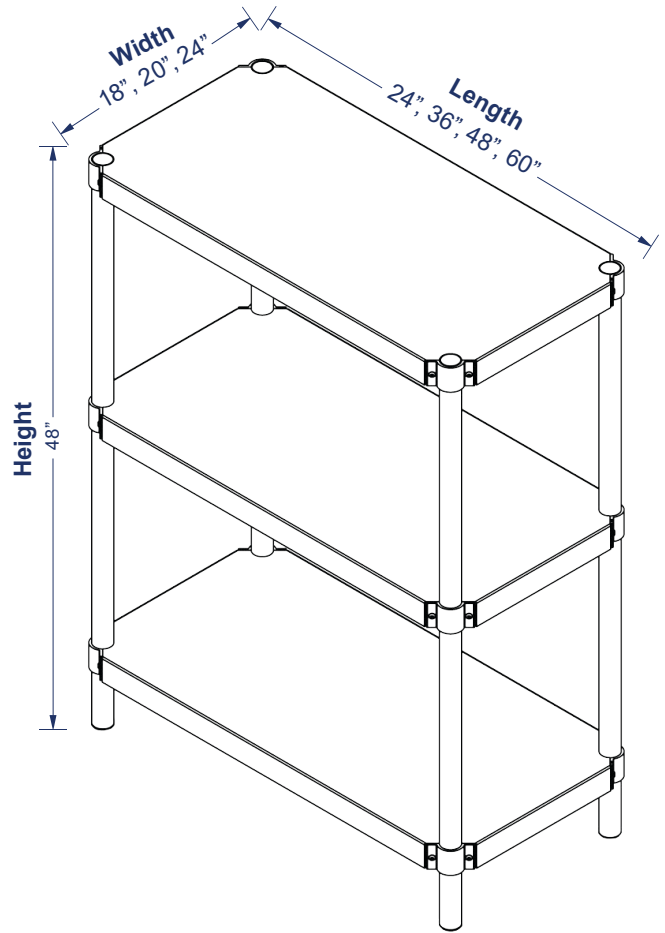
## Knock Down Stand

- Aluminum construction with adjustable shelves - Will not rust
- Smooth, easy clean, solid shelves
- 400lb weight capacity per shelf
- Easy corner clip assembly



## Three Shelf Stand

| MODEL NO. | DIMENSIONS (WxHxL) | WEIGHT (LBS) |
|-----------|--------------------|--------------|
| A184824-3 | 18" X 48" X 24"    | 25           |
| A184836-3 | 18" X 48" X 36"    | 31           |
| A184848-3 | 18" X 48" X 48"    | 39           |
| A184860-3 | 18" X 48" X 60"    | 43           |
| A204824-3 | 20" X 48" X 24"    | 26           |
| A204836-3 | 20" X 48" X 36"    | 33           |
| A204848-3 | 20" X 48" X 48"    | 40           |
| A204860-3 | 20" X 48" X 60"    | 46           |
| A244824-3 | 24" X 48" X 24"    | 31           |
| A244836-3 | 24" X 48" X 36"    | 37           |
| A244848-3 | 24" X 48" X 48"    | 45           |
| A244860-3 | 24" X 48" X 60"    | 52           |



## Optional Accessories

### Caster Kits

| MODEL NO. | PRODUCT   |
|-----------|---|
| CL2       | Two Swivel & Two Locking Stem Casters                       |
| CL4       | Four Locking Stem Casters                                   |
| CHV4      | Four Heavy Duty Swivel Stem Casters                         |
| CHL2      | Two Heavy Duty Swivel & Two Heavy Duty Locking Stem Casters |
| CHL4      | Four Heavy Duty Locking Stem Casters                        |

