

➤ **1" H x 1½" W Aluminum Slides**

Welded to Frame

➤ **Holds Following Pan Sizes by the Lip**

Full Size 20¾" x 12¾"

Half Size 10¾" x 12¾"

Two-Third Size 13⅞" x 12¾"

One-Third Size 6⅞" x 12¾"

➤ **5" Swivel Stem Casters (CV)**

➤ **"KD" Knock Down Rack**

Ships UPS in One Box

Assembles with 8 Fasteners

➤ **"W" All Welded Rack**

Reinforced Gusset Corners

Ships UPS

➤ **Optional**

Stainless, Poly or Aluminum Tops (ST, PT, AT)

Locking Casters (CL)

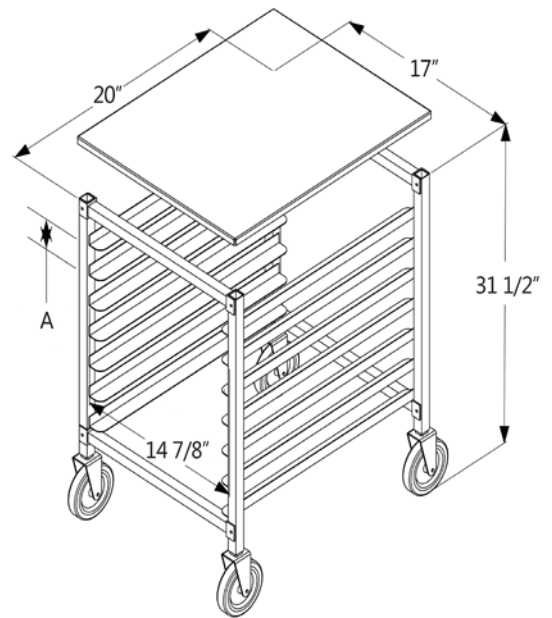
Heavy-Duty Swivel Casters (CHV)

Heavy-Duty Locking Casters (CHL)

Pan Stop (PS)



WE3020W-7-SP-ST
(Shown with optional stainless top)



Half Size Steam Table Pan Racks

Model Number	Description	"A" Shelf Spacing	Pan Capacity
WE3020KD-6-SP	"KD" End Load	3"	6
WE5020KD-4-SP	"KD" End Load	5"	4
WE3020W-6-SP	All Welded End Load	3"	6
WE5020W-4-SP	All Welded End Load	5"	4

Options: "CL", "CHV", "CHL", "PS", "AT", "ST", "PT" - see page 77 & 78 for details.