



PO Box 575 • 2620 Industrial Avenue • Fairbury, Nebraska 68352
Phone: 800-554-7267 • Fax: 402-729-4058 • www.PVIFS.com

Model _____

Quantity _____

Job No. _____

Options Yes _____

Equipment Stand

Store Your Products with Confidence on Our American made Equipment Stand!

Combine durability and functionality with our two shelf equipment stand. Manufactured from 12 gauge aluminum, each shelf is adjustable and made with our new corner clip assembly. With you in mind, we manufacture our shelves with a flat surface to make cleaning fast and efficient. Plus, this stand is capable of supporting 600 pounds when evenly distributed per shelf! To fit every facility need, this unit is offered in a variety of sizes with optional accessories.



Our Guarantee

- Like all of our American made products, this equipment stand is designed to endure.
- Each item is thoroughly inspected before it's packaged.
- Every unit carries a **Lifetime Guarantee** against rust and corrosion.
- **Three-Year Guarantee** against material defects and workmanship.

We are proud to be one of the leading American manufacturers of food service equipment and ramps. Partnering with us means that we'll solve issues others have failed to address.





Prairie View Industries

PO Box 575 • 2620 Industrial Avenue • Fairbury, Nebraska 68352
Phone: 800-554-7267 • Fax: 402-729-4058 • www.PVIFS.com

Model _____

Quantity _____

Job No. _____

Options Yes _____

Equipment Stand

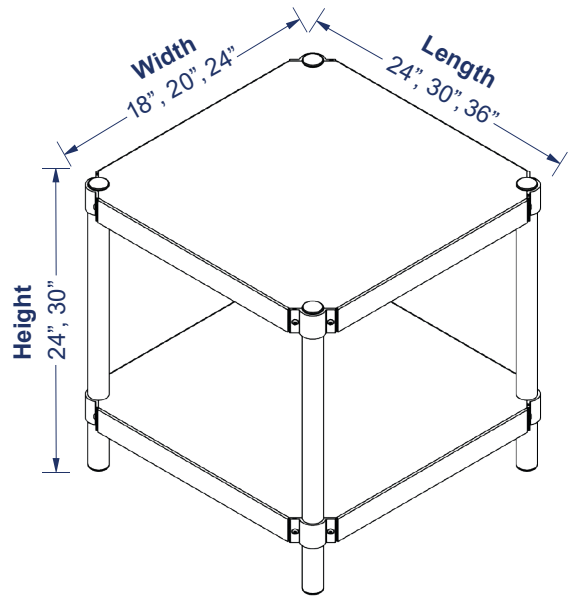
Knock Down Stand

- Aluminum construction with adjustable shelves - Will not rust
- Smooth, easy clean, solid shelves
- 600lb weight capacity per shelf
- Easy corner clip assembly
- Conveniently ships in one box

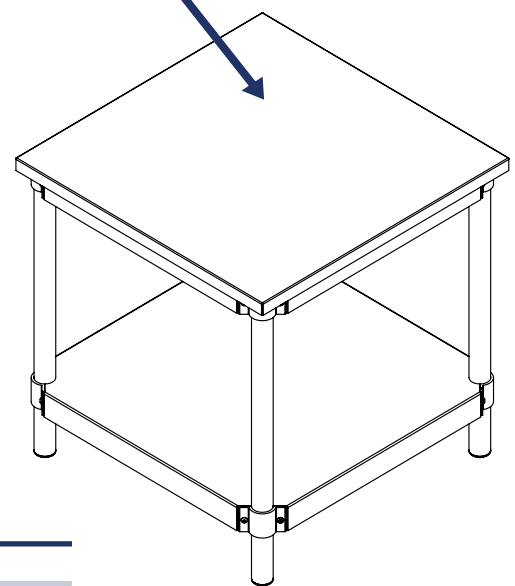


Two Shelf Stand

MODEL NO.	DIMENSIONS (WxHxL)	WEIGHT (LBS)
A182424-2	18" X 24" X 24"	15
A183024-2	18" X 30" X 24"	16
A182436-2	18" X 24" X 36"	19
A183036-2	18" X 30" X 36"	20
A202424-2	20" X 24" X 24"	16
A203024-2	20" X 30" X 24"	17
A202436-2	20" X 24" X 36"	20
A203036-2	20" X 30" X 36"	21
A242424-2	24" X 24" X 24"	19
A243024-2	24" X 30" X 24"	20
A242430-2	24" X 24" X 30"	23
A243030-2	24" X 30" X 30"	24
A242436-2	24" X 24" X 36"	26
A243036-2	24" X 30" X 36"	27



Optional Stainless Steel Top



Optional Accessories

16 Gauge Stainless Top

MODEL NO.	DIMENSIONS (WxL)	COMPATIBLE MODELS
1824ST	18" X 24"	A18**24-2
1836ST	18" X 36"	A18**36-2
2024ST	20" X 24"	A20**24-2
2036ST	20" X 36"	A20**36-2
2424ST	24" X 24"	A24**24-2
2430ST	24" X 30"	A24**30-2
2436ST	24" X 36"	A24**36-2

Caster Kits

MODEL NO.	PRODUCT
CL2	Two Swivel & Two Locking Stem Casters
CL4	Four Locking Stem Casters
CHV4	Four Heavy Duty Swivel Stem Casters
CHL2	Two Heavy Duty Swivel & Two Heavy Duty Locking Stem Casters
CHL4	Four Heavy Duty Locking Stem Casters



This information is for general sales use. Due to continual product improvement, all product details and prices are subject to change without notice.