



WALL MODELS - WM 6 - CODE 370

WM 9 - CODE 360

WM 12 - CODE 350



- HOLDING CAPACITY: WM 6 6 plates
WM 9 9 plates
WM 12 12 plates
- HEIGHT: WM 6 57 cm
WM 9 77 cm
WM 12 99 cm
- WIDTH: WM 6, WM 9, WM 12 7 cm
- NET WEIGHT: WM 6 1 kg
WM 9 1.5 kg
WM 12 1.9 kg
- GROSS WEIGHT: WM 6 1.2 kg
WM 9 1.8 kg
WM 12 2.2 kg
- BOX: WM 6 13 X 13 X 62 cm
WM 9 13 X 13 X 82 cm
WM 12 13 X 13 X 103 cm

cm

1 KG= 2.2 LBS

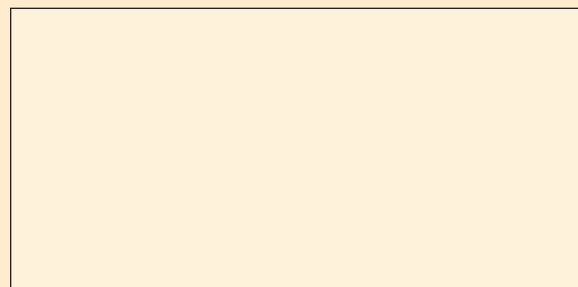
1 Inch=2.54 cm

PLATE MATE wall models have been designed for small kitchens used for professional as well as private purposes..

The models are supplied in three different sizes with capacities of 6, 9 and 12 plates. Hardware for attaching the units is enclosed. You can attach the models permanently to the wall itself, or you can attach them to a stand-alone holder which can then be hung on the wall. This allows you to use this unit both as a table and as a wall model. The unit can be cleaned in the dishwasher or with a soap solution and a brush.

*Our smallest
Plate Mate can be
your biggest help!*

www.plate-mate.com



The Product Group, Inc.
Canton, Ohio

1-800-860-6283
www.plate-mate.com



WALL MODELS - WM 6 - CODE 370

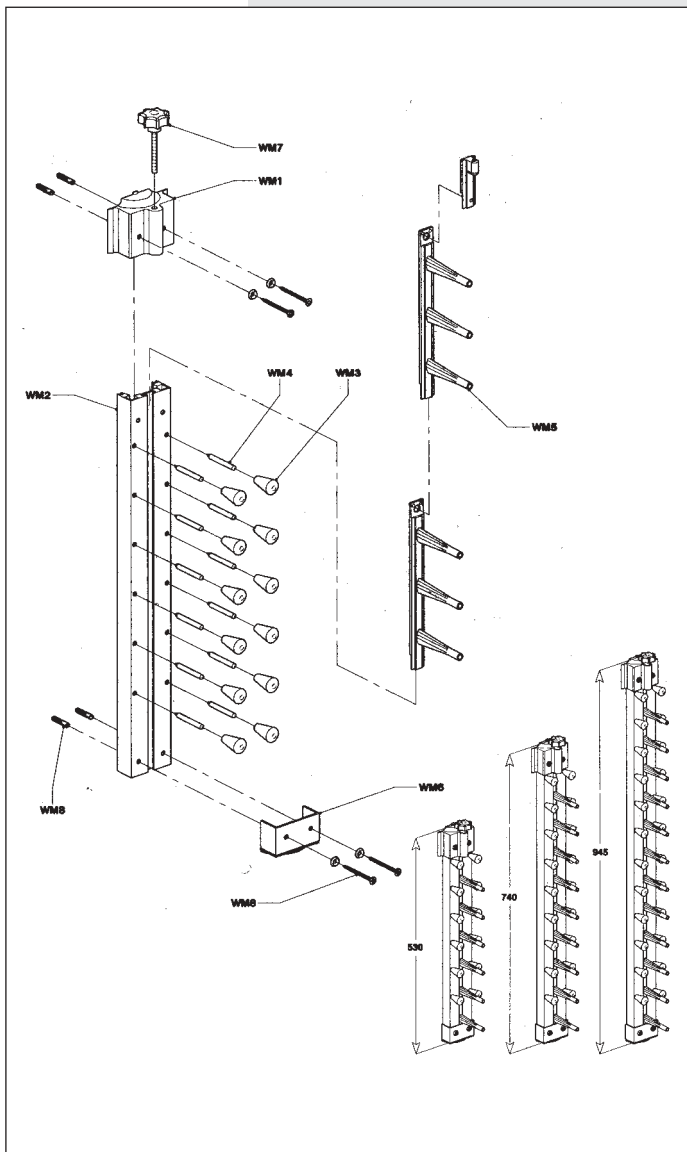
WM 9 - CODE 360

WM 12 - CODE 350

ASSEMBLY

Take the wall model out of the box. Draw the holes in the head and the foot onto the corresponding places on the wall where you plan to attach the unit.

Drill the holes, insert the plugs and screw the wall model onto the wall. As an alternative, the wall model can be screwed onto a wooden or plastic board and the whole unit hung from the wall. The advantage of this method is ease of cleaning and the fact that it can be attached and used in several places.



PARTS LIST FOR WALL MOUNTS

Part Name	Part No.	Quantity
Head	WM1	1
Column 6/9/12	WM2	1
Red shuttle	WM3	DIV.
Shuttle pin	WM4	DIV.
Bracket set	WM5	DIV.
Foot	WM6	1
Adjusting screw - M6 X 60	WM7	1
Set of fasteners	WM8	1